

MICRO SWITCH
a Honeywell Division

FED. MFG. CODE 91929

BRIDGE PRESSURE SENSOR

176PCH SERIES CHART 1

CATALOG LISTING

THIS DRAWING COVERS A PROPRIETARY ITEM AND IS THE PROPERTY OF MICRO SWITCH. A DIVISION OF HONEYWELL. THIS DRAWING IS NOT TO BE COPIED OR USED WITHOUT THE APPROVAL OF MICRO SWITCH

GENERAL OPERATING CHARACTERISTICS
(ELECTRICAL PERFORMANCE AT 10.00±0.01 VDC EXCITATION, 25°C)

CATALOG LISTING	
①	176PC07HD2
	176PC14HG2
	176PC14HD2
	176PC28HG2
	176PC28HD2

PARAMETERS	PRESSURE RANGES (H ₂ O)	MIN	TYP	MAX	UNITS
NULL OFFSET	ALL	-2	0	+2	mV
NULL SHIFT $\triangle 2$ 0° ← 25° C → 50°			±3.0		
(P ₂ > P ₁) SPAN $\triangle 1$	0 TO 28 D&G	40	42	44	mV
	0 TO 14 D&G	33	35	37	
	0 TO 07 D&G	26	28	30	
(P ₂ > P ₁) SENSITIVITY PER IN. H ₂ O	0 TO 28 D&G		1.5		%SPAN
	0 TO 14 D&G		2.5		
	0 TO 07 D&G		4.0		
SPAN SHIFT $\triangle 2$ 0° ← 25° C → 50° AT 10 VDC AT 2mA	ALL			±3.5	%SPAN
			NONE		
LINEARITY (BFSL) (P ₂ > P ₁) (P ₁ > P ₂) (P ₂ > P ₁) (P ₁ > P ₂) (P ₂ > P ₁) (P ₁ > P ₂)	0 TO 28 D&G			±3.0	%SPAN
	0 TO 28 D			±1.5	
	0 TO 14 D&G			±3.0	
	0 TO 14 D			±1.5	
	0 TO 07 D&G			±3.0	
REPEATABILITY & HYSTERESIS	ALL			±0.25	%SPAN
STABILITY OVER 1 YEAR				±1.5	%SPAN
EXCITATION VOLTAGE			10	16	VDC
INPUT RESISTANCE			6.3K		OHMS
(P ₂ > P ₁) (P ₁ > P ₂) OVERPRESSURE	0 TO 28 D&G			140	IN. H ₂ O
	0 TO 14 D&G			140	
	0 TO 07 D&G			140	
TEMPERATURE STORAGE	ALL	-55° TO +125°C (-67° TO +257°F)			
OPERATE		-40° TO +85°C (-40° TO +185°F)			
COMPENSATED		0°C TO +50°C (+32° TO +122°F)			

CATALOG LISTING
176PCH SERIES CHART 1

PAGE 1 OF 1

ISSUE
7

CMH

CHECK

REVISIONS

A 201670
TSM
15NOV00

B 205984
DLT
15 JUL 02

C 0033081
DDN
27 AUG 07

CHECK

15NOV00

SAV

CHECK

15NOV00

PTC/CAD 2D

DRAWN

REPLACES

RELEASE NO. CO-74682

27 AUG 07

CHECK

15NOV00

SAV

CHECK

15NOV00

SAV

CHECK

15NOV00

SAV

CHECK

15NOV00

SAV

CHECK

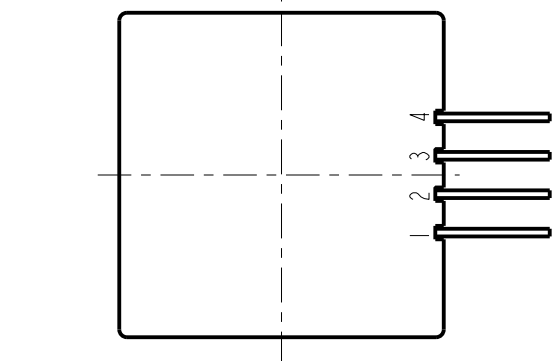
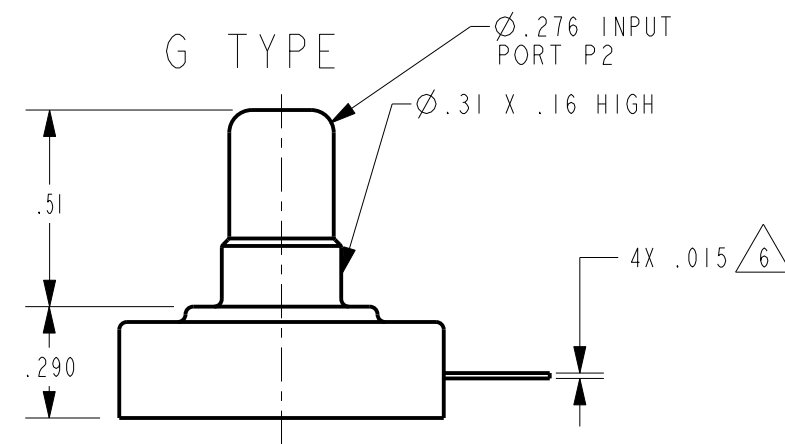
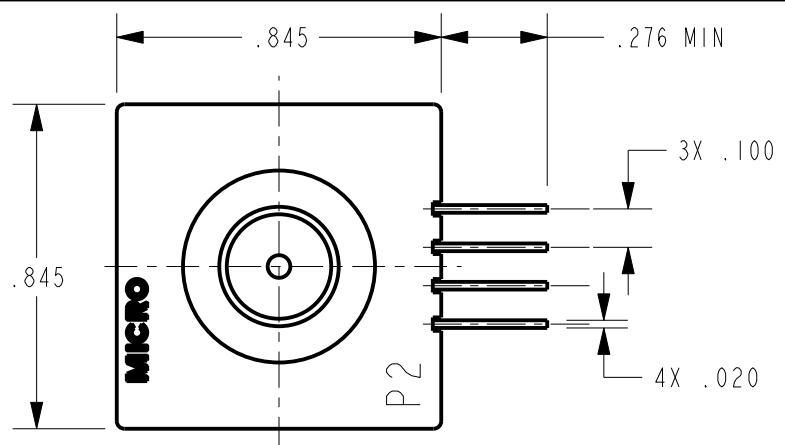
15NOV00

SAV

CHECK

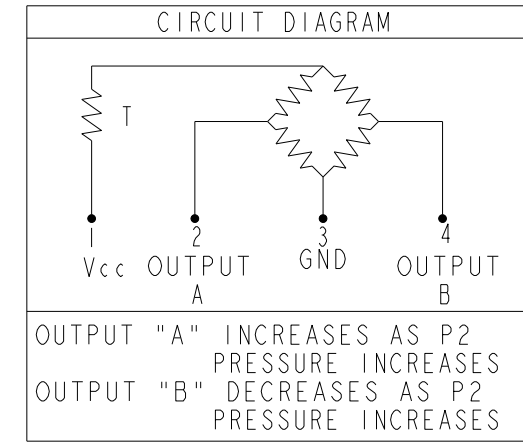
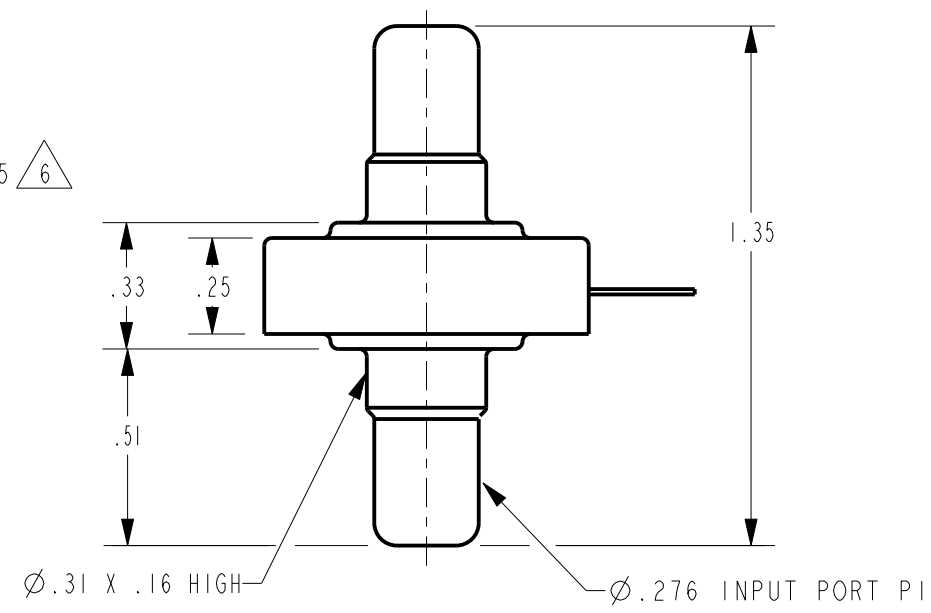
15NOV00

SAV



- NOTES**
- SPAN IS THE ALGEBRAIC DIFFERENCE BETWEEN END POINTS (OUTPUT AT MINIMUM AND MAXIMUM PRESSURE)
 - TEMPERATURE ERROR IS CALCULATED WITH RESPECT TO 25°C AND EXPRESSES THE DEVIATION THAT COULD OCCUR AS TEMPERATURE IS RAISED OR LOWERED TO LIMITS INDICATED
 - INPUT MEDIA: P₁ - DRY GASES ONLY: CONNECTION SIDE OF SENSOR
P₂ - LIMITED ONLY TO THOSE MEDIA THAT WILL NOT ATTACK POLYESTER, SILICON OR SILICONE BASED ADHESIVE
 - TERMINALS ARE PLATED FOR SOLDERING
 - LIMIT SOLDERING TO 315°C FOR 10 SECONDS MAX
 - LISTINGS ENDING WITH THE NUMBER 2 INDICATES STRAIGHT LEADS

D TYPE



THIRD ANGLE PROJECTION

SCALE 2 : 1

DO NOT SCALE PRINT

UNLESS OTHERWISE SPECIFIED TOLERANCES ARE

ONE PLACE (.0)	±.030
TWO PLACE (.00)	±.015
THREE PLACE (.000)	±.005
ANGLES	±

WEIGHT 2 OZ

X-ON Electronics

Largest Supplier of Electrical and Electronic Components

Click to view similar products for [Board Mount Pressure Sensors](#) category:

Click to view products by [Honeywell](#) manufacturer:

Other Similar products are found below :

[6407-249V-17343P](#) [6407-250V-09273P](#) [80527-25.0H2-05](#) [80541-B00000150-01](#) [80541-B00000200-05](#) [80554-00700100-05](#) [80568-00300050-01](#) [93.631.4253.0](#) [93.731.4353.0](#) [93.932.4553.0](#) [136PC150G2](#) [136PC15A1](#) [142PC95AW71](#) [142PC05DW70](#) [15PSI-G-4V](#) [1805-01A-L0N-B](#) [26PCBKT](#) [26PCCFA6D26](#) [26PCCFS2G](#) [26PCCVA6D](#) [93.632.7353.0](#) [93.731.3653.0](#) [93.931.4853.0](#) [93.932.4853.0](#) [SCDA120-XSC05DC](#) [185PC30DH](#) [20INCH-G-MV-MINI](#) [26PCAFJ3G](#) [26PCCEP5G24](#) [26PCDFA3G](#) [26PCJEU5G19](#) [ASCX15AN-90](#) [TSCSAAN001PDUCV](#) [DCAL401DN](#) [DCAL401GN](#) [XZ202798SSC](#) [XZ203676HSC](#) [6407-249V-09343P](#) [6407-250V-17343P](#) [SP370-25-116-0](#) [81794-B00001200-01](#) [HSCDLNN100PGAA5](#) [82681-B00000100-01](#) [81618-B00000040-05](#) [SSCDJNN015PAAA5](#) [TSCDLNN100MDUCV](#) [TSCSAAN100PDUCV](#) [NBPDANN015PGUNV](#) [NBPLLNS150PGUNV](#) [142PC100D](#)