

17HM6

CATALOG LISTING

PAGE 1 OF 1

REPLACES

RELEASE NO. CO-92283

**M**

ISSUE 4

CHECK

REVISIONS  
A CO 92283  
LJK  
28 JAN 98

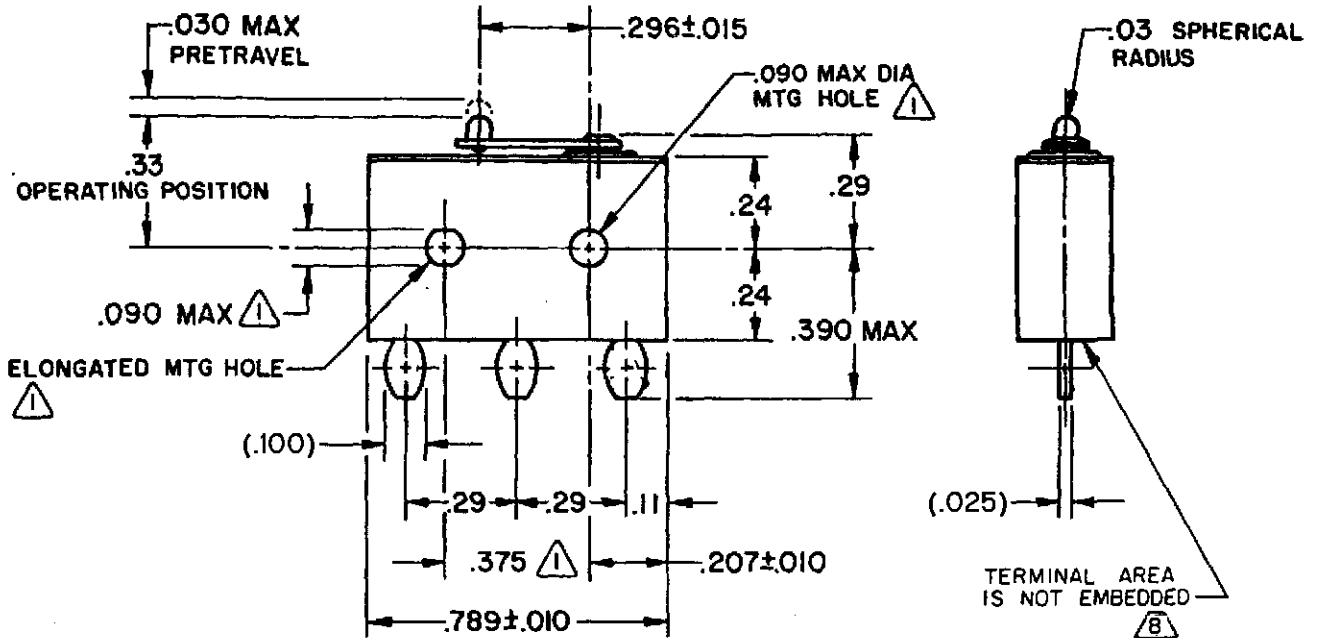
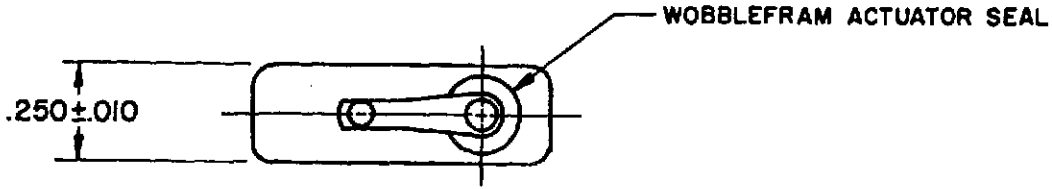
CHECK

CHECK

28 JAN 98

FORMTEK

DRAWN



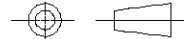
**NOTES**

- 1 MOUNTING HOLES WILL ACCEPT PINS OR SCREWS OF .087 MAX DIA ON .375 ± .002 CENTERS
- 2 - FOR USE IN TEMPERATURE RANGE -300°F TO +500°F
- 3 - HERMETICALLY SEALED (METAL-TO-METAL, GLASS-TO-METAL)
- 4 - ALL EXPOSED PARTS ARE OF CORROSION RESISTANT MATERIALS EXCEPT NICKEL PLATED COLD ROLLED STEEL HEADER
- 5 - DO NOT APPLY MORE THAN 1 1/2 INCH-POUNDS OF TORQUE WHEN TIGHTENING MOUNTING SCREWS
- 6 - GOLD ALLOY STATIONARY CONTACTS
- 7 - 24K GOLD MOVABLE CONTACT
- 8 MICRO SWITCH RECOMMENDS POTTING TERMINAL AREA AFTER LEAD WIRES ARE ATTACHED

ANSI Y14.5M-1982 APPLIES

THIS DRAWING COVERS A PROPRIETARY ITEM AND IS THE PROPERTY OF MICRO SWITCH, A DIVISION OF HONEYWELL. THIS DRAWING IS NOT TO BE COPIED OR USED WITHOUT THE APPROVAL OF MICRO SWITCH.

THIRD ANGLE PROJECTION



**CHARACTERISTICS**

OPERATING FORCE ----- 7 OZ MAX  
RELEASE FORCE ----- 1 OZ MIN  
DIFFERENTIAL TRAVEL ---- .0003-.0040  
OVERTRAVEL ----- .003 MIN

**ELECTRICAL DATA**

CONTACT ARRANGEMENT  
**S P D T**  
**28 VOLTS DC RATING**  
INDUCTIVE-----SEA LEVEL --1/4 AMP  
70,000 FT-- 1/4 AMP  
RESISTIVE-----SEA LEVEL--- 1 AMP  
70,000 FT--- 1 AMP

SCALE **2:1**

DO NOT SCALE PRINT

**UNLESS OTHERWISE SPECIFIED TOLERANCES ARE**  
ONE PLACE (.0) ± .030  
TWO PLACE (.00) ± .015  
THREE PLACE (.000) ± .005  
ANGLES ±  
WEIGHT **.014 LB MAX**

## X-ON Electronics

Largest Supplier of Electrical and Electronic Components

*Click to view similar products for [Basic / Snap Action Switches](#) category:*

*Click to view products by [Honeywell](#) manufacturer:*

Other Similar products are found below :

[5SM901-S12](#) [5SM9-S12N195](#) [01.098.1358.1](#) [602EN532](#) [602EN535-RB](#) [602HE5-RB1](#) [604HE162](#) [604HE223-6B](#) [624HE17-RB](#) [6HM82](#)  
[6HM89](#) [6SE1](#) [6SX1-H58](#) [70500216](#) [70599106](#) [MBD5B1](#) [MBH2731](#) [73-316-0012](#) [EXD-AR20](#) [79211923](#) [79218589](#) [7AS12](#)  
[MIL30126AB6BBMD4A12XAU](#) [ML-1155](#) [ML-1376](#) [831010C3.0](#) [831090C2.EL](#) [83131904](#) [84212012](#) [8AS239](#) [8HM73-3](#) [8SX26-H33](#)  
[914CE1-6G](#) [PL-100](#) [11SM1077-H4](#) [11SM1077-H58](#) [11SM1-TN107](#) [11SM405](#) [11SM8423-H2](#) [11SX37-T](#) [11SX48-H58](#) [11SM2442-T](#)  
[11SM76-T](#) [11SM77-H58](#) [11SM77-T](#) [11SM863-T](#) [11SM866](#) [A7CN-1M-1-LEFT](#) [A831700C7.0](#) [121EN187-R](#)