

MICRO SWITCH

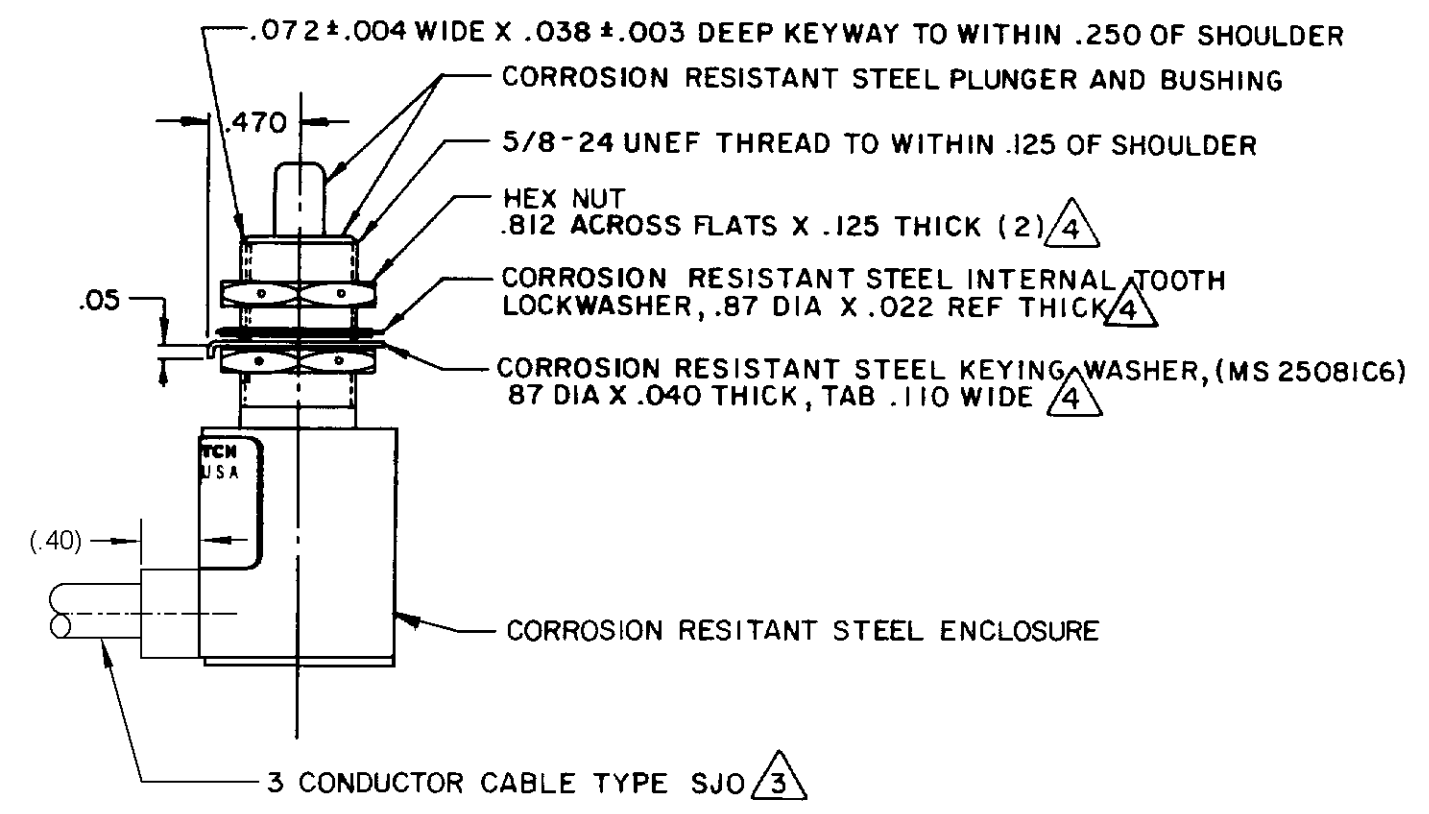
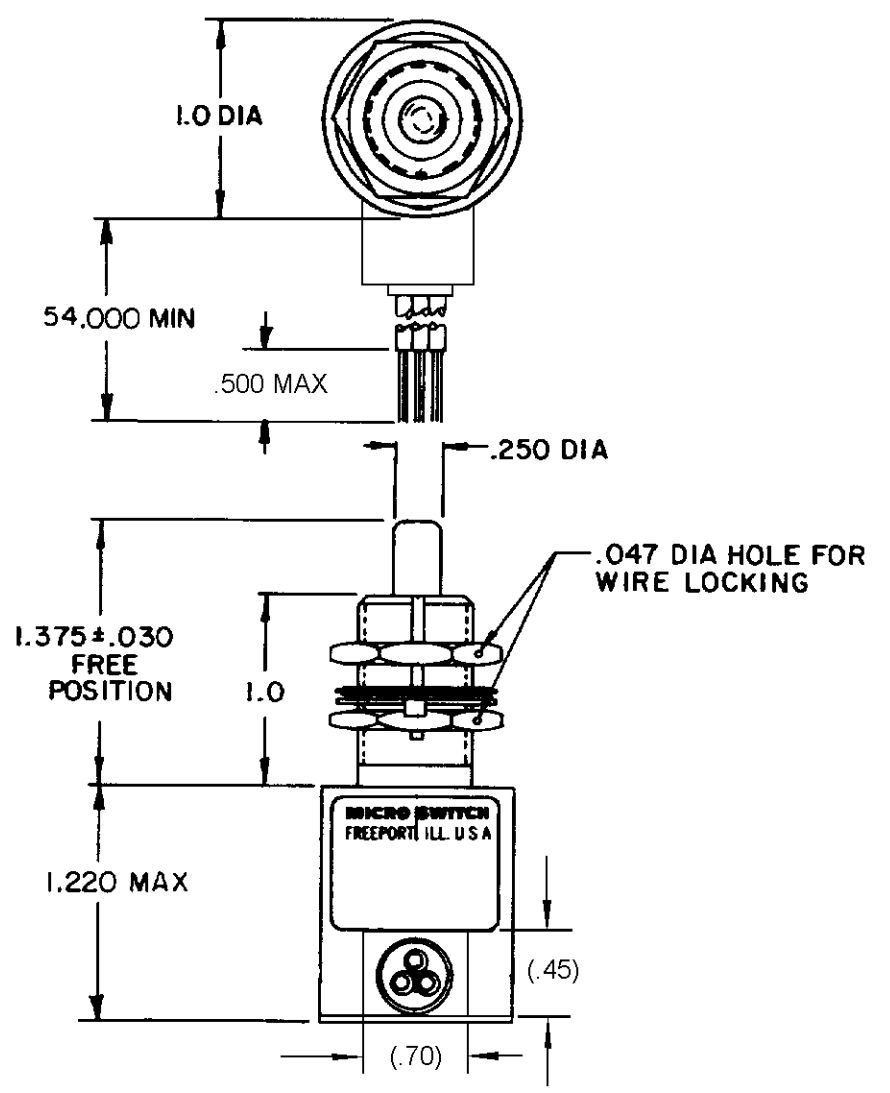
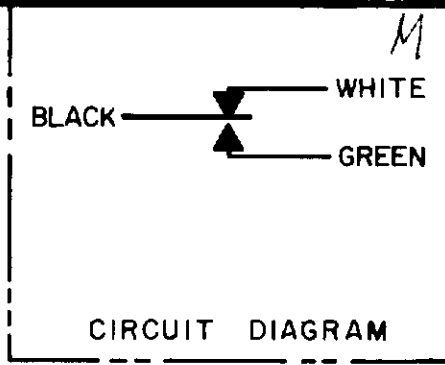
FREEPORT ILLINOIS U S A
A DIVISION OF HONEYWELL

FED MFG CODE 91929

SWITCH - ENCLOSED

CATALOG LISTING

1CH111



RASTER
 FO-92851-B
 DRAWN
 J A S 30 SEPT 86
 CHECK KAG 3 OCT 86
 KSR 27 OCT 05
 E 0016449
 18 MAY 94
 D 77804-B
 28 OCT 92
 L J F
 C 074101
 28 JAN 93
 G L L
 28 OCT 92
 B 0073770
 L J F
 15 APR 88
 Y S R
 A 0063259
 15 APR 88
 Y S R
 ISSUE X X X
 X X X
 X X X
 DRAWING NUMBER M 1CH111
 REPLACES 27OCT05
 RELEASE NO. PR-15094

THIS DRAWING COVERS A PROPRIETARY ITEM AND IS THE PROPERTY OF MICRO SWITCH A DIVISION OF HONEYWELL THIS DRAWING IS NOT TO BE COPIED OR USED WITHOUT THE APPROVAL OF MICRO SWITCH

| CHARACTERISTICS | |
|-----------------------|-----------|
| OPERATING FORCE | 6-12 LB |
| FULL OVERTRAVEL FORCE | 30 LB MAX |
| RELEASE FORCE | 4 LB MIN |
| PRETRAVEL | .040 MAX |
| DIFFERENTIAL TRAVEL | .020 MAX |
| OVERTRAVEL | .250 MIN |

| ELECTRICAL DATA | | |
|---------------------|-----------|------------|
| CONTACT ARRANGEMENT | | |
| S P D T | | |
| LOAD | 28 VDC | |
| | SEA LEVEL | 50,000 FT. |
| RES | 4 | 4 |
| IND | 2 | 2 |
| MOTOR | 4 | |

| SCALE FULL | | | |
|---|--------|--|--------|
| DO NOT SCALE PRINT | | | |
| TOLERANCES | | | |
| APPLY TO DESIGN UNITS. CONVERSIONS ARE ONLY FOR REFERENCE UNLESS NOTED. TOLERANCES ARE: | | | |
| DIM | TOL | DIM | TOL |
| mm | mm/in | in | mm/in |
| NO PLACES | ± .04 | ± .005 | ± .005 |
| ONE PLACE | ± .016 | ± .005 | ± .005 |
| TWO PLACES | ± .008 | ± .005 | ± .005 |
| THREE PLACES | ± .004 | ± .005 | ± .005 |
| ANGLES | | | |
| DESIGN UNITS | | <input type="checkbox"/> SI METRIC <input checked="" type="checkbox"/> US CUSTOMARY | |
| THIRD ANGLE PROJECTION | | | |
| | | | |
| WEIGHT | | 8.6 OZ MAX | |

- NOTES**
- SWITCH SEALED PER MIL-PRF-8805 SYMBOL 3
 - CIRCUIT DIAGRAM, CATALOG LISTING AND DATE CODE ARE SHOWN ON NAMEPLATE
 - WIRE LEADS COLOR CODED TO SHOW LEAD IDENTIFICATION
 - HARDWARE MAY BE PACKAGED UNASSEMBLED PER MIL-PRF-8805

X-ON Electronics

Largest Supplier of Electrical and Electronic Components

Click to view similar products for [Limit Switches](#) category:

Click to view products by [Honeywell](#) manufacturer:

Other Similar products are found below :

[5ML1-E1](#) [5ML31](#) [LZG1](#) [LZL1-6C](#) [622EN114-R](#) [622EN18-6](#) [622EN224-6B](#) [622EN230](#) [622EN237-R](#) [622EN69-3](#) [622EN85-RB](#) [MA-10019](#)
[6PA109](#) [7LS51](#) [83547001](#) [83725002](#) [83830001](#) [83840701](#) [83841001](#) [83881140](#) [8AS42](#) [8LS10](#) [8LS125-4PG](#) [8LS152-4PGN20](#) [914CE16-](#)
[3A](#) [914CE3-3L1](#) [915PA10](#) [91MCE16-P2O](#) [924CE16-Y3](#) [924CE1-S6](#) [924CE1-T25A](#) [924CE1-T3](#) [924CE1-T9A](#) [924CE2-T9](#) [924CE31-Y20-](#)
[X5](#) [924CE31-Y3L1](#) [GL-10054](#) [GLAB26J2B](#) [GLDB03C-6](#) [GLDC05C](#) [GLZ324](#) [PS21R-NT11N7-YK0](#) [H3141CAKAA](#) [RDI-G-L5B](#) [DD-](#)
[10000](#) [DT-2R3-A7](#) [14CE16-3N28](#) [14CE18-N15](#) [151ML3-E1](#) [E3102BAAAA](#)