

(M) X27705
ISSUE 1

MICRO SWITCH
a Honeywell Division
FED. MFG. CODE 91929

SWITCH - ENCLOSED

CATALOG LISTING
1CH1-6

CATALOG LISTING
1CH1-6

REPLACES
RELEASE NO. SR 10857

ISSUE
16

REVISIONS
A CO-77504-A
S A V
12 MAR 94

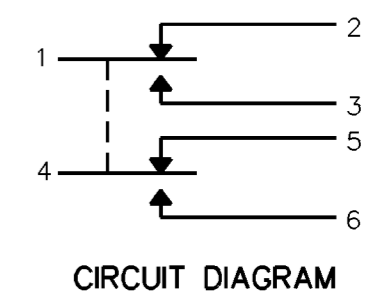
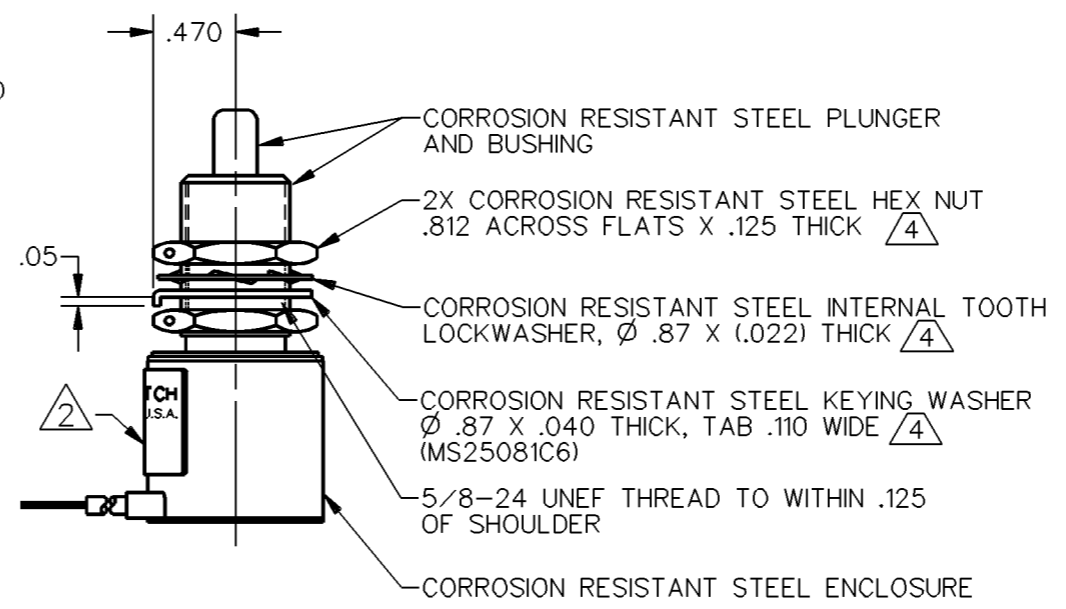
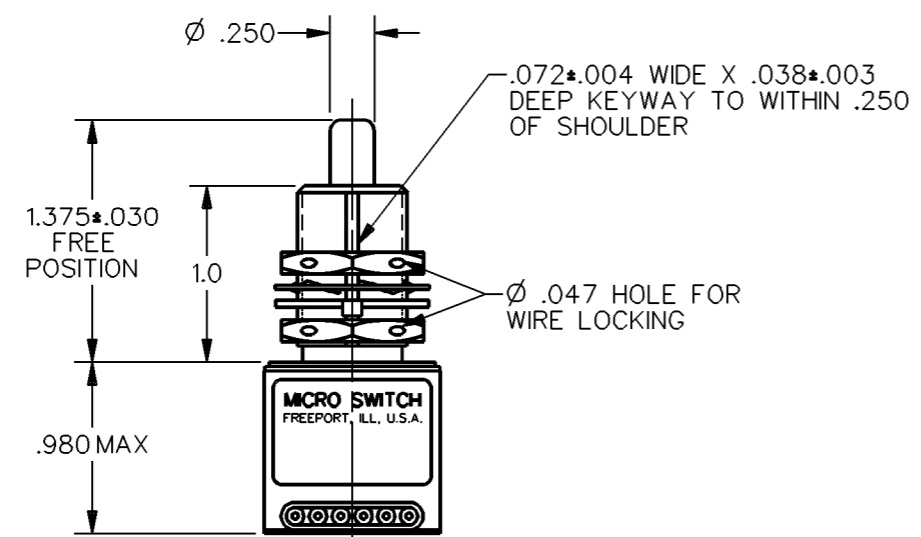
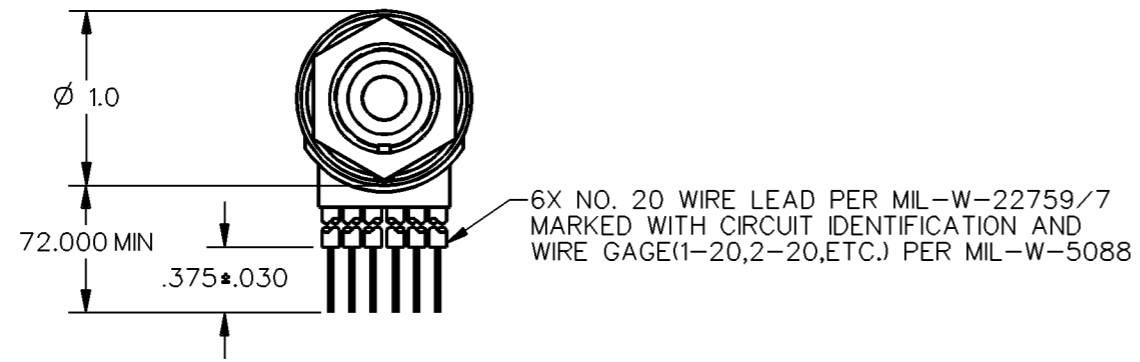
CHECK

CHECK

CHECK

DDM/CAD
DRAWN

SAV 12 MAR 94



THIS DRAWING COVERS A PROPRIETARY ITEM AND IS THE PROPERTY OF MICRO SWITCH, A DIVISION OF HONEYWELL. THIS DRAWING IS NOT TO BE COPIED OR USED WITHOUT THE APPROVAL OF MICRO SWITCH

CHARACTERISTICS		ELECTRICAL DATA	
OPERATING FORCE	6-12 LB	CONTACT ARRANGEMENT 2X SPDT	
FULL OVERTRAVEL FORCE	30 LB MAX	28 VDC	
RELEASE FORCE	4 LB MIN	LOAD	SEA LEVEL 50,000 FT.
PRETRAVEL	.040 MAX	RES	4 4
DIFFERENTIAL TRAVEL	.020 MAX	IND	2 2
OVERTRAVEL	.250 MIN	MOTOR	4

THIRD ANGLE PROJECTION	
SCALE	FULL
DO NOT SCALE PRINT	
UNLESS OTHERWISE SPECIFIED TOLERANCES ARE	
ONE PLACE	(.0) ± .030
TWO PLACE	(.00) ± .015
THREE PLACE	(.000) ± .005
ANGLES	±
WEIGHT	7.0 OZ MAX

ANSI Y14.5M-1982 APPLIES

- NOTES
- 1 - SWITCH SEALED PER MIL-S-8805, SYMBOL 3
 - 2 - MICRO IDENTIFICATION, CIRCUIT DIAGRAM, CATALOG LISTING AND DATE CODE ARE SHOWN ON NAMEPLATE
 - 3 - COINCIDENCE OF OPERATING AND RELEASING POINTS: .010 OF PLUNGER TRAVEL
 - 4 - HARDWARE MAY BE PACKAGED UNASSEMBLED PER MIL-S-8805

X-ON Electronics

Largest Supplier of Electrical and Electronic Components

Click to view similar products for [Limit Switches](#) category:

Click to view products by [Honeywell](#) manufacturer:

Other Similar products are found below :

[5ML1-E1](#) [5ML31](#) [LZG1](#) [LZL1-6C](#) [622EN114-R](#) [622EN18-6](#) [622EN224-6B](#) [622EN230](#) [622EN237-R](#) [622EN69-3](#) [622EN85-RB](#) [MA-10019](#)
[6PA109](#) [7LS51](#) [83547001](#) [83725002](#) [83830001](#) [83840701](#) [83841001](#) [83881140](#) [8AS42](#) [8LS10](#) [8LS125-4PG](#) [8LS152-4PGN20](#) [914CE16-](#)
[3A](#) [914CE3-3L1](#) [915PA10](#) [91MCE16-P2O](#) [924CE16-Y3](#) [924CE1-S6](#) [924CE1-T25A](#) [924CE1-T3](#) [924CE1-T9A](#) [924CE2-T9](#) [924CE31-Y20-](#)
[X5](#) [924CE31-Y3L1](#) [GL-10054](#) [GLAB26J2B](#) [GLDB03C-6](#) [GLDC05C](#) [GLZ324](#) [PS21R-NT11N7-YK0](#) [H3141CAKAA](#) [RDI-G-L5B](#) [DD-](#)
[10000](#) [DT-2R3-A7](#) [14CE16-3N28](#) [14CE18-N15](#) [151ML3-E1](#) [E3102BAAAA](#)