

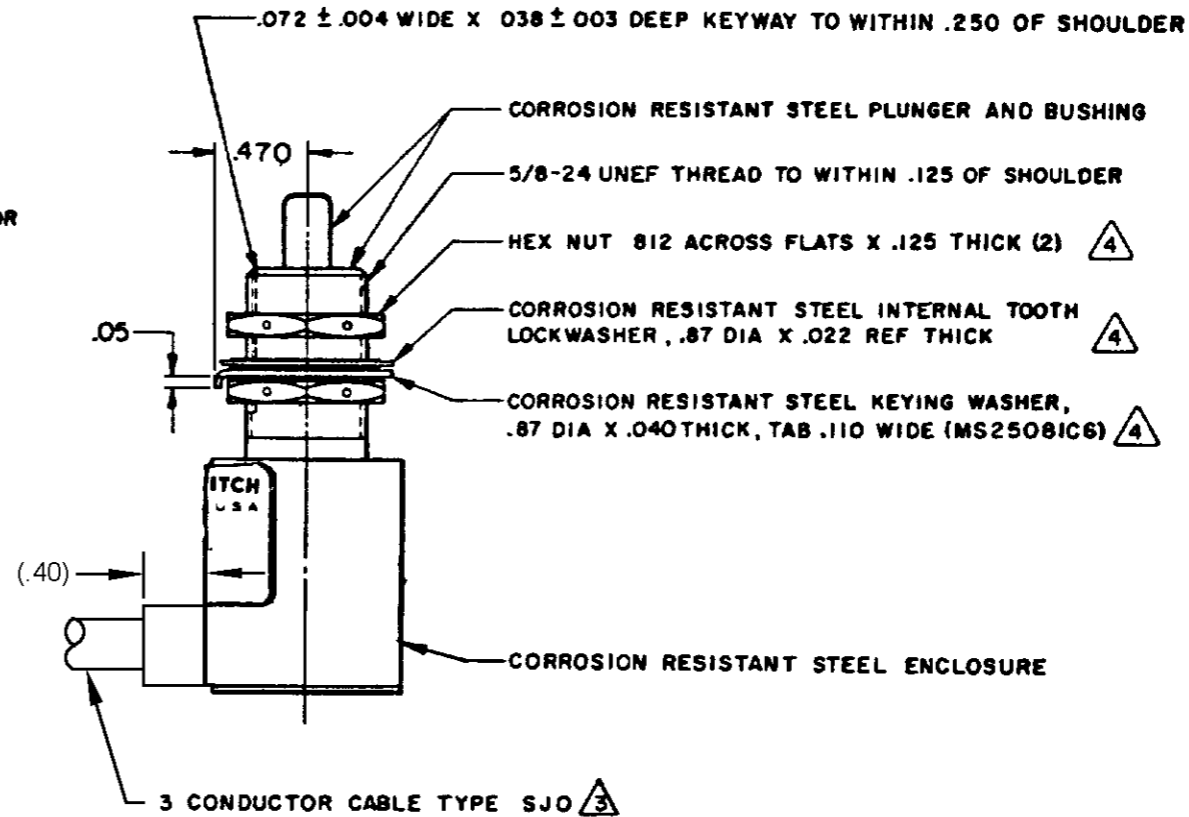
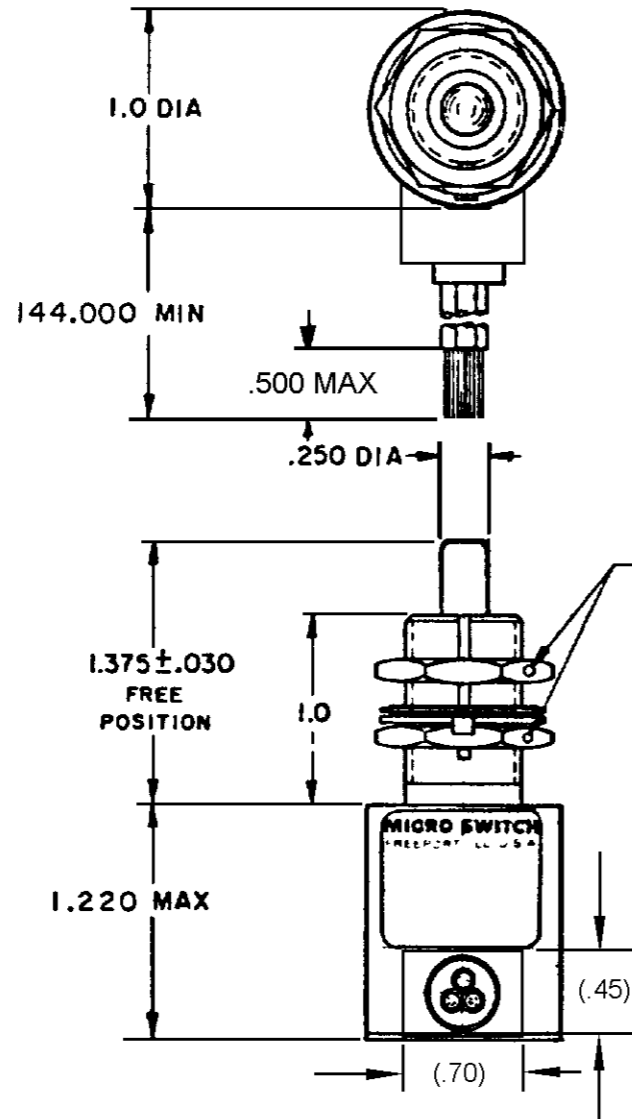
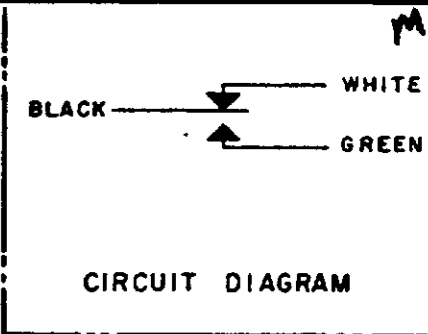
MICRO SWITCH

FREEPORT ILLINOIS U.S.A.
A DIVISION OF HONEYWELL

FED. MFG. CODE 91929

SWITCH-ENCLOSED

CATALOG LISTING
1CH28-12



M 1CH28-12
 DRAWING NUMBER
 ISSUE 6
 RJ 27OCT05
 CHECK 05APR05
 AK 14 MAR 89
 TSK
 WJM 13 MAR 89
 DRAWN
 RASTER
 FO-52851-B

REVISIONS

A	PR17175	WJM	13 MAR 89
B	0074101	LJF	2 FEB 93
C	0012074	CO	7 MAR 94
D	0012074	KSR	05 APR 05
E	0016449	KSR	27 OCT 05

THIS DRAWING COVERS A PROPRIETARY ITEM AND IS THE PROPERTY OF MICRO SWITCH A DIVISION OF MINNEAPOLIS-HONEYWELL REGULATOR CO. THIS DRAWING IS NOT TO BE COPIED OR USED WITHOUT THE APPROVAL OF MICRO SWITCH.

CHARACTERISTICS		ELECTRICAL DATA		SCALE FULL	
OPERATING FORCE	6-12 LB	CONTACT ARRANGEMENT	DO NOT SCALE PRINT		
FULL OVERTRAVEL FORCE	30 LB MAX	S P D T	UNLESS OTHERWISE SPECIFIED		
RELEASE FORCE	4 LB MIN		DIMENSIONS ARE IN INCHES		
PRETRAVEL	.040 MAX		TOLERANCES ARE		
DIFFERENTIAL TRAVEL	.020 MAX		ONE PLACE (.0)	2.000	
OVERTRAVEL	.250 MIN		TWO PLACE (.00)	2.015	
			THREE PLACE (.000)	2.000	
			ANGLES	2	
			WEIGHT	18 OZ MAX	

NOTES

- SWITCH SEALED PER MIL-PRF-8805 SYMBOL 3
 - CIRCUIT DIAGRAM, CATALOG LISTING AND DATE CODE ARE SHOWN ON NAMEPLATE
- WIRE LEADS COLOR CODED TO SHOW LEAD IDENTIFICATION
HARDWARE MAY BE PACKAGED UNASSEMBLED PER MIL-PRF-8805



X-ON Electronics

Largest Supplier of Electrical and Electronic Components

Click to view similar products for [Limit Switches](#) category:

Click to view products by [Honeywell](#) manufacturer:

Other Similar products are found below :

[5ML1-E1](#) [5ML31](#) [LZG1](#) [LZL1-6C](#) [622EN114-R](#) [622EN18-6](#) [622EN224-6B](#) [622EN230](#) [622EN237-R](#) [622EN69-3](#) [622EN85-RB](#) [MA-10019](#)
[6PA109](#) [7LS51](#) [83547001](#) [83725002](#) [83830001](#) [83840701](#) [83841001](#) [83881140](#) [8AS42](#) [8LS10](#) [8LS125-4PG](#) [8LS152-4PGN20](#) [914CE16-](#)
[3A](#) [914CE3-3L1](#) [915PA10](#) [91MCE16-P2O](#) [924CE16-Y3](#) [924CE1-S6](#) [924CE1-T25A](#) [924CE1-T3](#) [924CE1-T9A](#) [924CE2-T9](#) [924CE31-Y20-](#)
[X5](#) [924CE31-Y3L1](#) [GL-10054](#) [GLAB26J2B](#) [GLDB03C-6](#) [GLDC05C](#) [GLZ324](#) [PS21R-NT11N7-YK0](#) [H3141CAKAA](#) [RDI-G-L5B](#) [DD-](#)
[10000](#) [DT-2R3-A7](#) [14CE16-3N28](#) [14CE18-N15](#) [151ML3-E1](#) [E3102BAAAA](#)