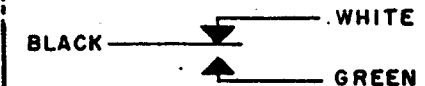


**MICRO SWITCH**

A DIVISION OF MINNEAPOLIS HONEYWELL REGULATOR COMPANY  
FREEPORT, ILLINOIS  
FED. MFR. CODE 91929

**SWITCH - ENCLOSED**

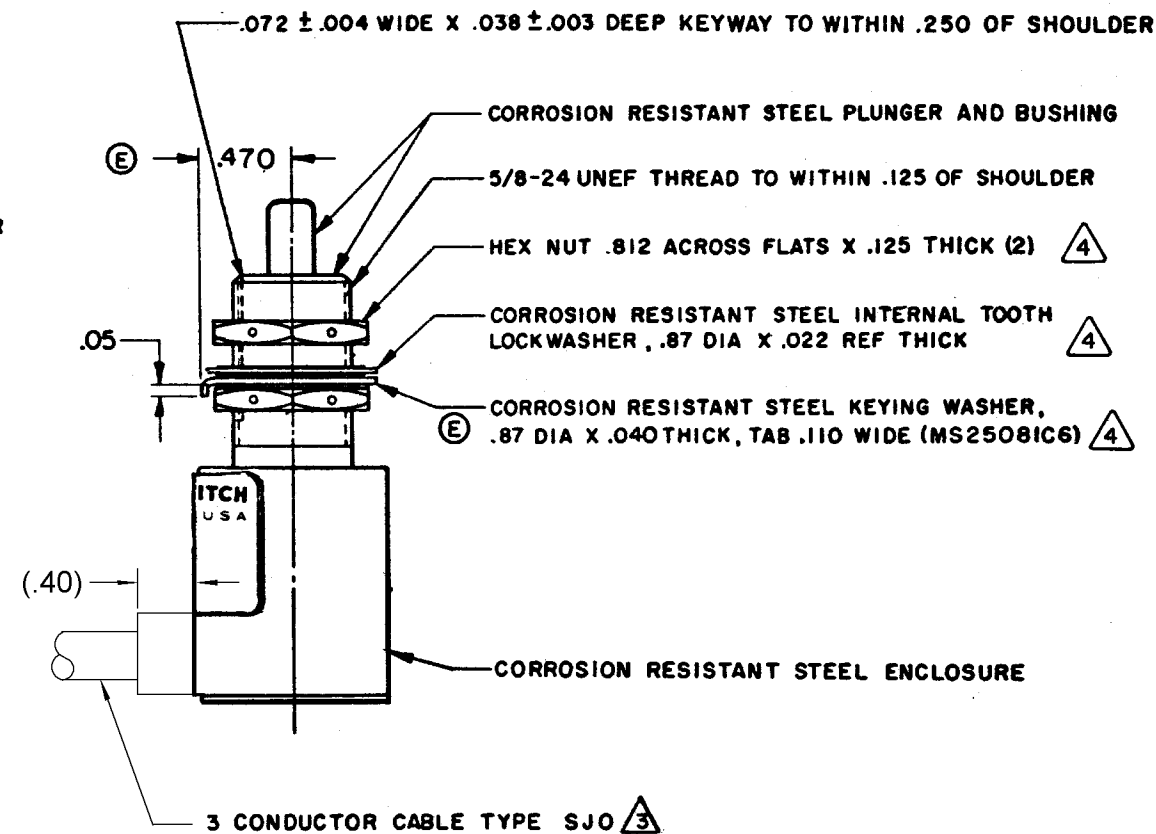
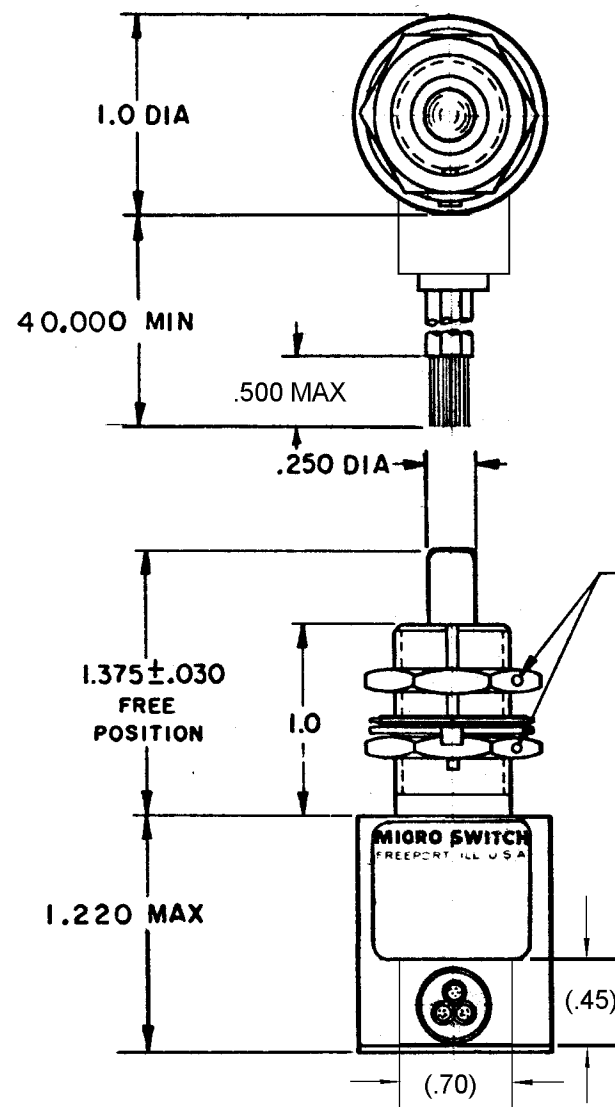
CATALOG LISTING  
**1CH28**



CIRCUIT DIAGRAM

REPLACES

L	57370
TSK	16 MAY 85
CO	63269
M	15 APR 88
TSK	173101
CO	2 FEB 93
N	77804
CO	SAD
P	0016449
77804	KSR
27OCT05	



**1CH28**

DRAWING NUMBER

ISSUE 16

RELEASE NO. SR12268

CHECK RJ 27OCT05

REVISIONS

A	MADE	MPS	12 NOV 64
B	CO20147	M B F	5 AUG 65
C	SR12268	L S D	15 APR 66
D	CO21874	M B F	28 SEPT 66
E	CO22953	M B F	1 NOV 67
F	CO31643-8	BEN	9 OCT 74
G	CO33908	REB	4 NOV 74
H	CO-34722	J A L	7 JAN 76
J	CO44351	CO	6 DEC 78
K	CO47573	J M J	28 JUL 80

THIS DRAWING COVERS A PROPRIETARY ITEM AND IS THE PROPERTY OF MICRO SWITCH, A DIVISION OF MINNEAPOLIS-HONEYWELL REGULATOR CO. THIS DRAWING IS NOT TO BE COPIED OR USED WITHOUT THE APPROVAL OF MICRO SWITCH.

CHARACTERISTICS	ELECTRICAL DATA	SCALE FULL
OPERATING FORCE - - - - - 6 - 12 LB	CONTACT ARRANGEMENT S P D T	DO NOT SCALE PRINT
FULL OVERTRAVEL FORCE - 30 LB MAX		UNLESS OTHERWISE SPECIFIED
RELEASE FORCE - - - - - 4 LB MIN		DIMENSIONS ARE IN INCHES
PRETRAVEL - - - - - .040 MAX		<b>TOLERANCES ARE:</b>
DIFFERENTIAL TRAVEL - - .020 MAX		ONE PLACE (.0) 2.000
OVERTRAVEL - - - - - .250 MIN		TWO PLACE (.00) 2.015
		THREE PLACE (.000) 2.005
		ANGLES 2
		WEIGHT .8.6 OZ MAX

- NOTES
- 1 - SWITCH SEALED PER MIL-PRF-8805 SYMBOL 3
  - 2 - CIRCUIT DIAGRAM, CATALOG LISTING AND DATE CODE ARE SHOWN ON NAMEPLATE
- WIRE LEADS COLOR CODED TO SHOW LEAD IDENTIFICATION  
HARDWARE MAY BE PACKAGED UNASSEMBLED PER MIL-PRF-8805

RASTER

## X-ON Electronics

Largest Supplier of Electrical and Electronic Components

*Click to view similar products for [Limit Switches](#) category:*

*Click to view products by [Honeywell](#) manufacturer:*

Other Similar products are found below :

[5ML1-E1](#) [5ML31](#) [LZG1](#) [LZL1-6C](#) [622EN114-R](#) [622EN18-6](#) [622EN224-6B](#) [622EN230](#) [622EN237-R](#) [622EN69-3](#) [622EN85-RB](#) [MA-10019](#)  
[6PA109](#) [7LS51](#) [83547001](#) [83725002](#) [83830001](#) [83840701](#) [83841001](#) [83881140](#) [8AS42](#) [8LS10](#) [8LS125-4PG](#) [8LS152-4PGN20](#) [914CE16-](#)  
[3A](#) [914CE3-3L1](#) [915PA10](#) [91MCE16-P2O](#) [924CE16-Y3](#) [924CE1-S6](#) [924CE1-T25A](#) [924CE1-T3](#) [924CE1-T9A](#) [924CE2-T9](#) [924CE31-Y20-](#)  
[X5](#) [924CE31-Y3L1](#) [GL-10054](#) [GLAB26J2B](#) [GLDB03C-6](#) [GLDC05C](#) [GLZ324](#) [PS21R-NT11N7-YK0](#) [H3141CAKAA](#) [RDI-G-L5B](#) [DD-](#)  
[10000](#) [DT-2R3-A7](#) [14CE16-3N28](#) [14CE18-N15](#) [151ML3-E1](#) [E3102BAAAA](#)