

MICRO SWITCH™ DM/DP Series

Snap-in Panel Mount Basic Switch



DESCRIPTION

MICRO SWITCH™ basic switches are globally compliant, and known worldwide for their compact and lightweight design, accurate repeatability, and extended life. The DM/DP series is a special application precision switch that can be used in a variety of applications, including appliance door lights, door interlocks, and stop/start switches.

FEATURES

- Attractive, rugged snap-in panel mount design - easy installation
- Choice of momentary, alternate, pushpull or pull-to-cheat operation
- Quickconnect terminals
- Expected mechanical life: 1 million operations, 95 % survival
- Temperature range: -37 °C to 82 °C [-35 °F to 180 °F]
- UL recognized file #E22779, CSA certified file #LR4442
- DM electrical rating — UL and CSA rating: 10 A, 1/2 HP, 125, 250 or 277 Vac
- DP electrical rating — UL standard 508, 14 A, 3/4 HP, 125, 250 Vac; Pilot Duty: 150 V A – 125, 250 Vac; 16 A, 125, 250, 277 Vac, 3/4 HP, 125, 250 Vac; Pilot Duty: 150 V A –125, 250 Vac

The DM/DP series snap-action switches have momentary, push-pull, and pull-to-cheat configurations. The quick-connect terminals and snap-in, panel-mount housings provide easy installation. In addition to the quick-connect terminals, angled forms and larger terminals can be provided.

POTENTIAL APPLICATIONS

- Appliance door lights
- Door interlocks
- Stop/start switches

MICRO SWITCH™ DM/DP Series

SPECIFICATIONS

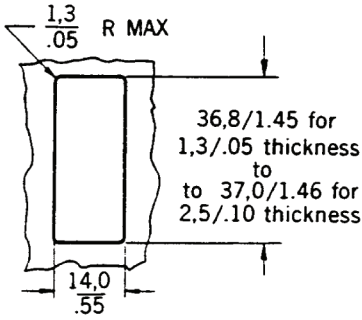
Characteristic	Parameter
Description	Snap-in panel mount basic switch
Actuators	<ul style="list-style-type: none">• Momentary action• Push-pull• Pull-to-cheat
Terminations	Quick connect, angled forms
Amp rating	10 A, 16 A
Operating temperature	-37 °C to 82 °C [-35 °F to 180 °F]
Operating force	4, 17 N [15 oz] max.
Mechanical life	1 million operations, 95 % survival
Circuitry	SPDT, DPDT
Voltage	125 Vac, 250 Vac, 277 Vac
Approvals	UL, CSA

This Honeywell datasheet supports the following MICRO SWITCH™ DM/DP Series Basic Switch Listings

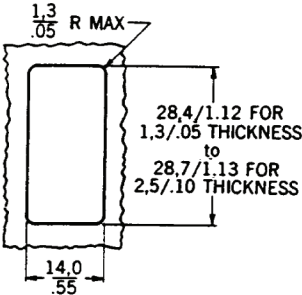
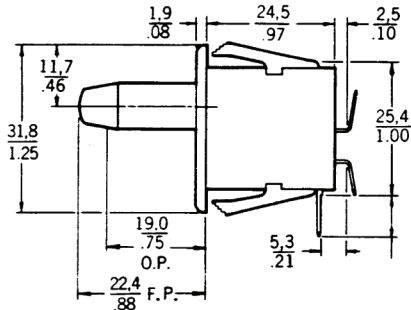
1DM1
1DM152
1DM171
1DM175
1DM176
1DM178
1DM18
1DM19
1DM2
1DM21
1DM3
1DM301
1DM335
1DM338
1DM38
1DM401
1DM418
1DM423
1DM425
1DM435
1DM437
1DM5
1DM57
1DM79
1DP5
1DP8
2DM1
2DM11
2DM301
2DM310
2DM4
2DM409
2DM438
2DM5
2DM6
2DM8
2DM83
DM-10692

Snap-in Panel Mount Basic Switch

MOUNTING DIMENSIONS



2DM
Panel Hole Detail



1DM/1DP
Panel Hole Detail

MOMENTARY ACTION

Momentary action switches are available in a choice of concave, convex, or bullet nose plunger styles.

Concave plunger	Convex plunger
Bullet-nose plunger	

PUSH-PULL

When plunger is depressed, it remains down and maintains circuit transfer. Switch contacts return to the previous position when the plunger is pulled to the extended position.


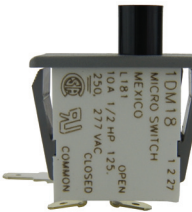

PULL-TO-CHEAT

Pull-to-cheat operates normally as a momentary action switch. However, by pulling the plunger beyond the normal free position, a maintained-on position is achieved.




POSSIBLE VARIATIONS

In addition to the standard quick-connect 4,78 mm x 0,51 mm [0.188 in x 0.020 in] terminals, angled forms and 6,35 mm x 0,81 mm [0.25 in x 0.032 in] terminals can be provided. DM plungers and faceplates are available in any combination of white, black, gray, or red.

MICRO SWITCH™ DM/DP Series

	1DM Series	1DM Series	1DM Series
Description			
Free position	22,4 mm [0.88 in]	11,4 mm [0.45 in]	11,4 mm [0.45 in]
Operating position	19,1 mm ±1,5 mm [0.750 in ±0.06 in]	-	9,02 mm ±1,5 mm [0.355 in ±0.06 in]
Overtravel	9,53 mm [0.375 in]	3,05 mm [0.120 in]	3,05 mm [0.12 in]
Operating force	4,17 N [15 oz]	4,17 N [15 oz]	4,17 N [15 oz]
Release force	0,83 N [3 oz]	0,83 N [3 oz]	0,83 N [3 oz]


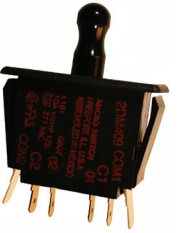
Action	Circuitry	Plunger type	Plunger color	Faceplate color			
Momentary	SPDT	Bullet nose	White	White		1DM1	
Momentary	SPNC	Bullet nose	White	White		1DM2	
Momentary	SPNO	Bullet nose	White	White		1DM3	
Momentary	SPDT	Concave	Black	Gray			1DM18
Momentary	SPDT	Concave	Red	Gray			1DM19
Momentary	SPDT	Convex	White	White			1DM21
Momentary	SPNO	Convex	White	White			1DM38

	DM301 Series	2DM Series	DM401 Series
Description			
Free position	24,1 mm [0.95 in]	11,4 mm [0.45 in]	17,8 mm [0.70 in]
Operating position	-	-	-
Overtravel	15,9 mm [0.625 in]	3,05 mm [0.12 in]	13,2 mm [0.52 in]
Operating force	-	6,67 N [24 oz]	4,17 N [15 oz]
Release force	-	1,67 N [6 oz]	0,83 N [3 oz]

Action	Circuitry	Plunger type	Plunger color	Faceplate color			
Push-Pull	SPDT	Finger grip	Black	Gray		1DM301	
Push-Pull	DPDT	Finger grip	Black	Gray		2DM301	
Momentary	DPDT	Concave	Black	Gray			2DM5
Momentary	DPDT	Concave	Red	Gray			2DM6
Pull-to-Cheat	SPDT	Finger grip	White	White			1DM401**



** Extended position 23,6 mm (.930 in. max.)

Snap-in Panel Mount Basic Switch

	2DM Series	DM409 Series
Description		
Free position	22,4 mm [0.88 in]	21,6 mm [0.85 in]
Operating position	19,6 mm ±1,0 mm [0.770 in ±0.040 in]	18,9 mm ±1,3 mm [0.745 in ±0.050 in]
Overtravel	10,2 mm [0.40 in]	15,0 mm [0.59 in]
Operating force	6,67 N [24 oz]	6,67 N [24 oz]
Release force	1,67 N [6 oz]	-

Action	Circuitry	Plunger type	Plunger color	Faceplate color		
Momentary	DPDT	Bullet nose	Black	Black		2DM1
Pull-to-Cheat	DPDT	Finger grip	Black	Black		2DM409
Alternate	SPDT	Bullet nose	White	White		

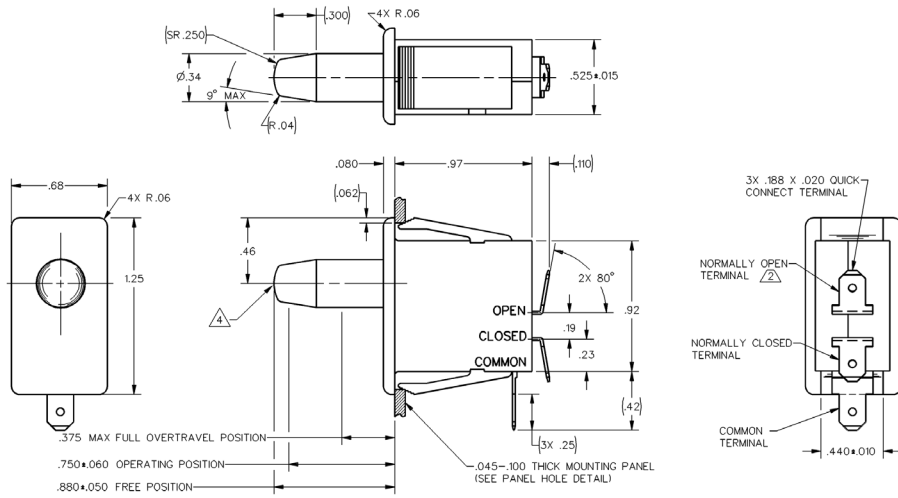
* Latch position 16,9 mm ± 0,76 mm (.665 in. ± .030 in.)

	DP Series	DP Series
Description		
Free position	22,4 mm [0.88 in]	11,4 mm [0.45 in]
Operating position	15,1 mm ±1,5 mm [0.595 in ±0.06 in]	9,0 mm ±1,5 mm [0.355 in ±0.06 in]
Overtravel	9,53 mm [0.375 in]	3,0 mm [0.12 in]
Operating force	4,45 N [16 oz]	6,67 N [24 oz]
Release force	0,83 N [3 oz]	0,83 N [3 oz]

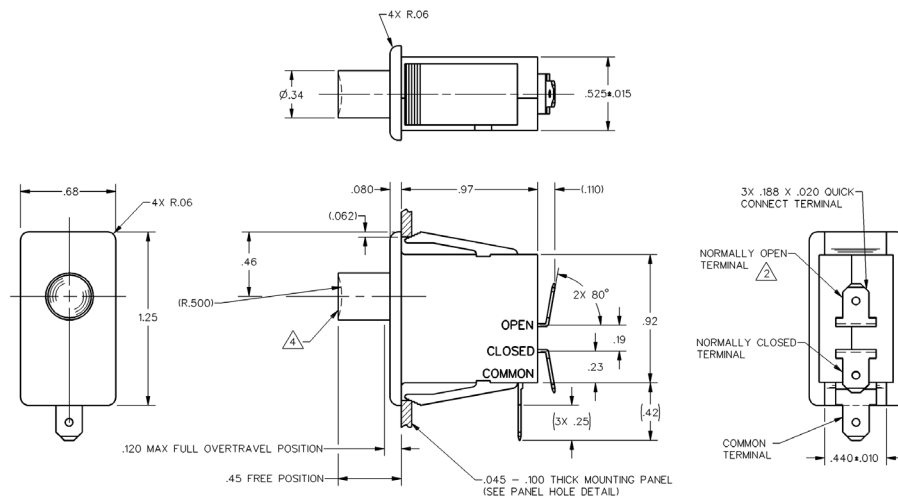
Action	Circuitry	Plunger type	Plunger color	Faceplate color		
Momentary	SPNO	Bullet nose	White	White		1DP5
Momentary	SPNO	Concave	White	White		1DP801

MICRO SWITCH™ DM/DP Series

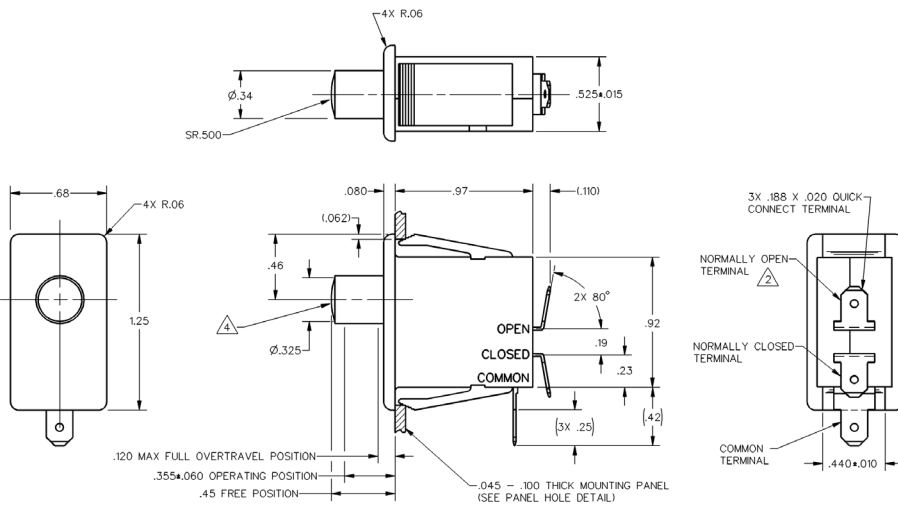
1DM1, 1DM2, 1DM3 DIMENSIONS



1DM18, 1DM19 DIMENSIONS

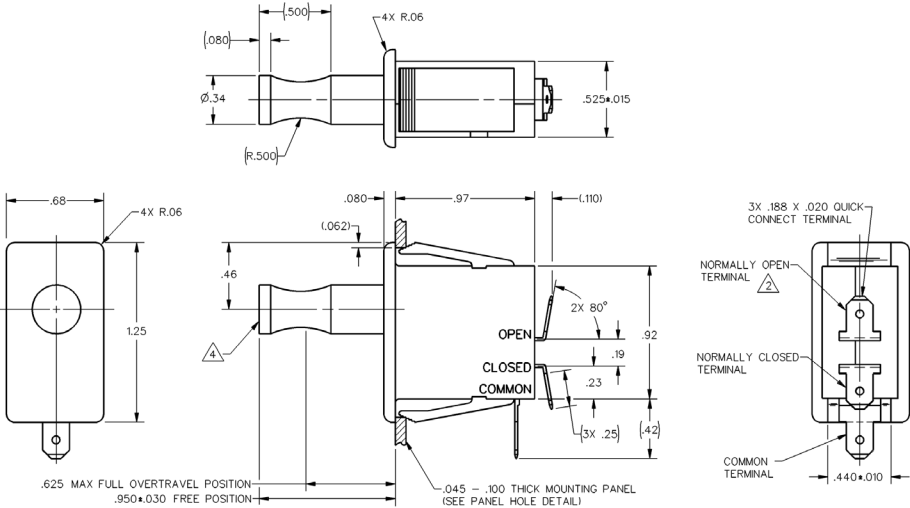


1DM21, 1DM38 DIMENSIONS

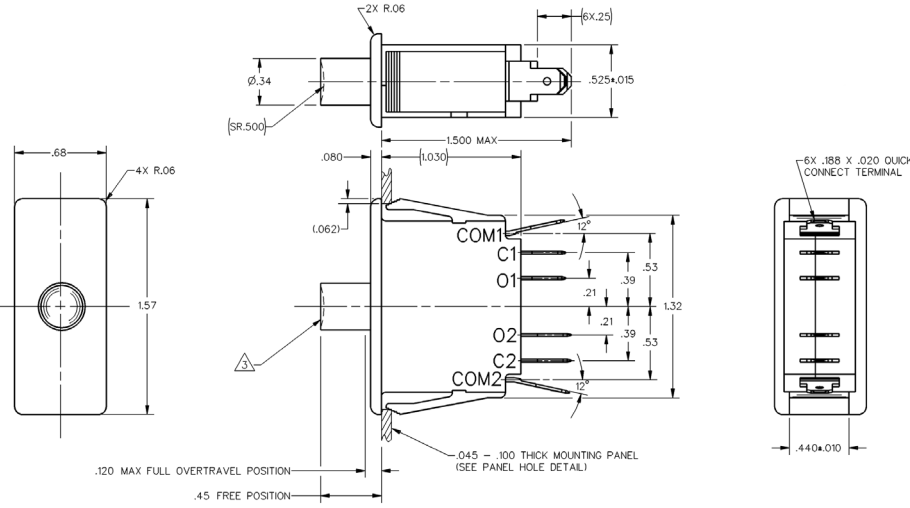


Snap-in Panel Mount Basic Switch

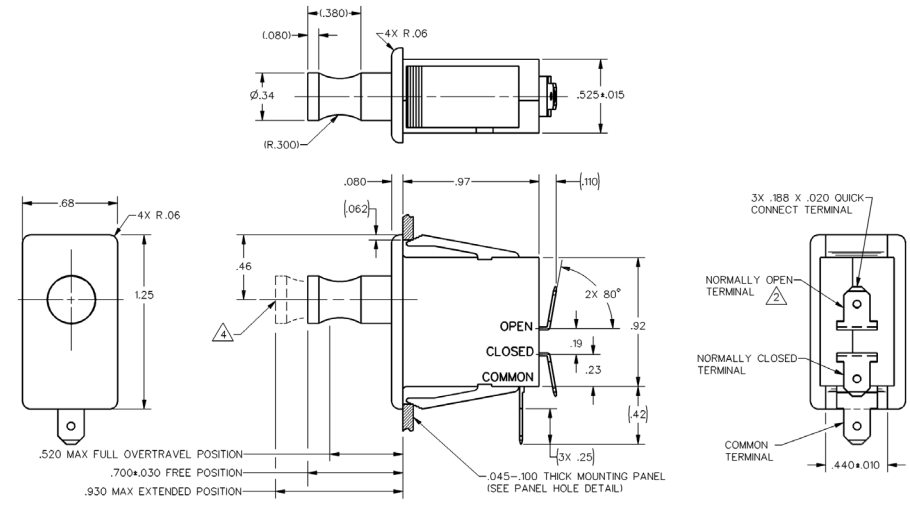
1DM301, 2DM301 DIMENSIONS



2DM5, 2DM6 DIMENSIONS

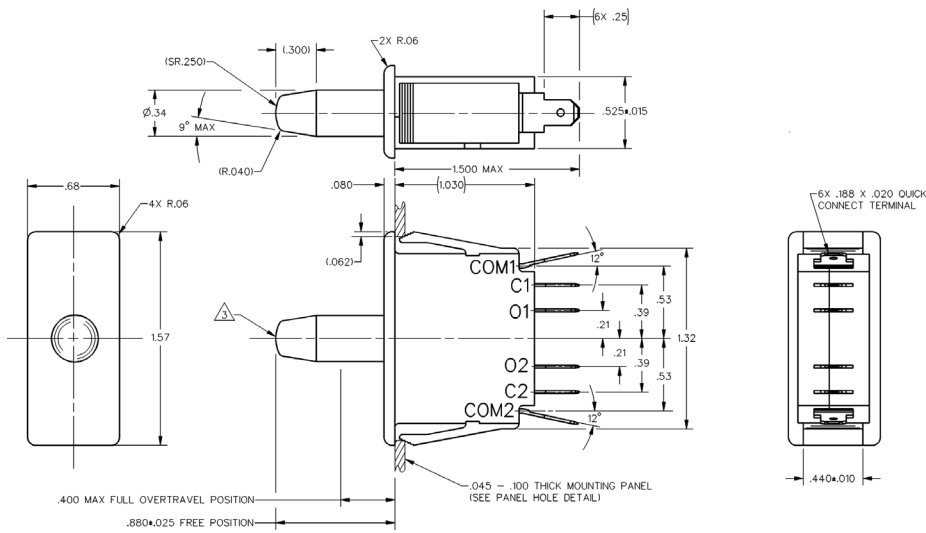


1DM401 DIMENSIONS

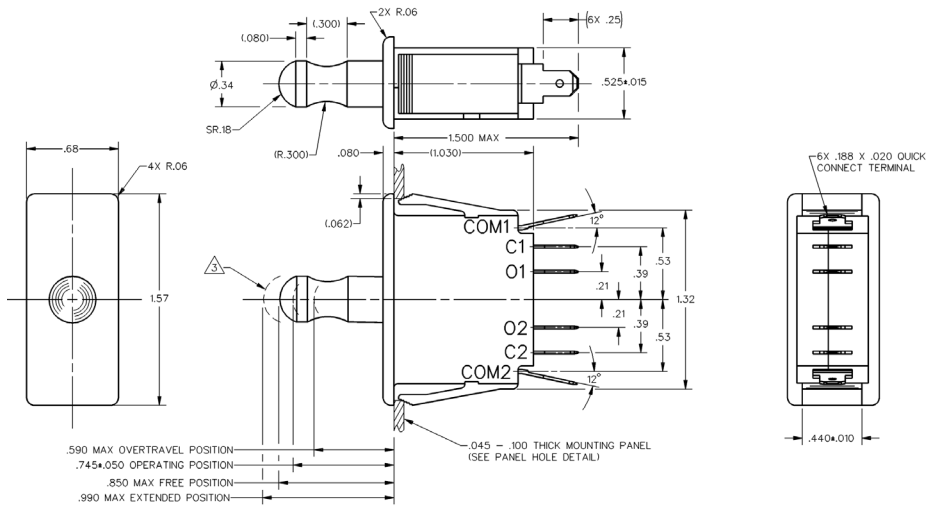


MICRO SWITCH™ DM/DP Series

2DM1 DIMENSIONS

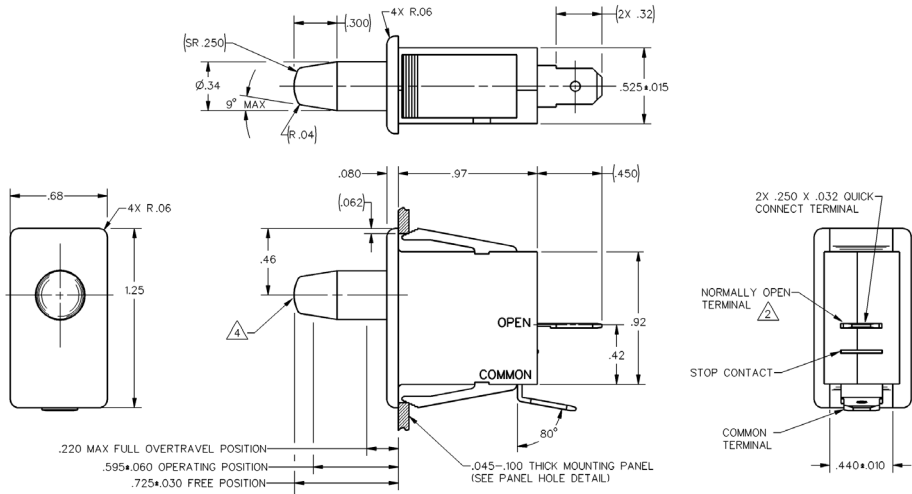


2DM409 DIMENSIONS

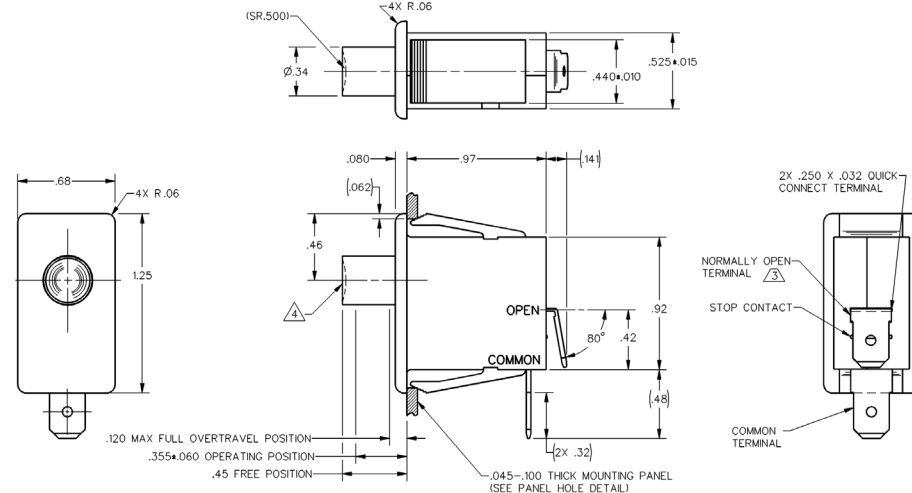


Snap-in Panel Mount Basic Switch

1DP5 DIMENSIONS



1DP801 DIMENSIONS



MICRO SWITCH™ DM/DP Series

Snap-in Panel Mount Basic Switch

Warranty. Honeywell warrants goods of its manufacture as being free of defective materials and faulty workmanship. Honeywell's standard product warranty applies unless agreed to otherwise by Honeywell in writing; please refer to your order acknowledgement or consult your local sales office for specific warranty details. If warranted goods are returned to Honeywell during the period of coverage, Honeywell will repair or replace, at its option, without charge those items it finds defective. **The foregoing is buyer's sole remedy and is in lieu of all warranties, expressed or implied, including those of merchantability and fitness for a particular purpose. In no event shall Honeywell be liable for consequential, special, or indirect damages.**

While we provide application assistance personally, through our literature and the Honeywell web site, it is up to the customer to determine the suitability of the product in the application.

Specifications may change without notice. The information we supply is believed to be accurate and reliable as of this printing. However, we assume no responsibility for its use.

Find out more

Honeywell serves its customers through a worldwide network of sales offices, representatives and distributors. For application assistance, current specifications, pricing or name of the nearest Authorized Distributor, contact your local sales office. To learn more about Honeywell's sensing and control products, call **+1-815-235-6847/1-800-537-6945**, visit **sensing.honeywell.com**, or e-mail inquiries to **info.sc@honeywell.com**

Sensing and Control
Honeywell
1985 Douglas Drive North
Golden Valley, MN 55422 USA
sensing.honeywell.com

WARNING

MISUSE OF DOCUMENTATION

- The information presented in this datasheet is for reference only. DO NOT USE this document as product installation information.
- Complete installation, operation and maintenance information is provided in the instructions supplied with each product.

Failure to comply with these instructions could result in death or serious injury.

WARNING

PERSONAL INJURY

DO NOT USE these products as safety or emergency stop devices or in any other application where failure of the product could result in personal injury.

Failure to comply with these instructions could result in death or serious injury.

Honeywell

X-ON Electronics

Largest Supplier of Electrical and Electronic Components

Click to view similar products for [Basic / Snap Action Switches](#) category:

Click to view products by [Honeywell](#) manufacturer:

Other Similar products are found below :

[5SM901-S12](#) [5SM9-S12N195](#) [01.098.1358.1](#) [602EN532](#) [602EN535-RB](#) [602HE5-RB1](#) [604HE162](#) [604HE223-6B](#) [624HE17-RB](#) [6HM82](#)
[6HM89](#) [6SE1](#) [6SX1-H58](#) [70500216](#) [70599106](#) [MBD5B1](#) [MBH2731](#) [73-316-0012](#) [EXD-AR20](#) [79211923](#) [79218589](#) [7AS12](#)
[MIL30126AB6BBMD4A12XAU](#) [ML-1155](#) [ML-1376](#) [831010C3.0](#) [831090C2.EL](#) [83131904](#) [84212012](#) [8AS239](#) [8HM73-3](#) [8SX26-H33](#)
[914CE1-6G](#) [PL-100](#) [11SM1077-H4](#) [11SM1077-H58](#) [11SM1-TN107](#) [11SM405](#) [11SM8423-H2](#) [11SX37-T](#) [11SX48-H58](#) [11SM2442-T](#)
[11SM76-T](#) [11SM77-H58](#) [11SM77-T](#) [11SM863-T](#) [11SM866](#) [A7CN-1M-1-LEFT](#) [A831700C7.0](#) [121EN187-R](#)