

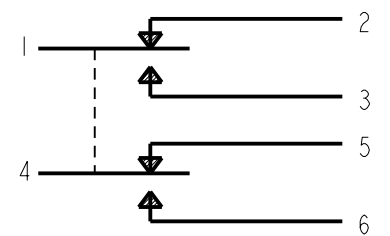
MICRO SWITCH
a Honeywell Division

FED. MFG. CODE 91929

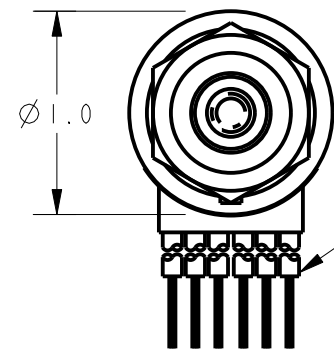
SWITCH - ENCLOSED

CATALOG LISTING

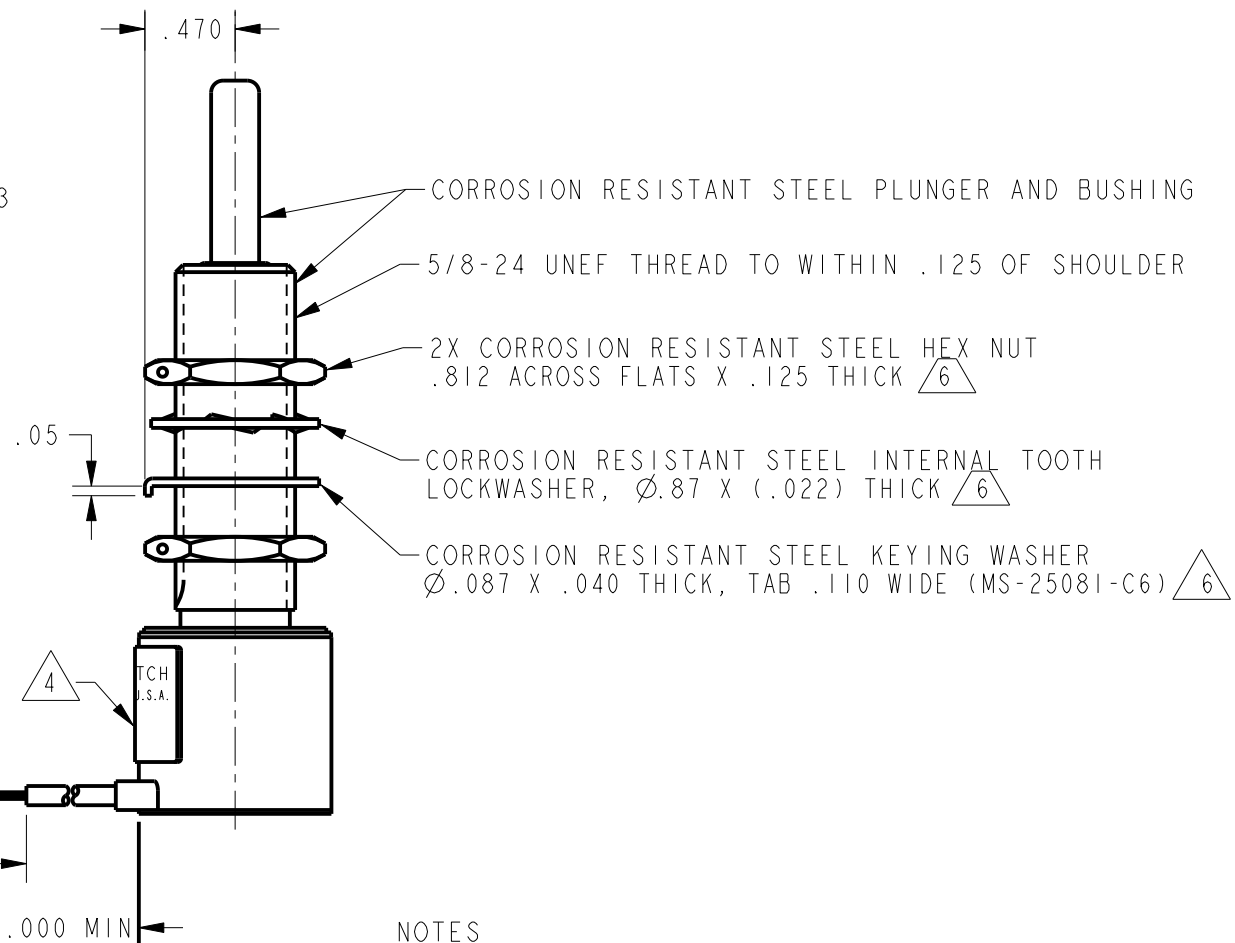
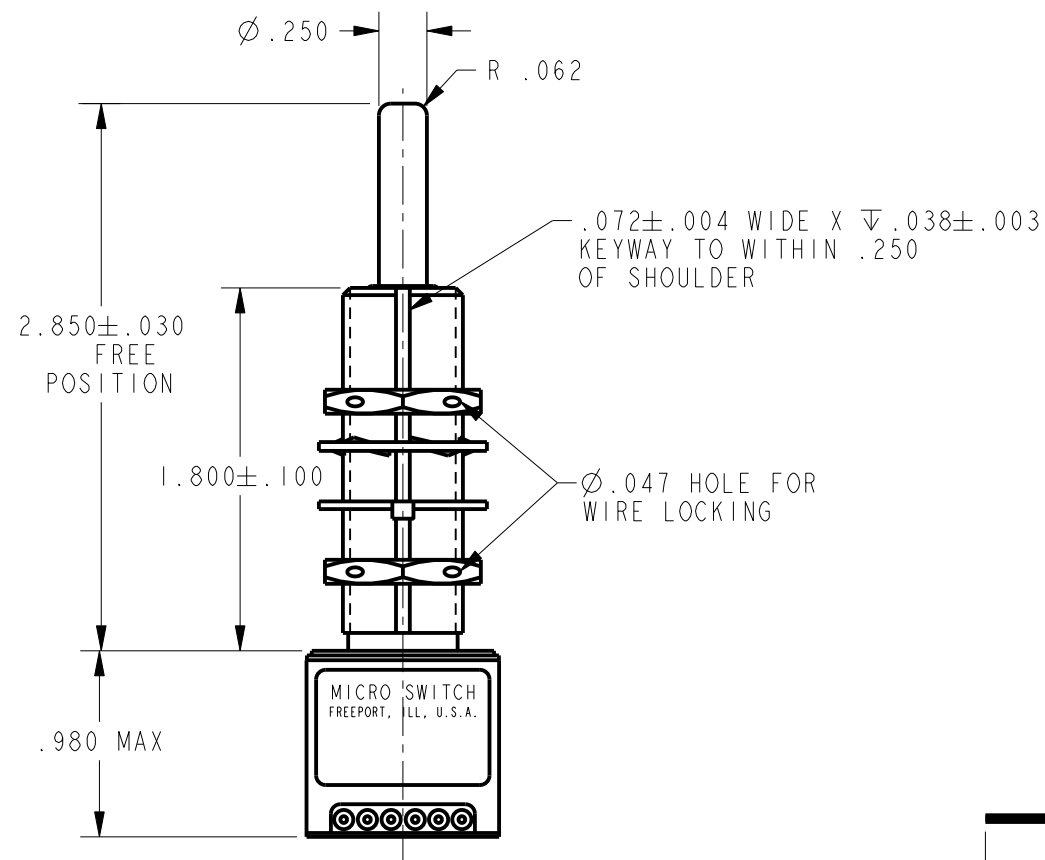
1EN289-3



CIRCUIT DIAGRAM



6X NO.20 WIRE LEAD PER MIL-W-22759/7
MARKED WITH CIRCUIT IDENTIFICATION AND WIRE GAGE
(1-20, 2-20 ETC) PER MIL-W-5088

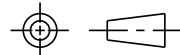


NOTES

- 1 - CORROSION RESISTANT STEEL ENCLOSURE
- 2 - SWITCH SEALED PER MIL-PRF-8805 SYMBOL 4
- 3 - COINCIDENCE OF OPERATING AND RELEASING POINTS:
.010 OF PLUNGER TRAVEL
- 4 - CIRCUIT DIAGRAM, CATALOG LISTING AND DATE CODE
ARE SHOWN ON NAMEPLATE
- 5 - THIS DESIGN IS FOR INLINE ACTUATION
- 6 - HARDWARE MAY BE PACKAGED UNASSEMBLED PER MIL-PRF-8805

THIS DRAWING COVERS A PROPRIETARY ITEM AND IS THE PROPERTY OF MICRO SWITCH, A DIVISION OF HONEYWELL. THIS DRAWING IS NOT TO BE COPIED OR USED WITHOUT THE APPROVAL OF MICRO SWITCH

THIRD ANGLE PROJECTION



CHARACTERISTICS		ELECTRICAL DATA	
OPERATING FORCE -----	6-12 LB	CONTACT ARRANGEMENT 2X S P D T	
FULL OVERTRAVEL FORCE -----	20 LB MAX		
RELEASE FORCE -----	4 LB MIN	28 VDC	
PRETRAVEL -----	.015-.040	LOAD	SEA LEVEL
DIFFERENTIAL TRAVEL -----	.020 MAX	RES	50,000 FT.
TOTAL TRAVEL -----	.900 MIN	IND	
		MOTOR	

SCALE FULL	
DO NOT SCALE PRINT	
UNLESS OTHERWISE SPECIFIED TOLERANCES ARE	
ONE PLACE (.0)	±.030
TWO PLACE (.00)	±.015
THREE PLACE (.000)	±.005
ANGLES	±
WEIGHT	8.5 OZ MAX

ANSI Y14.5M-1982 APPLIES

PTC/CAD 2D
 DRAWN TSM 1 NOV 00
 CHECK SAV 1 NOV 00
 CHECK AK 21 JUL 04
 REVISIONS
 B 0006608 KR 21 JUL 04
 A 201512 TSM 1 NOV 00
 ISSUE 17
 M
 CATALOG LISTING
 1EN289-3
 PAGE 1 OF 1
 RELEASE NO. PR-1990
 REPLACES -

X-ON Electronics

Largest Supplier of Electrical and Electronic Components

Click to view similar products for [Basic / Snap Action Switches](#) category:

Click to view products by [Honeywell](#) manufacturer:

Other Similar products are found below :

[5SM901-S12](#) [5SM9-S12N195](#) [01.098.1358.1](#) [602EN532](#) [602EN535-RB](#) [602HE5-RB1](#) [604HE162](#) [604HE223-6B](#) [624HE17-RB](#) [6HM82](#)
[6HM89](#) [6SE1](#) [6SX1-H58](#) [70500216](#) [70599106](#) [MBD5B1](#) [MBH2731](#) [73-316-0012](#) [EXD-AR20](#) [79211923](#) [79218589](#) [7AS12](#)
[MIL30126AB6BBMD4A12XAU](#) [ML-1155](#) [ML-1376](#) [831010C3.0](#) [831090C2.EL](#) [83131904](#) [84212012](#) [8AS239](#) [8HM73-3](#) [8SX26-H33](#)
[914CE1-6G](#) [PL-100](#) [11SM1077-H4](#) [11SM1077-H58](#) [11SM1-TN107](#) [11SM405](#) [11SM8423-H2](#) [11SX37-T](#) [11SX48-H58](#) [11SM2442-T](#)
[11SM76-T](#) [11SM77-H58](#) [11SM77-T](#) [11SM863-T](#) [11SM866](#) [A7CN-1M-1-LEFT](#) [A831700C7.0](#) [121EN187-R](#)