

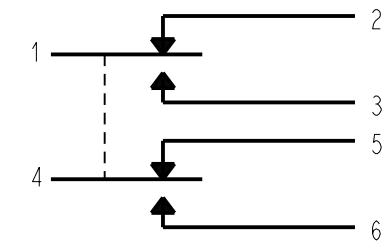
**MICRO SWITCH**  
a Honeywell Division

FED. MFG. CODE 91929

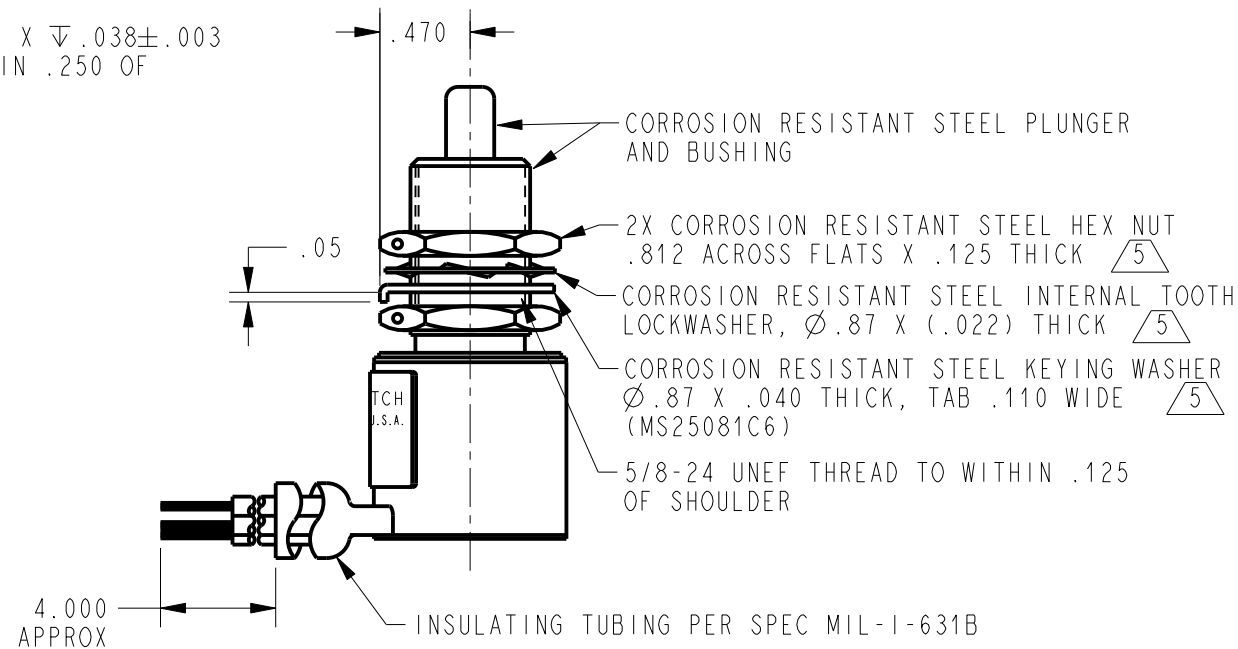
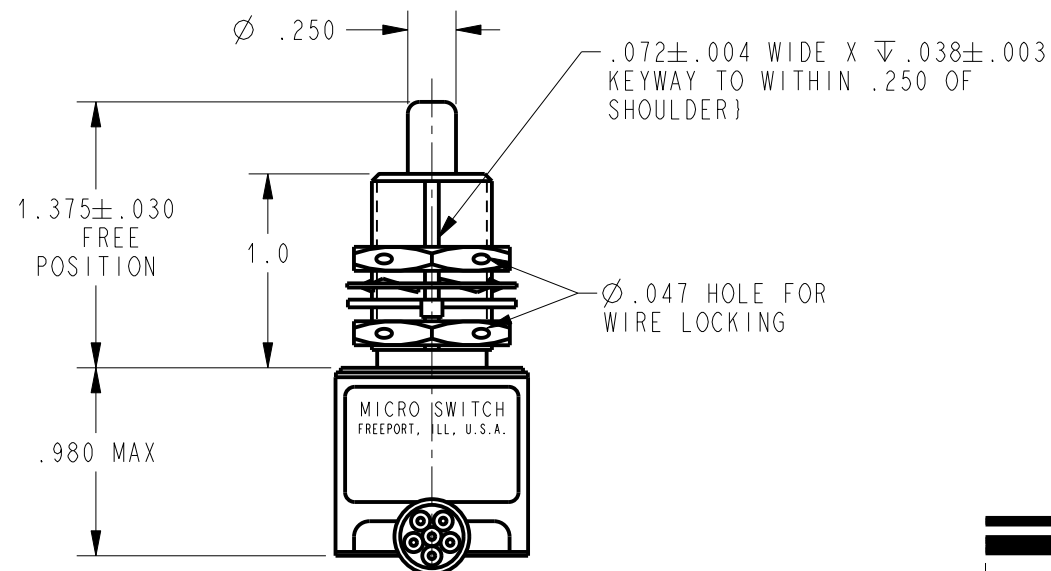
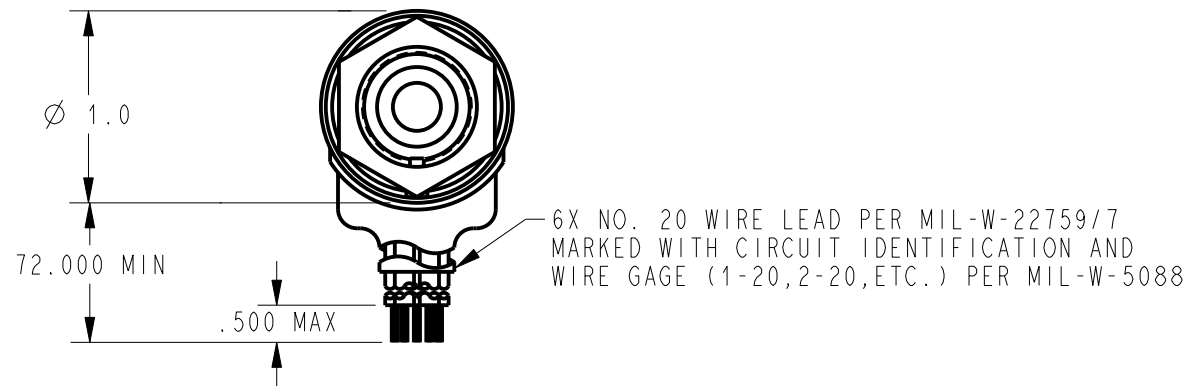
**SWITCH - ENCLOSED**

CATALOG LISTING

**1EN31-6**



CIRCUIT DIAGRAM



1EN31-6  
 CATALOG LISTING  
 PAGE 1 OF 1  
 RELEASE NO. SR-12657  
 REPLACES -  
 ISSUE 23  
 REVISIONS  
 A 0000777  
 C S L  
 10 JUL 03  
 CHECK  
 10 JUL 03  
 CHECK  
 10 JUL 03  
 SAV  
 CHECK  
 10 JUL 03  
 DRAWN  
 PTC/CAD 2D

THIS DRAWING COVERS A PROPRIETARY ITEM AND IS THE PROPERTY OF MICRO SWITCH, A DIVISION OF HONEYWELL. THIS DRAWING IS NOT TO BE COPIED OR USED WITHOUT THE APPROVAL OF MICRO SWITCH

CHARACTERISTICS	
OPERATING FORCE -----	6-12 LB
FULL OVERTRAVEL FORCE -----	30 LB MAX
RELEASE FORCE -----	4 LB MIN
PRETRAVEL -----	.040 MAX
DIFFERENTIAL TRAVEL -----	.020 MAX
OVERTRAVEL -----	.250 MIN

ELECTRICAL DATA		
CONTACT ARRANGEMENT		
2X S P D T		
LOAD	28 VDC	
	SEA LEVEL	50,000 FT.
RES	4	4
IND	2	2
MOTOR	4	
LAMP		

THIRD ANGLE PROJECTION	
SCALE	FULL
DO NOT SCALE PRINT	
UNLESS OTHERWISE SPECIFIED TOLERANCES ARE	
ONE PLACE	(.0) ±.030
TWO PLACE	(.00) ±.015
THREE PLACE	(.000) ±.005
ANGLES	±
WEIGHT	9.25 OZ MAX

- NOTES
- 1 - CORROSION RESISTANT STEEL ENCLOSURE
  - 2 - SWITCH SEALED PER MIL-PRF-8805 SYMBOL 4
  - 3 - COINCIDENCE OF OPERATING AND RELEASING POINTS: .010 OF PLUNGER TRAVEL
  - 4 - CIRCUIT DIAGRAM AND CATALOG LISTING ARE SHOWN ON NAMEPLATE
  - 5 - HARDWARE MAY BE PACKAGED UNASSEMBLED PER MIL-PRF-8805

ANSI Y14.5M-1982 APPLIES

## X-ON Electronics

Largest Supplier of Electrical and Electronic Components

*Click to view similar products for [Limit Switches](#) category:*

*Click to view products by [Honeywell](#) manufacturer:*

Other Similar products are found below :

[5ML1-E1](#) [5ML31](#) [LZG1](#) [LZL1-6C](#) [622EN114-R](#) [622EN18-6](#) [622EN224-6B](#) [622EN230](#) [622EN237-R](#) [622EN69-3](#) [622EN85-RB](#) [MA-10019](#)  
[6PA109](#) [7LS51](#) [83547001](#) [83725002](#) [83830001](#) [83840701](#) [83841001](#) [83881140](#) [8AS42](#) [8LS10](#) [8LS125-4PG](#) [8LS152-4PGN20](#) [914CE16-](#)  
[3A](#) [914CE3-3L1](#) [915PA10](#) [91MCE16-P2O](#) [924CE16-Y3](#) [924CE1-S6](#) [924CE1-T25A](#) [924CE1-T3](#) [924CE1-T9A](#) [924CE2-T9](#) [924CE31-Y20-](#)  
[X5](#) [924CE31-Y3L1](#) [GL-10054](#) [GLAB26J2B](#) [GLDB03C-6](#) [GLDC05C](#) [GLZ324](#) [PS21R-NT11N7-YK0](#) [H3141CAKAA](#) [RDI-G-L5B](#) [DD-](#)  
[10000](#) [DT-2R3-A7](#) [14CE16-3N28](#) [14CE18-N15](#) [151ML3-E1](#) [E3102BAAAA](#)