

Honeywell

Interactive Catalog Replaces Catalog Pages

Honeywell Sensing and Control has replaced the PDF product catalog with the new **Interactive Catalog**. The **Interactive Catalog** is a power search tool that makes it easier to find product information. It includes more installation, application, and technical information than ever before.



**Click this icon to try the new
Interactive Catalog.**

Sensing and Control
Honeywell Inc.
11 West Spring Street
Freeport, Illinois 61032



TYPICAL APPLICATIONS

Automotive and Heavy Duty Vehicles:

- Camshaft and crankshaft speed/ position
- Transmission speed
- Tachometers
- Anti-skid/traction control

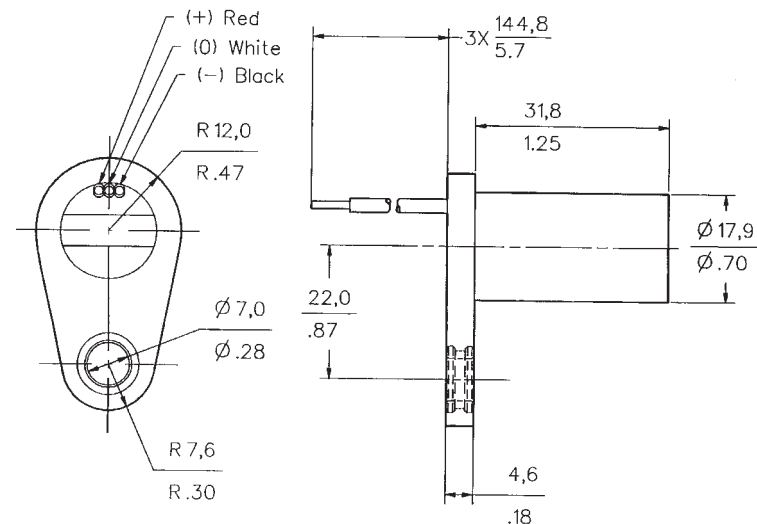
Industrial:

- Sprocket speed
- Chain link conveyor speed and distance
- Stop motion detector
- High speed low cost proximity
- Tachometers, Counters

GT1 ORDER GUIDE

Catalog Listing	Description
1GT101DC	Gear Tooth Sensor

MOUNTING DIMENSIONS (For reference only)



- variations in temperature, simplifying installation and maintenance
- Fast operating speed – over 100 kHz
- EMI resistant
- Reverse polarity protection and transient protection (integrated into Hall I.C.)
- Wide continuous operating temperature range (-40° to 150°C), short term to 160°C

Units will function from a 4.5 to 24 VDC power supply. Output is digital, current sinking (open collector). Reverse polarity protection is standard. If power is inadvertently wired backwards, the sensor will not be damaged. Built-in protection against pulsed transients to +60V, -40V is also included.

Optimum sensor performance is dependent on the following variables which must be considered in combination:

- Target material, geometry, and speed
- Sensor/target gap
- Ambient temperature
- Magnetic material in close proximity

	Fall (90 to 10%)	1.0 μ sec. max.
Absolute Maximum Ratings*	Supply Voltage (Vs)	± 30 VDC continuous
	Voltage Externally Applied To Output (output high)	-0.5 to +30 V
	Output Current	40 mA sinking
	Temperature Range	
	Storage	-40 to 150° (-40 to 302°F)
	Operating	-40 to 150° C (-40 to 302°F)
Switching Characteristics**	Operate Point	$3.7 \pm 1.25^\circ$ (3,28 \pm 1,13 mm)
	Release Point	$4.7 \pm 2.50^\circ$ (4,16 \pm 2,21 mm)
	Differential Travel	$8.4 \pm 3.70^\circ$ (7,45 \pm 3,34 mm)

* As with all solid state components, sensor performance can be expected to deteriorate as rating limits are approached; however, sensors will not be damaged unless the limits are exceeded.

** See Reference Target table.

TARGET GUIDELINES

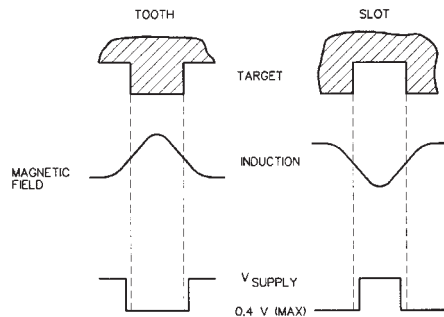
The Target Guidelines table provides basic parameters when an application is not restricted to a specific target.

Any target wheel that exceeds the following minimum specifications can be sensed over the entire temperature range of -40° to 150°C with any sensing gap up to .080 in. (2,0 mm). This data is based on a 4 in. (102 mm) diameter wheel, **rotating 10 to 3600 RPM.**

Reference Target Dimensions

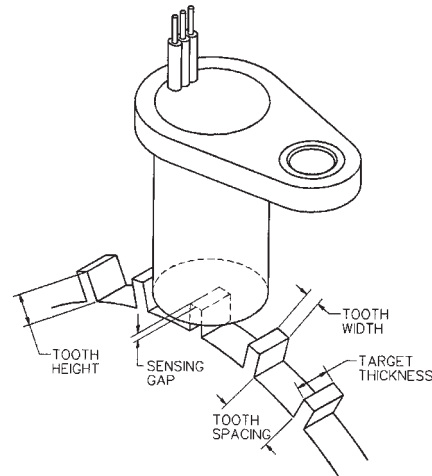
Tooth Height:	.200 in. (5,06 mm) min.
Tooth Width:	.100 in. (2,54 mm) min.
Tooth Spacing:	.400 in. (10,16 mm) min.
Target Thickness:	.250 in. (6,35 mm)

Sensor Output (with pull-up resistor added to output circuit)



REFERENCE TARGET/CONDITIONS

Characteristics will vary due to target size, geometry, location, and material. Sensor specifications were derived using a cold-rolled steel reference target. See table, right, for reference target configuration and evaluation conditions.



Target	
Diameter:	4 in. (101,6 mm)
Tooth Width:	.350 in. (8,89 mm)
Thickness:	.250 in. (6,35 mm)
Test Conditions	
Air Gap:	.040 to .080 in. (1,02 to 2,03 mm)
V Supply:	4.5 to 24 V
RPM:	10 min., 3600 max.

Integral Magnet

X-ON Electronics

Largest Supplier of Electrical and Electronic Components

Click to view similar products for [Industrial Hall Effect/Magnetic Sensors](#) category:

Click to view products by [Honeywell](#) manufacturer:

Other Similar products are found below :

[GT-13013](#) [GT-13040](#) [GT-14114](#) [GT-14123](#) [SR4P2-C7](#) [GT-12076](#) [GT-13012](#) [GT-14049](#) [GT-14067](#) [GT-14132](#) [GT-18030](#) [103FW12-R3](#)
[SMSA2P30CG](#) [GN 55.2-SC-8-3](#) [103FW41-R1](#) [SR-10018](#) [PST360G2-1S-C0000-ERA360-05K](#) [103SR14A-1](#) [MZT7-03VPS-KR0](#) [MZT7-03VPS-KW0](#) [MZT8-03VPS-KW0](#) [MZT8-28VPS-KP0](#) [GN 55.2-ND-15-3](#) [GN 55.2-ND-18-3](#) [GN 55.2-ND-4-3](#) [GN 55.2-ND-8-3](#) [GN 55.2-SC-10-3](#) [GN 55.4-ND-10-7,5-2](#) [GN 55.4-ND-12-9,5-2,5](#) [GN 55.4-ND-26-20,3-5](#) [GN 55.4-ND-7,5-4-1,5](#) [101MG7-BP](#) [A1389LUA-9-T](#)
[A1233LK-T](#) [MXM1120KIT](#) [MXM1120SOKIT](#) [A1220LLHLT-T](#) [AA004-00E](#) [AA006-02E](#) [ACX04-F99-I-V15](#) [GN 55.1-SC-24-11.5-4](#)
[MZA70155](#) [MZR40158](#) [PW520000](#) [ADH025-00E](#) [HMR2300-D00-485](#) [RZT7-03ZRS-KP0](#) [PSC360G2-F1A-C0000-ERA360-RE-K](#)
[PSC360G2-F2AA-C0002-ERA360-05K](#) [PST360G2-2AA-C0002-ERA360-05K](#)