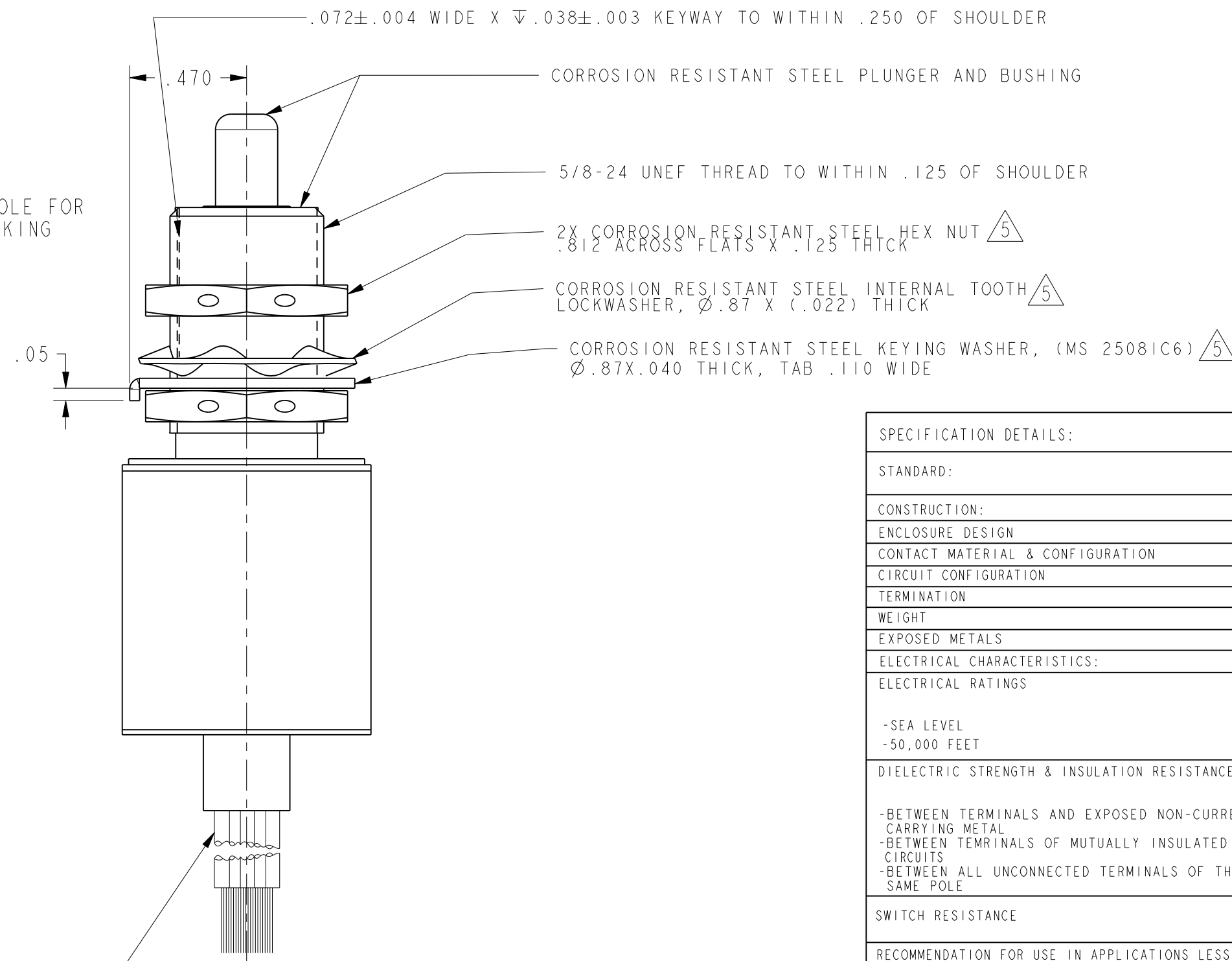
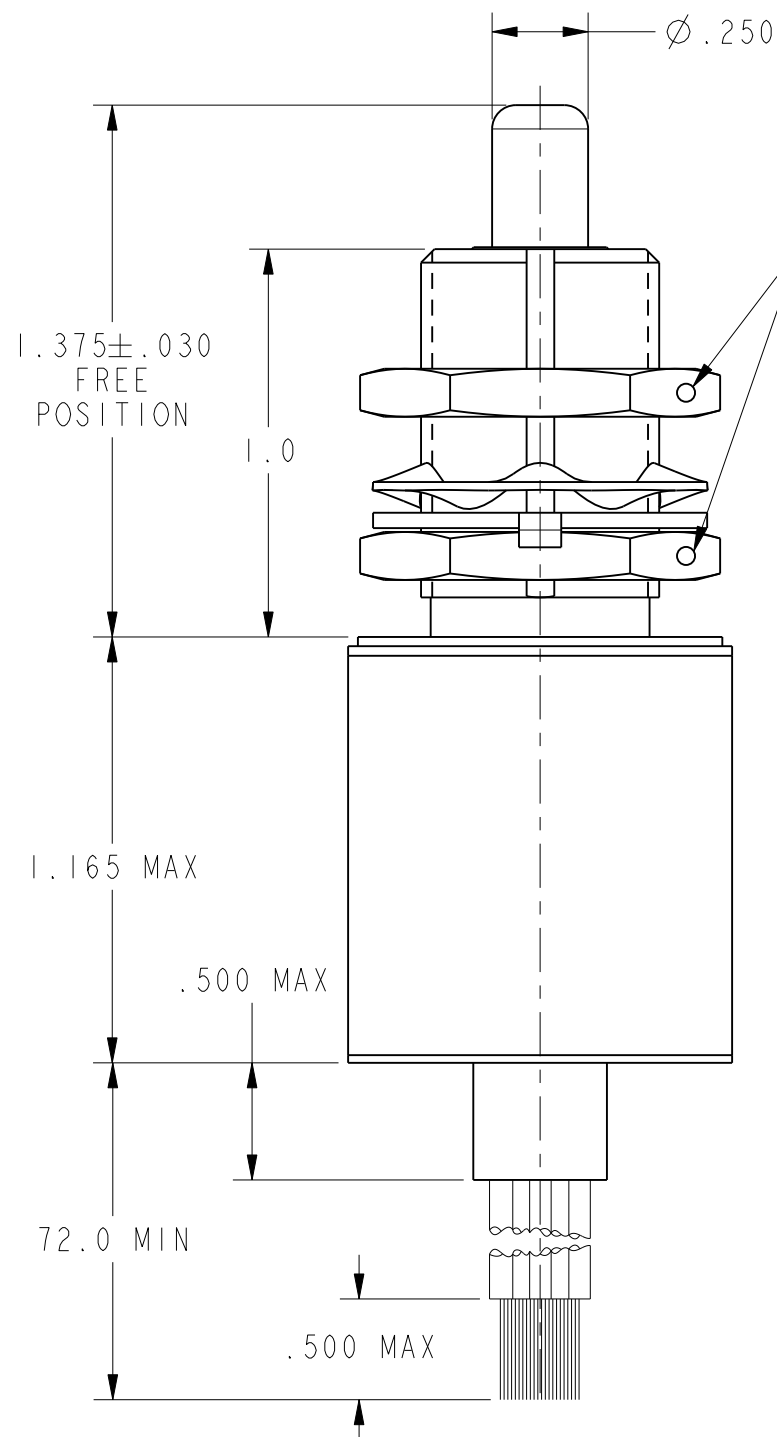
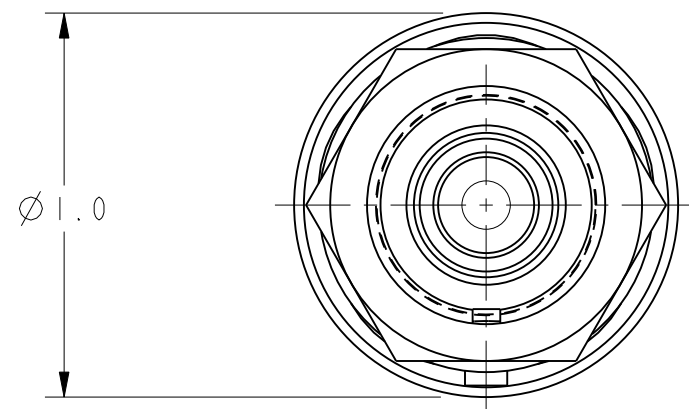
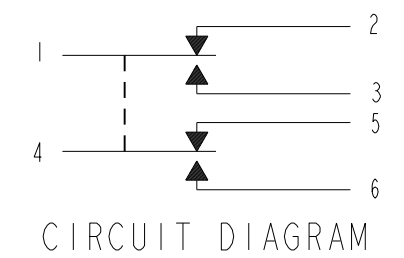


HONEYWELL
PART NUMBER
1HE242-6B

REV	DOCUMENT	CHANGED BY	CHECK
B	0043707	JA 16SEP08	ASD



6X NO.20 LEAD WIRE PER SPEC MIL-W-22759/16-20-9
MARKED WITH CIRCUIT IDENTIFICATION AND WIRE GAGE
(1-20, 2-20, ETC) PER MIL-W-5088

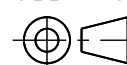
SPECIFICATION DETAILS:				
STANDARD:	CONFORMS TO M8805/80-01 (MIL-PRF-8805/80), EXCEPT AS NOTED			
CONSTRUCTION:	HERMETIC SEAL PER MIL-PRF-8805, SYMBOL 5			
ENCLOSURE DESIGN	HERMETIC SEAL PER MIL-PRF-8805, SYMBOL 5			
CONTACT MATERIAL & CONFIGURATION	GOLD BIFURCATED			
CIRCUIT CONFIGURATION	2 SPDT			
TERMINATION	LEADWIRES PER MIL-W-22759/16-20-9			
WEIGHT	7.5 OZ MAX			
EXPOSED METALS	CORROSION RESISTANT STEEL			
ELECTRICAL CHARACTERISTICS:				
ELECTRICAL RATINGS	VOLTAGE	RESISTIVE	LOAD INDUCTIVE	LAMP
-SEA LEVEL	28 VDC	1.0A	0.5A	0.2A
-50,000 FEET	28 VDC	1.0A	0.5A	0.2A
DIELECTRIC STRENGTH & INSULATION RESISTANCE	DIELECTRIC STRENGTH (≈ 60 Hz. FOR 5 SECONDS)		INSULATION RESISTANCE (500 VDC ± 10%)	
-BETWEEN TERMINALS AND EXPOSED NON-CURRENT CARRYING METAL	1000 Vrms, 500µA (MAX. LEAKAGE)		1000 Megohms MIN	
-BETWEEN TERMINALS OF MUTUALLY INSULATED CIRCUITS	:		:	
-BETWEEN ALL UNCONNECTED TERMINALS OF THE SAME POLE	:		:	
SWITCH RESISTANCE	NOT TO EXCEED 1% OF APPLICATION LOAD IMPEDENCE OVER ELECTRICAL LIFE OF SWITCH			
RECOMMENDATION FOR USE IN APPLICATIONS LESS THAN .5 amps AND/OR 12 volts	YES $\triangle 6$			
MECHANICAL CHARACTERISTICS:				
CHARACTERISTICS:				
OPERATING FORCE	6-12 LBS			
RELEASE FORCE	4 LBS MIN			
FULL OVERTRAVEL FORCE	30 LBS MAX			
PRETRAVEL	.040 MAX			
DIFFERENTIAL TRAVEL	.020 MAX			
OVERTRAVEL	.250 MIN			
MOUNTING STRENGTH	15 IN-LBS RECOMMENDED BY MIL-PRF-8805 $\triangle 6$			
ACTUATOR STRENGTH	30 LBS APPLIED IN A DIRECTION TO CAUSE SWITCH ACTUATION			
LIFE:				
MECHANICAL LIFE	100,000 MIN. PER MIL-PRF-8805/80			
ELECTRICAL LIFE AT FULL RATED LOAD	25,000 MIN. PER MIL-PRF-8805/80			
ENVIRONMENTAL:				
TEMPERATURE RANGE	-55°C TO +125°C			
ALTITUDE RANGE	SEA LEVEL TO 50,000 FEET			
SHOCK	PER MIL-PRF-8805 SYMBOL M - 100 g			
VIBRATION	PER MIL-PRF-8805 SYMBOL 2-10-2000Hz & 20g PEAK			
MOISTURE RESISTANCE	PER MIL-PRF-8805 PARA 3.19			
THERMAL SHOCK	PER MIL-PRF-8805 PARA 3.15			
SALT SPRAY	PER MIL-PRF-8805 PARA 3.21			

NOTES

- 1 - CORROSION RESISTANT STEEL ENCLOSURE
- 2 - SWITCH SEALED PER MIL-PRF-8805 SYMBOL 5
- 3 - COINCIDENCE OF OPERATING AND RELEASING POINTS: .010 INCH OF PLUNGER TRAVEL
- 4 - CIRCUIT DIAGRAM, CATALOG LISTING, DATE CODE, FED.MFG. CODE ARE SHOWN ON SWITCH HOUSING
- $\triangle 5$ - HARDWARE MAY BE PACKAGED UNASSEMBLED PER MIL-PRF-8805
- $\triangle 6$ - CONTACT HONEYWELL-MICRO SWITCH IF ADDITIONAL INFORMATION ON LOW ENERGY LOADS IS REQUIRED OR FOR HELP WITH SPECIFIC APPLICATIONS
- $\triangle 7$ - JAM NUT INSTALLATION TORQUE: 15-30 IN-LBS

DESIGN UNITS:	INCH		
TOLERANCES UNLESS NOTED:			
NO PLACES	X	±	0.000
ONE PLACE	.X	±	0.030
TWO PLACE	.XX	±	0.015
THREE PLACE	.XXX	±	0.005
FOUR PLACE	.XXXX	±	0.0005
ANGLES	X	±	2'

THIRD ANGLE PROJECTION



DRAWN	PM	25JAN05
CHECK	AK	29APR05
THIS DRAWING COVERS A PROPRIETARY ITEM AND IS THE PROPERTY OF HONEYWELL. THIS DRAWING IS NOT TO BE COPIED OR USED WITHOUT THE PERMISSION OF HONEYWELL.		
INTERPRET PER ASME Y14.5M-1994 OTHER HONEYWELL ENGINEERING STANDARDS MAY APPLY		
Pro/ENGINEER	3D	SCALE 2:1

Honeywell			
TITLE SWITCH, ENCLOSED			
SIZE	TYPE	DRAWING NAME	REV
C	I	1HE242-6B	B
SHEET		1 OF 1	

X-ON Electronics

Largest Supplier of Electrical and Electronic Components

Click to view similar products for [Basic / Snap Action Switches](#) category:

Click to view products by [Honeywell](#) manufacturer:

Other Similar products are found below :

[5SM901-S12](#) [5SM9-S12N195](#) [01.098.1358.1](#) [602EN532](#) [602EN535-RB](#) [602HE5-RB1](#) [604HE162](#) [604HE223-6B](#) [624HE17-RB](#) [6HM82](#)
[6HM89](#) [6SE1](#) [6SX1-H58](#) [70500216](#) [70599106](#) [MBD5B1](#) [MBH2731](#) [73-316-0012](#) [EXD-AR20](#) [79211923](#) [79218589](#) [7AS12](#)
[MIL30126AB6BBMD4A12XAU](#) [ML-1155](#) [ML-1376](#) [831010C3.0](#) [831090C2.EL](#) [83131904](#) [84212012](#) [8AS239](#) [8HM73-3](#) [8SX26-H33](#)
[914CE1-6G](#) [PL-100](#) [11SM1077-H4](#) [11SM1077-H58](#) [11SM1-TN107](#) [11SM405](#) [11SM8423-H2](#) [11SX37-T](#) [11SX48-H58](#) [11SM2442-T](#)
[11SM76-T](#) [11SM77-H58](#) [11SM77-T](#) [11SM863-T](#) [11SM866](#) [A7CN-1M-1-LEFT](#) [A831700C7.0](#) [121EN187-R](#)