

Interactive Catalog Supplements Catalog PDFs

If you need detailed product information, or help choosing the right product for your application, see our [Interactive Catalog](#). Use the [Interactive Catalog](#) to access the most complete and up-to-date information available.

The [Interactive Catalog](#) provides an extensive collection of product specifications, application data, and technical literature that can be searched based on criteria you select.

This PDF catalog information was published in November 2000.



Sensing and Control
[Interactive Catalog...](#)

**Click this icon to try
the Interactive Catalog.**

Sensing and Control

Honeywell Inc.

11 West Spring Street

Freeport, IL 61032

0.5 amp, 125 VDC ; 0.4 amp, 250 VDC

** Resistive Rating

NOTE: The terminals of two-circuit double-break switches must be wired to equal voltage sources and the same polarity. The loads should be on the same side of the line.

ROLLER LEVER ROTARY ACTUATED SWITCHES

(To order switches and levers separately, refer to pages A73 and A74 or A37 and A38.)

ORDER GUIDE

Momentary action. Steel rollers.



Compact



Plug-in*

| Description | Rating | Catalog Listing | | O.F. max. | P.T. max. | O.T. min. | D.T. max. |
|---|--------|-----------------|-----------|-----------------|-----------|-----------|-----------|
| | | Compact | Plug-in | | | | |
| Standard | A | 1LS1 | 201LS1* | 13,3 N 3 lb. | 20° | 30° | 12° |
| 20° Pretravel UL/CSA | F | 1LS1-L | — | 13,3 N 3 lb. | 20° | 30° | 12° |
| Low Pretravel 5° | B | 1LS19 | 201LS19* | 13,3 N 3 lb. | 5° | 30° | 4° |
| Low Operating Force 5° Pretravel | B | 1LS131 | — | 5,0 N 18 oz. | 5° | 30° | 4° |
| Standard with indicator light 120 VAC only | C | 1LS501 | 201LS501* | 13,3 N 3 lb. | 20° | 30° | 12° |
| Low Operating Force | A | 1LS6 | 201LS6* | 5,0 N 18 oz. | 20° | 30° | 12° |
| Cavity Mount version of 1LS1 | A | 7LS1 | — | 13,3 N 3 lb. | 20° | 30° | 12° |

*Require Terminal Block (18PA1 for 200LS switches) which must be ordered separately. Unless damaged, it is not necessary to replace terminal block when replacing switch.

Characteristics: O.F. — Operating Force; P.T. — Pretravel; O.T. — Overtravel; D.T. — Differential Travel.

Compact



WOBBLE LEVER ACTUATED SWITCHES



1



2



3



4

| Description | Page A70 | Compact | Plug-in | max. | max. | min. | max. |
|--|----------|---------|----------|-----------------|------|------|------|
| Standard Pretravel 20° | A | 1LS10 | 201LS10* | 1,39 N 5 oz. | 20° | 30° | 12° |
| | UL/CSA | F | 1LS10-L | | | | |
| Low pretravel 5° | B | 1LS47 | 201LS47* | 1,39 N 5 oz. | 5° | 30° | 4° |
| Low pretravel 5° and low operating force | B | 1LS53 | 201LS51* | 0,83 N 3 oz. | 5° | 30° | 4° |

**Rod fully extended

ORDER GUIDE

Momentary action.

| Description | Electrical Rating Page A70 | Catalog Listing | | O.F. max. | P.T. max. |
|---|----------------------------|-----------------|-----------|-----------------|-----------------|
| | | Compact | Plug-in | | |
| Flexible cable actuator ¹ | D | 8LS1 | 208LS1* | 1,39 N 5 oz. | 28,6 1.125 |
| | UL/CSA | G | 8LS1-L | — | 1,39 N 5 oz. |
| Combination spring-rod ² | D | 8LS3 | 208LS3* | 1,39 N 5 oz. | 28,6 1.125 |
| Low force steel wire ³ | D | 8LS125 | 208LS125* | 0,28 N 1 oz. | 63,5 2.5 |
| Coil spring ⁴ Stainless steel | D | 8LS152 | 208LS152* | 1,39 N 5 oz. | 28,6 1.125 |

* Require Terminal Block (18PA1 for 200LS Switches) which must be ordered separately. Unless damaged, it is not necessary to replace terminal block when replacing switch.

Compact



| Description | Electrical Rating Page A70 | Catalog Listing | | O.F. max. N lb. | P.T. max. mm in. | O.T. min. mm in. | D.T. max. mm in. |
|----------------------|-------------------------------|-----------------|---------|--------------------------|---------------------------|---------------------------|---------------------------|
| | | Compact | Plug-in | | | | |
| Standard side roller | A | 4LS1 | 204LS1* | 40 9 | 2,77 .109 | 6,35 .250 | 1,02 .040 |

SIDE ROLLER PLUNGER ACTUATED SWITCHES

Plug-in*



ORDER GUIDE

Momentary action. Assembled with plunger facing front (label side).

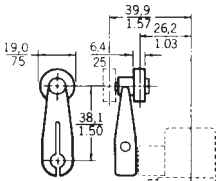
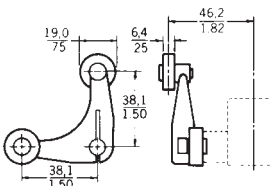
| Description | Electrical Rating Page A70 | Catalog Listing | | O.F. max. N lb. | P.T. max. mm in. | O.T. min. mm in. | D.T. max. mm in. |
|---|-------------------------------|-----------------|---------|--------------------------|---------------------------|---------------------------|---------------------------|
| | | Compact | Plug-in | | | | |
| Standard side roller plunger Steel Roller | A | 3LS1 | 203LS1* | 40 9 | 2,77 .109 | 5,56 .219 | 1,02 .040 |

* Require Terminal Block (18PA1 for 200LS Switches) which must be ordered separately. Unless damaged, it is not necessary to replace terminal block when replacing switch.

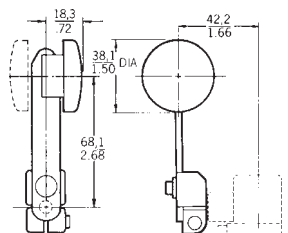
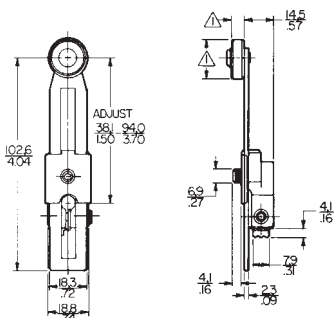
Characteristics: O.F. — Operating Force; P.T. — Pretravel; O.T. — Overtravel; D.T. — Differential Travel.

N = Newton

Roller may be turned in any position through 360°.

| | | | | | | | | |
|---|---|---|-------|-------|-------|-------|-------|--------|
|  | Roller arm, with nylon, steel, or ball bearing roller. | <table border="1"> <tr> <td>Nylon</td> <td>6PA71</td> </tr> </table> | Nylon | 6PA71 | | | | |
| Nylon | 6PA71 | | | | | | | |
|  | Yoke roller lever with nylon or steel rollers. <hr/> Rollers on same side. | <table border="1"> <tr> <td>Steel</td> <td>6PA80</td> </tr> <tr> <td>Steel</td> <td>6PA82</td> </tr> <tr> <td>Nylon</td> <td>6PA102</td> </tr> </table> | Steel | 6PA80 | Steel | 6PA82 | Nylon | 6PA102 |
| Steel | 6PA80 | | | | | | | |
| Steel | 6PA82 | | | | | | | |
| Nylon | 6PA102 | | | | | | | |

60mm radius levers Part # PA-J11

| | | | | | | | | | | | | | | | | | |
|--|---|-----------------|-------|---------------|-----------------|-------|---------------|------------------|-------|---------------|------------------|-------|---------------|-----------------|-------|---------------|--|
|  | <p>Hand operated aluminum button on stainless steel lever.</p> | <p>6PA57</p> | | | | | | | | | | | | | | | |
|  | <p>Adjustable roller arm with steel or nylon rollers.</p> <table border="1" data-bbox="430 414 686 670"> <tr> <td>.75 dia. roller</td> <td>Steel</td> <td>LSZ52D</td> </tr> <tr> <td>.75 dia. roller</td> <td>Nylon</td> <td>LSZ52C</td> </tr> <tr> <td>1.00 dia. roller</td> <td>Nylon</td> <td>LSZ52J</td> </tr> <tr> <td>1.50 dia. roller</td> <td>Nylon</td> <td>LSZ52K</td> </tr> <tr> <td>2.00 dia. lever</td> <td>Nylon</td> <td>LSZ52M</td> </tr> </table> | .75 dia. roller | Steel | LSZ52D | .75 dia. roller | Nylon | LSZ52C | 1.00 dia. roller | Nylon | LSZ52J | 1.50 dia. roller | Nylon | LSZ52K | 2.00 dia. lever | Nylon | LSZ52M | |
| .75 dia. roller | Steel | LSZ52D | | | | | | | | | | | | | | | |
| .75 dia. roller | Nylon | LSZ52C | | | | | | | | | | | | | | | |
| 1.00 dia. roller | Nylon | LSZ52J | | | | | | | | | | | | | | | |
| 1.50 dia. roller | Nylon | LSZ52K | | | | | | | | | | | | | | | |
| 2.00 dia. lever | Nylon | LSZ52M | | | | | | | | | | | | | | | |

| | | | | |
|--------------------|-------------|--------------|---------------|---------------|
| 1LS56 201LS56 | 2MN8 | 2MN13 | 9PA74† | Note 2 |
| 1LS58 | 2MN8 | — | 9PA16† | LSZ52C |
| 1LS131 | 2MN8 | — | 9PA50 | 6PA121 |
| 1LS501 201LS501 | 2MN1 | 2MN14 | 9PA15 | 6PA121 |

†Furnished without actuator.

Note 1—Any auxiliary actuator shown can be used with these listings.

Note 2—6PA43, 6PA63, 6PA71 or 6PA121 auxiliary actuators only are recommended for these listings.

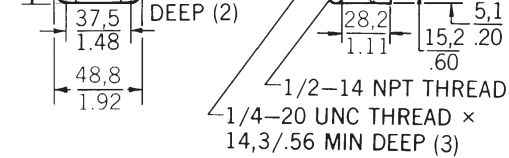
Note 3—Yoke lever actuators normally used.

CONDUIT SEALING PACKETS

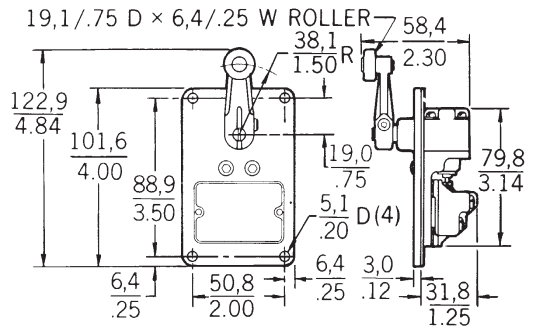
| Packet | Cable O.D. Inches |
|--------|-------------------|
| 2PA6 | .400"—.435" |
| 2PA16 | .435"—.470" |
| 2PA1 | .530"—.570" |

(See page A49 for description)

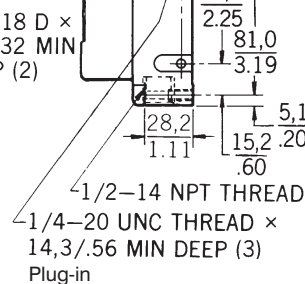
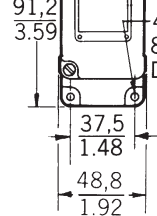
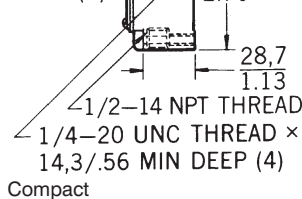
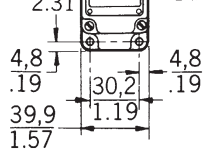
| | | | | |
|--------------------|--------------|-------------|--------------|------|
| 8LS3 208LS3 | 2MN1 | 2MN6 | 9PA49 | None |
| 8LS125 208LS125 | 2MN11 | 2MN9 | 9PA54 | None |
| 8LS152 208LS152 | 2MN1 | 2MN6 | 9PA42 | None |



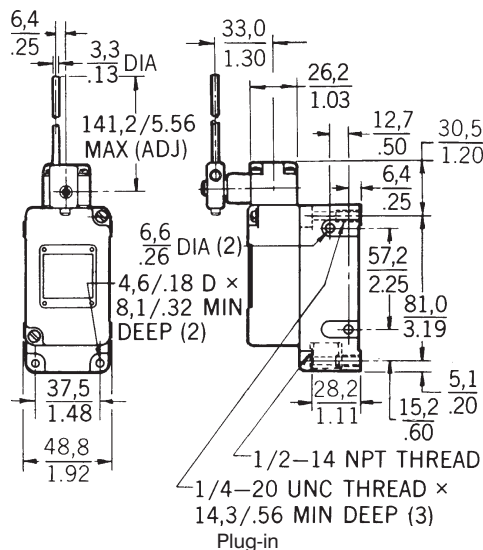
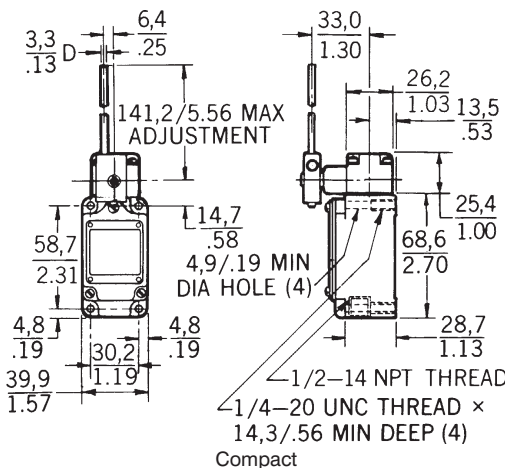
Plug-in



Cavity mount



ADJUSTABLE LENGTH ROD



14,3/.56 MIN DEEP (4)
Compact (spring-rod)

1/4-20 UNC THREAD x
14,3/.56 MIN DEEP (3)
Plug-in (wire)

Key: $\frac{0,0 = \text{mm}}{0.00 = \text{inches}}$

X-ON Electronics

Largest Supplier of Electrical and Electronic Components

Click to view similar products for [Limit Switches](#) category:

Click to view products by [Honeywell](#) manufacturer:

Other Similar products are found below :

[5ML1-E1](#) [5ML31](#) [LZG1](#) [LZL1-6C](#) [622EN114-R](#) [622EN18-6](#) [622EN224-6B](#) [622EN230](#) [622EN237-R](#) [622EN69-3](#) [622EN85-RB](#) [MA-10019](#)
[6PA109](#) [7LS51](#) [83547001](#) [83725002](#) [83830001](#) [83840701](#) [83841001](#) [83881140](#) [8AS42](#) [8LS10](#) [8LS125-4PG](#) [8LS152-4PGN20](#) [914CE16-](#)
[3A](#) [914CE3-3L1](#) [915PA10](#) [91MCE16-P2O](#) [924CE16-Y3](#) [924CE1-S6](#) [924CE1-T25A](#) [924CE1-T3](#) [924CE1-T9A](#) [924CE2-T9](#) [924CE31-Y20-](#)
[X5](#) [924CE31-Y3L1](#) [GL-10054](#) [GLAB26J2B](#) [GLDB03C-6](#) [GLDC05C](#) [GLZ324](#) [PS21R-NT11N7-YK0](#) [H3141CAKAA](#) [RDI-G-L5B](#) [DD-](#)
[10000](#) [DT-2R3-A7](#) [14CE16-3N28](#) [14CE18-N15](#) [151ML3-E1](#) [E3102BAAAA](#)