

MICRO SWITCH

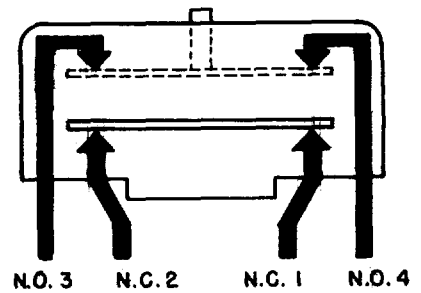
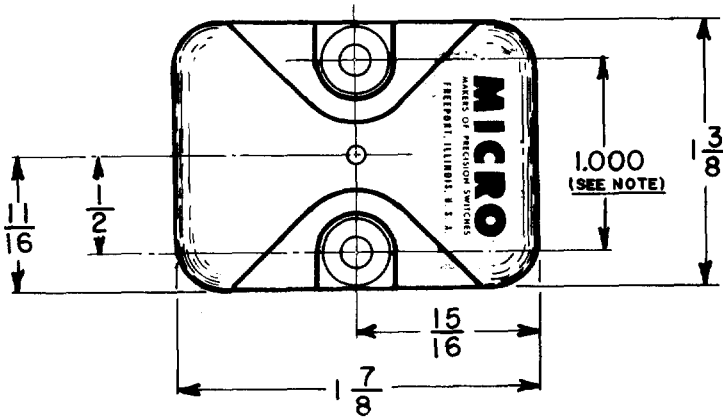
a Honeywell Division

FED. MF6. CODE 91929

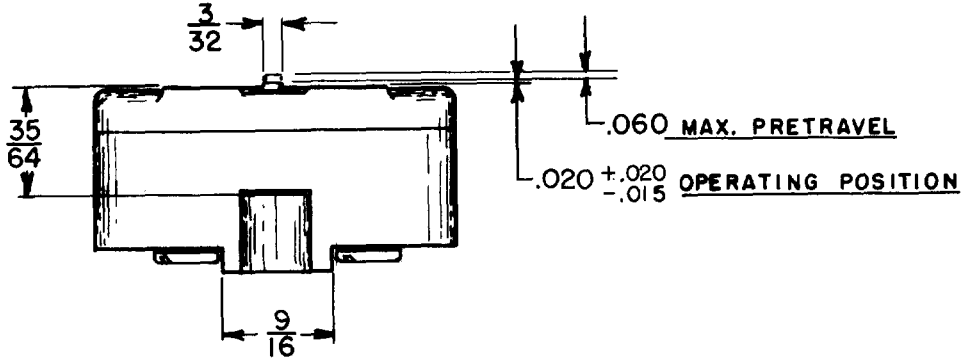
SWITCH - BASIC

CATALOG LISTING

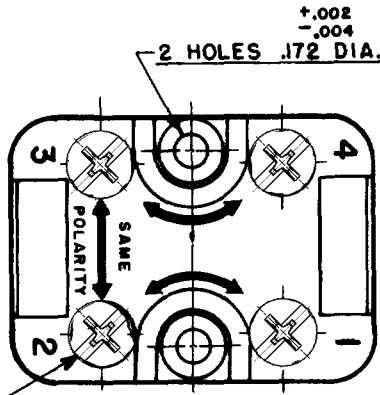
IMNI



CIRCUIT DIAGRAM

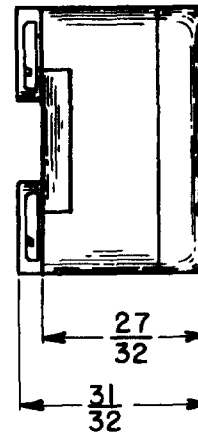


CATALOG LISTING
 IMNI
 PAGE 1 OF 1
 RELEASE NO. PR-3259
 REPLACES
 ISSUE
 M
 6
 CHECK
 REVISIONS
 A
 CO-73287M
 GJW
 18 MAY 95
 CHECK
 JJA
 25 MAY 95
 CHECK
 GJW
 18 MAY 95
 DRAWN
 FORMTEK



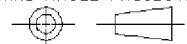
NOTE

1 - MOUNTING HOLES WILL ACCEPT NO. 8 SCREWS ON 1.000 ± .002 CENTERS



THIS DRAWING COVERS A PROPRIETARY ITEM AND IS THE PROPERTY OF MICRO SWITCH, A DIVISION OF HONEYWELL. THIS DRAWING IS NOT TO BE COPIED OR USED WITHOUT THE APPROVAL OF MICRO SWITCH.

THIRD ANGLE PROJECTION



CHARACTERISTICS	ELECTRICAL DATA	SCALE FULL	DO NOT SCALE PRINT
OPERATING FORCE-----12-20 OZ.	CONTACT ARRANGEMENT SEE CIRCUIT DIAGRAM	UNLESS OTHERWISE SPECIFIED TOLERANCES ARE	
RELEASE FORCE -----6 OZ. MIN.	10 A-120,240,480 OR 600 VAC; 1/2 HP-120 VAC, 1 H.P.-240 VAC, 0.8 A-115 VDC, 0.4 A-230 VDC PILOT DUTY RATING: 600 VAC MAX.	ONE PLACE (.0)	±.030
DIFFERENTIAL TRAVEL ---.020±.008		TWO PLACE (.00)	±.015
OVERTRAVEL-----.010 MIN.		THREE PLACE (.000)	±.005
		ANGLES	±
		WEIGHT	

X-ON Electronics

Largest Supplier of Electrical and Electronic Components

Click to view similar products for [Limit Switches](#) category:

Click to view products by [Honeywell](#) manufacturer:

Other Similar products are found below :

[5ML1-E1](#) [5ML31](#) [LZG1](#) [LZL1-6C](#) [622EN114-R](#) [622EN18-6](#) [622EN224-6B](#) [622EN230](#) [622EN237-R](#) [622EN69-3](#) [622EN85-RB](#) [MA-10019](#)
[6PA109](#) [7LS51](#) [83547001](#) [83725002](#) [83830001](#) [83840701](#) [83841001](#) [83881140](#) [8AS42](#) [8LS10](#) [8LS125-4PG](#) [8LS152-4PGN20](#) [914CE16-](#)
[3A](#) [914CE3-3L1](#) [915PA10](#) [91MCE16-P2O](#) [924CE16-Y3](#) [924CE1-S6](#) [924CE1-T25A](#) [924CE1-T3](#) [924CE1-T9A](#) [924CE2-T9](#) [924CE31-Y20-](#)
[X5](#) [924CE31-Y3L1](#) [GL-10054](#) [GLAB26J2B](#) [GLDB03C-6](#) [GLDC05C](#) [GLZ324](#) [PS21R-NT11N7-YK0](#) [H3141CAKAA](#) [RDI-G-L5B](#) [DD-](#)
[10000](#) [DT-2R3-A7](#) [14CE16-3N28](#) [14CE18-N15](#) [151ML3-E1](#) [E3102BAAAA](#)