

## Interactive Catalog Supplements Catalog PDFs

If you need detailed product information, or help choosing the right product for your application, see our **Interactive Catalog**. Use the **Interactive Catalog** to access the most complete and up-to-date information available.

The **Interactive Catalog** provides an extensive collection of product specifications, application data, and technical literature that can be searched based on criteria you select.

This PDF catalog information was published in November 2000.



Sensing and Control  
**Interactive  
Catalog...**

**Click this icon to try  
the Interactive Catalog.**

---

### Sensing and Control

Honeywell Inc.

11 West Spring Street

Freeport, IL 61032

Side mount with seal boot



Side mount without seal boot

**ROLLER PLUNGER  
ACTUATED SWITCHES**



Side mount with seal boot

For rapid response – off the shelf service, all **bold face** listings are normally stocked items.

DPDT.		Flange	<b>DTV6-2RN</b>	71,4 ± 0,76 2.812 ± .030	16,4 26-59			
Without seal boot. SPDT.	A	Side	<b>BZE6-2RQ</b>	38,1 ± 0,76 1.500 ± .030	2,50- 3,62 9-13	0,38 .015	5,56 .219	0,05 .002
		Flange	<b>BZV6-2RQ</b>	63,5 ± 1,14 2.500 ± .045				

**ORDER GUIDE**

Description	Elec. Rating	Mtg.	Catalog Listing	O.P. mm in.	O.F. N oz.	P.T. max. mm in.	O.T. min. mm in.	D.T. max. mm in.
With seal boot. Roller parallel to long axis of switch. SPDT	A	Side	<b>BZE6-2RN80</b>	56,7 ± 1,14 2.232 ± .045	2,50- 6,68 9-24	1,98 .078	5,55 .219	0,05 .002
		Flange	<b>BZV6-2RN80</b>	82,1 ± 1,14 3.232 ± .045				
With seal boot. Roller parallel to long axis of switch. DPDT.	B	Side	<b>DTE6-2RN80</b>	59,6 ± 1,0 2,345 ± .040	5,56- 13,3 20-48	2,80 .110	3,17 .125	1,53 .060
Without seal boot. Roller parallel to long axis of switch. SPDT.	A	Side	<b>BZE6-2RQ8</b>	49,6 ± 1,14 1.953 ± .045	2,50- 3,62 9-13	0,38 .015	3,55 .140	0,05 .002
		Flange	<b>BZV6-2RQ8</b>	75 ± 1,52 2.953 ± .060				

N = Newtons

Characteristics: O.F. — Operating Force; P.T. — Pretravel; O.T. — Overtravel; D.T. — Differential Travel; O.P. — Operating Position.

Side mount  
without seal boot

### ONE-WAY ROLLER LEVER ACTUATED SWITCHES



Side mount  
with seal boot

### LOW FORCE ROD LEVER

Rod can be formed in-line with the switch once, or cut, for application.



Flange mount  
without seal boot

### ORDER GUIDE

Description	Elec. Rating	Mtg.	Catalog Listing	O.F. N oz.	P.T. max. mm in.	O.T. min. mm in.	D.T. max. mm in.
With seal boot. Field adjustable 360° horizontally and 180° vertically. SPDT.	A	Side	<b>BZE6-2RN28</b>	2,22-5,57 8-20	5,95 .234	5,56 .219	0,15 .006
		Flange	<b>BZV6-2RN28</b>				

### ORDER GUIDE

Description	Elec. Rating	Mtg.	Catalog Listing	O.F. N oz.	P.T. max. mm in.	O.T. min. mm in.	D.T. max. mm in.
Without seal boot. Field adjustable 360° horizontally in 45° increments and 250° vertically. SPDT.	A	Side	<b>BZE6-2RQ62</b>	0,55-1,39 2-5	18,24 .718	21,2 .838	5,82 .229
		Flange	<b>BZV6-2RQ62</b>				
As above, but with seal boot.	A	Side	<b>BZE6-2RN62</b>	0,83-1,95 3-7			
		Flange	<b>BZV6-2RN62</b>				

N = Newtons

Characteristics: O.F. — Operating Force; P.T. — Pretravel; O.T. — Overtravel; D.T. — Differential Travel

## STRAIGHT PLUNGER ACTUATED (RESET) SWITCHES



Side mount  
with seal boot

### ORDER GUIDE

Description	Elect. Rating	Mtg.	Catalog Listing	O.P. mm in.	O.F. N oz.	P.T. max. mm in.	O.T. min. mm in.	Reset O.F. min. N* oz.
Without seal boot. SPDT.	C	Side	<b>BZE6-RQX2</b>	38,1±0,76 1.500±.030	1,66- 2,65 6-9.5	0,31 .012	4,75 .187	2,22 8
		Flange	BZV6-RQX2	63,5±1,1 2.500±.045				
With seal boot. SPDT.	C	Side	<b>BZE6-RNX1</b>	43,66±0,76 1.718±.030	1,66- 5,57 6-20	1,98 .078	4,75 .187	1,66 6
		Flange	BZV6-RNX1	69,1±1,53 2.720±.060				

## ROLLER PLUNGER ACTUATED (RESET) SWITCHES



Side mount  
without seal boot

### ORDER GUIDE

Description	Elect. Rating	Mtg.	Catalog Listing	O.P. mm in.	O.F. N oz.	P.T. max. mm in.	O.T. min. mm in.	Reset O.F. min. N* oz.
Without seal boot. Roller parallel to long axis to switch. SPDT.	C	Side	<b>BZE6-RQ8X2</b>	51,2±1,15 2.015±.045	1,67- 2,64 6-9.5	0,31 .012	3,56 .140	2,22 8

N = Newtons

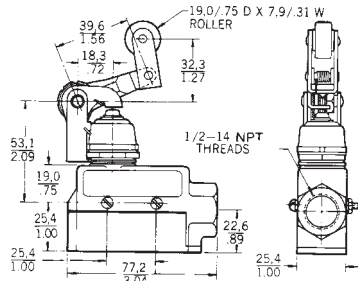
Characteristics: O.F. — Operating Force; P.T. — Pretravel; O.T. — Overtravel; O.P. — Operating Position

BZE6-2RN80	3PA13-E6	10PA2	1PA54-BZ*	BZ-2RN784	—
BZE6-2RN2 BZV6-2RN2	3PA13-E6 3PA14-V6	10PA2	1PA13*	BZ-2RN702**	6PA2*
BZE6-2RQ2 BZV6-2RQ2	3PA13-E6 3PA14-V6	—	1PA3	BZ-2RQ68**	6PA1
BZE6-2RN28 BZV6-2RN28	3PA13-E6 3PA14-V6	10PA2	1PA13*	BZ-2RN702**	6PA16*
BZE6-2RQ62 BZV6-2RQ62	3PA13-E6 3PA14-V6	—	1PA3	BZ-2RQ68**	6PA62
BZE6-2RN62 BZV6-2RN62	3PA13-E6 3PA14-V6	10PA2	1PA13*	BZ-2RN702**	6PA140-E6*
BZE6-2RQ4 BZV6-2RQ4	3PA13-E6 3PA14-V6	—	1PA3	BZ-2RQ68**	6PA7
BZE6-RQX2 BZV6-RQX2	8PA54-E6 8PA53-V6	—	1PA1	BZ-RQX66**	—
BZE6-RNX1 BZV6-RNX1	8PA56-E6 8PA55-V6	10PA2	1PA2*	BZ-RQX167**	—
BZE6-RQ8X2	8PA54-E6	—	1PA19	BZ-RQX784**	—
BZE6-RQ2X2 BZV6-RQ2X2	8PA54-E6 8PA53-V6	—	1PA3	BZ-RQX68**	6PA1
BZE6-RN2X1 BZV6-RN2X1	8PA56-E6 8PA55-V6	10PA2	1PA13*	BZ-RNX702**	6PA2*
BZE6-2RN4 BZV6-2RN4	3PA13-E6 3PA14-V6	10PA2	1PA13*	BZ-2RN702**	6PA9*
BZE6-2RN18 BZV6-2RN18	3PA13-E6 3PA14-V6	10PA2	—	BZ-2R-A2	6PA195*
DTE6-2RN† DTV6-2RN†	3PA13-E6 3PA14-V6	10PA2	1PA2*	DT-2R-A7	8PA14
DTE6-2RN2† DTV6-2RN2†	3PA13-E6 3PA14-V6	10PA2	—	DT-2R-A7	6PA2*

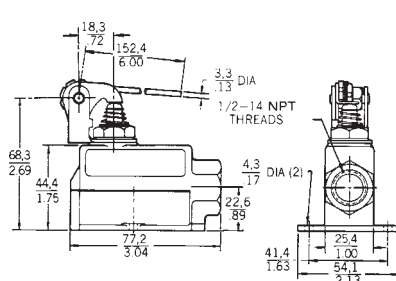
\*Includes seal boot.

\*\*Includes basic packet.

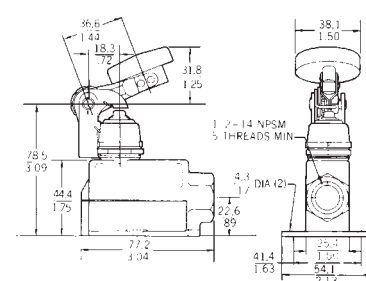
†To replace internal plunger, order 8PA14.



Side mount with seal boot

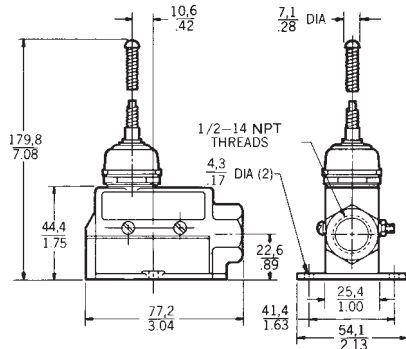


Flange mount without seal boot



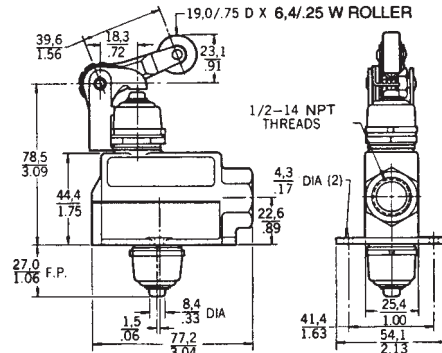
Side mount with seal boot

**COIL SPRING**

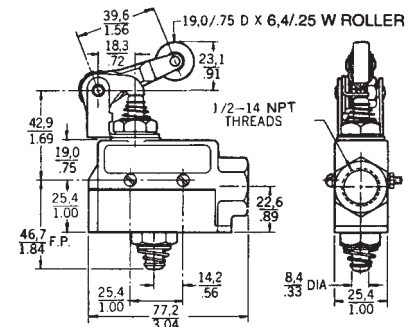


Flange mount with seal boot

**ROLLER LEVER (Reset)**



Flange mount with seal boot



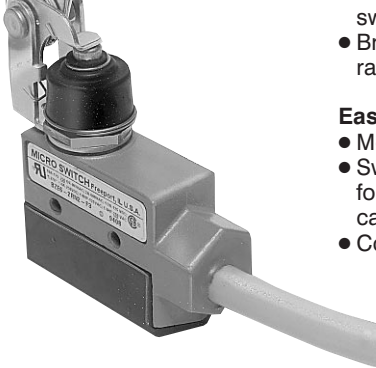
Side mount without seal boot

### Designed for demanding environments

- Rugged zinc diecast housing with phosphate sealed epoxy finish

### Resists harsh conditions

- Switch wiring cavity is epoxy filled
- Wire entry area completely factory sealed
- NEMA 1, 3, 4, 12, 13



- switch within housing
- Broad electrical and temperature ranges

### Easy and economical to install

- Mounts with just two screws
- Switch is preleaded with three (3) foot, four (4) conductor STOOW-A cable .41-.46 in. (10.4-11.7 mm)
- Connector versions available

## ORDERING GUIDE FOR EPOXY FILLED E6/V6 TYPES

Description	Catalog Listing
Straight plunger.	BZE6-2RN-F3
Straight plunger 4 pin connector.	BZE6-2RN-FR
Roller lever. Field adjustable 360° horizontally and 225° vertically	BZE6-2RN2-F3
Coil spring wobble lever. Operates from any direction except pull.	BZE6-2RN18-C3*
Low force rod lever. Field adjustable 360° horizontally in 45° increments and 180° vertically.	BZE6-2RN62-F3

\* Note: This switch has a pin plunger and the wiring cavity cannot be completely filled with epoxy. They are sealed at the conduit opening only.

## X-ON Electronics

Largest Supplier of Electrical and Electronic Components

*Click to view similar products for [Screws & Fasteners](#) category:*

*Click to view products by [Honeywell](#) manufacturer:*

Other Similar products are found below :

[5721-1440-1/4-SS](#) [593503FX](#) [0098.0094](#) [0098.9206](#) [0098.9219](#) [0098.9262](#) [596-2114-013](#) [59781-6](#) [0098.0026](#) [0098.9210](#) [0098.9212](#) [60227-01](#) [60227-04](#) [60227-08](#) [60687-01](#) [LOCK WASHER Black](#) [62153-03](#) [62153-11](#) [M316-KSSTMCZ100](#) [M3440-SS](#) [M3442-SS](#) [M3448-SS](#) [6292-1](#) [6-306105-9](#) [6-306131-4](#) [690432-1](#) [699161-000](#) [7230-3](#) [7244](#) [7248-1](#) [7248-2](#) [745564-1](#) [F1209](#) [751-00001](#) [7680](#) [809704-1](#) [8700](#) [8860220](#) [9047](#) [9521](#) [992326-6](#) [992763-3](#) [1-18024-0](#) [1-18028-2](#) [A168P1](#) [A495P1](#) [1-24921-1](#) [125416-1](#) [1260](#) [13-0036](#) [1301810148](#)