

**IPB16**

PAGE 1 OF 1

REPLACES

RELEASE NO.

**M**

DRAWING NUMBER

ISSUE

7

CHECK

REVISIONS

A	NEW DWG 035539	22 OCT 98
B	CO- 93593 PPF	22 OCT 98
C	CO- 94273 G J W	15 APR 99

CHECK

CHECK

CHECK

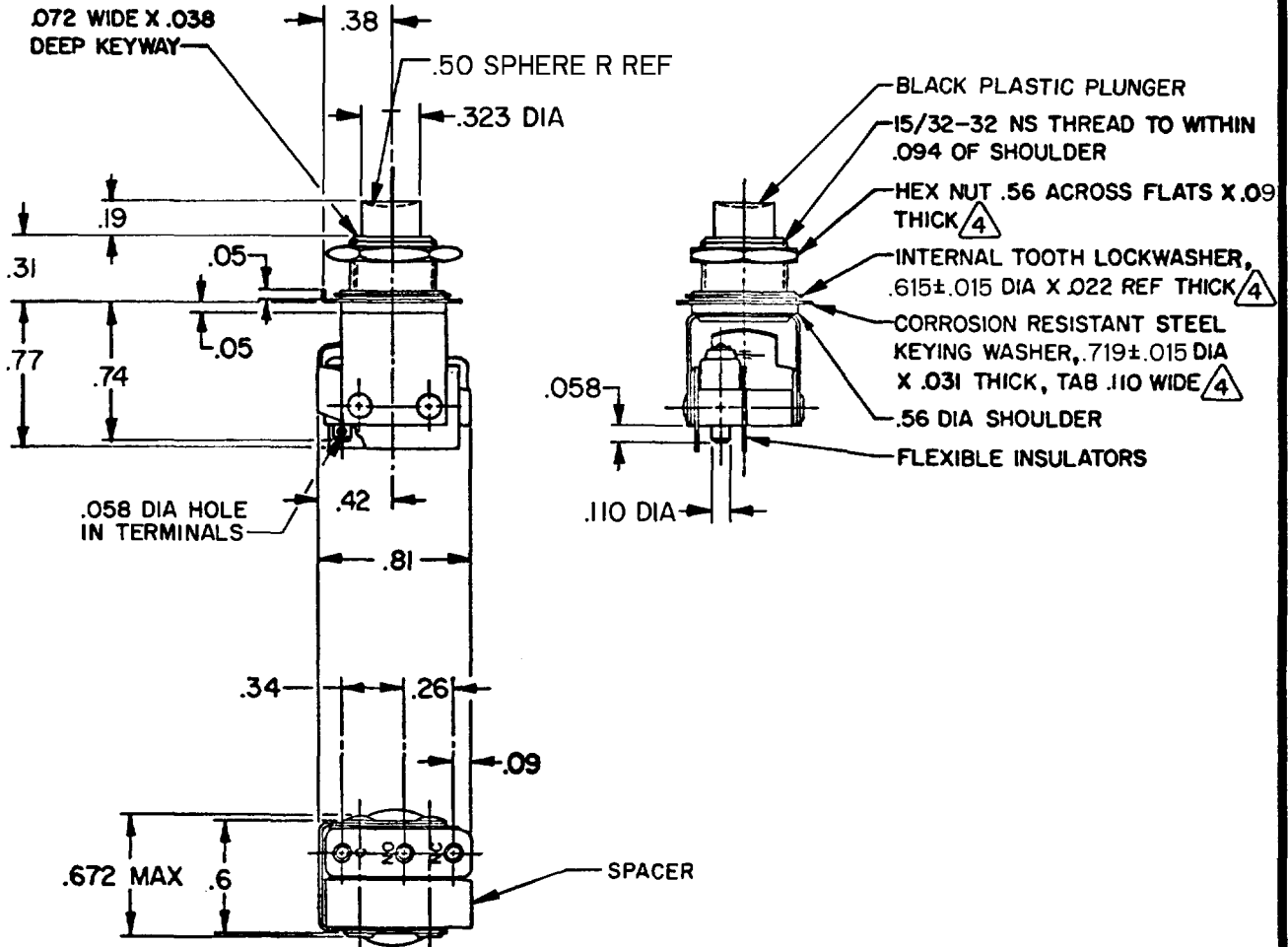
CHECK

CHECK

CHECK

CHECK

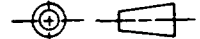
CHECK



- NOTE—**
- 1 - UNIT INCLUDES CATALOG LISTING "ISM" TYPE BASIC SWITCH
  - 2 - TERMINALS ARE PLATED FOR SOLDERING
  - 3 - UNIT WILL PERFORM SATISFACTORILY IN TEMPERATURES TO -65°F
  - 4 - MOUNTING HARDWARE FURNISHED UNASSEMBLED

THIS DRAWING COVERS A PROPRIETARY ITEM AND IS THE PROPERTY OF MICRO SWITCH, A DIVISION OF HONEYWELL. THIS DRAWING IS NOT TO BE COPIED OR USED WITHOUT THE APPROVAL OF MICRO SWITCH.

THIRD ANGLE PROJECTION



**CHARACTERISTICS**

OPERATING FORCE — I LB APPROX

**ELECTRICAL DATA**

CONTACT ARRANGEMENT  
 S P D T

250 VAC	5 AMP
<b>30 VOLTS DC RATING</b>	
INDUCTIVE	SEA LEVEL — 3 AMP
	50,000 FT — 2.5 AMP
RESISTIVE	SEA LEVEL — 5 AMP
	50,000 FT — 5 AMP
MAXIMUM INRUSH	24 AMP

**SCALE FULL**

DO NOT SCALE PRINT

**TOLERANCES**

APPLY TO DESIGN UNITS. CONVERSIONS ARE ONLY FOR REFERENCE. UNLESS NOTED, TOLERANCES ARE ±

	DIM. mm	TOL. mm/in	DIM. in	TOL. mm/in
NO PLACES	X	±.04	X	±.0015
ONE PLACE	X,X	0.4/.018	X,X	0.01/.005
TWO PLACES	X,X,X	0.16/.008	X,X,X	0.005/.0025
THREE PLACES	X,X,X,X	0.075/.004	X,X,X,X	0.0025/.001
ANGLES				

DESIGN UNITS  SI METRIC  US CUSTOMARY

WEIGHT

FORMTEK

FO-52848-A

DRAWN

K P K II JUN 75

## X-ON Electronics

Largest Supplier of Electrical and Electronic Components

*Click to view similar products for [Pushbutton Switches](#) category:*

*Click to view products by [Honeywell](#) manufacturer:*

Other Similar products are found below :

[LW1L-M1C10V-A](#) [LW2L-A1C20M-GD](#) [LW2L-M1C20M-A](#) [60324L](#) [M7E-HRN2](#) [67021K512](#) [67081K512X](#) [701PB580](#) [719-5504-000](#)  
[MDPSSGLFS](#) [810KSV30B](#) [MML23KA3AC05K-001](#) [MML23KW3AA01W](#) [8418K2](#) [8646AB6X718UL](#) [8646ABUL](#) [FSDWH](#) [9001KXRK](#)  
[9001T8BK](#) [9533CD4+U574+U4922](#) [1203MRA](#) [A22EM01S](#) [A595](#) [1202A6](#) [12037A2ULCSA](#) [1203A2UL](#) [ABD122N-B](#) [1211390004](#)  
[ABN111-Y](#) [1211500044](#) [1211580012](#) [1212MRA](#) [1232A6NF](#) [RA3CSH6A](#) [1241.1183.7047](#) [1241.2511](#) [1241.3428](#) [1223A2ULCSA](#)  
[1223MRA](#) [1232AX2119](#) [1241.1183.8000](#) [1241.1183.8029](#) [1241.2506](#) [1241.2606](#) [12MA6](#) [1301940184](#) [RELBARF6X10\(PLASTIC\)](#)  
[13435AG](#) [13440AD2G25X822+U4546](#) [13445A4GX768](#)