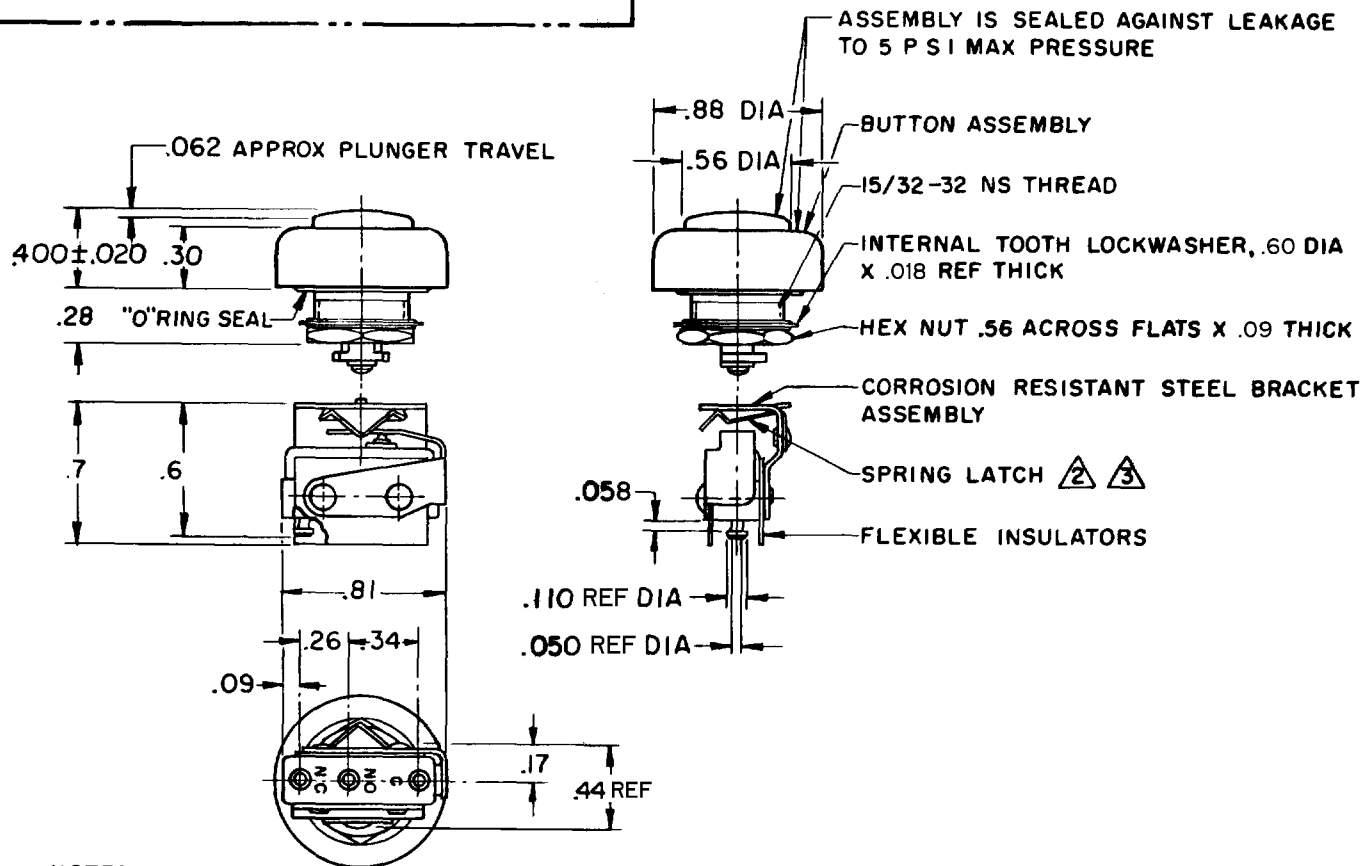
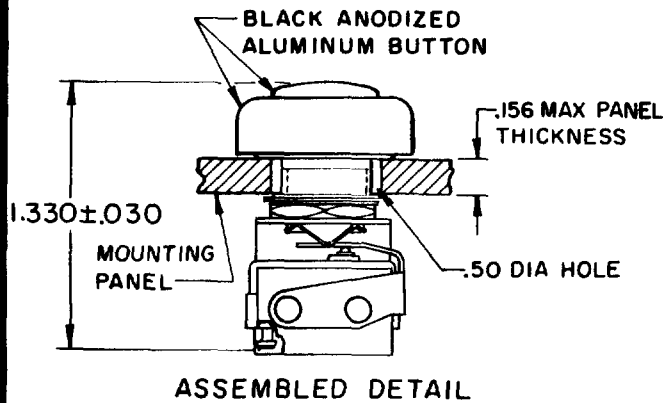


MICRO SWITCH

FREERPORT ILLINOIS, U.S.A
A DIVISION OF HONEYWELL
FED. MFG. CODE 91929

ASSEMBLY - PUSHBUTTON SWITCH

CATALOG LISTING
IPB403-T



NOTES

- 1- UNIT INCLUDES CATALOG LISTING 11SM TYPE BASIC SWITCH
- 2 SPRING LATCH PERMITS ASSEMBLY AND DISASSEMBLY AS REQUIRED
- 3 "D" SHAPED HOLE IN SPRING LATCH PREVENTS ROTATION BETWEEN THE TWO PARTS
- 4- ASSEMBLY IS COMPLETED AFTER INSTALLING BUTTON TO PANEL
- 5- TERMINALS ARE PLATED FOR SOLDERING
- 6- BASIC SWITCH HAS 24K SOLID GOLD CONTACTS

THIS DRAWING COVERS A PROPRIETARY ITEM AND IS THE PROPERTY OF MICRO SWITCH, A DIVISION OF HONEYWELL. THIS DRAWING IS NOT TO BE COPIED OR USED WITHOUT THE APPROVAL OF MICRO SWITCH.

CHARACTERISTICS

OPERATING FORCE - - - - - 2 LB MAX

ELECTRICAL DATA

CONTACT ARRANGEMENT
S P D T

30 VOLTS DC RATING

INDUCTIVE - - - - - SEA LEVEL - - - 1/2 AMP
50,000 FT - - - 1/2 AMP
RESISTIVE - - - - - SE LEVEL - - - 1 AMP
50,000 FT - - - 1 AMP
MAXIMUM INRUSH - - - - - 2 AMP

SCALE FULL

DO NOT SCALE PRINT

UNLESS OTHERWISE NOTED

DIMENSIONS ARE IN INCHES

TOLERANCES ARE:

ONE PLACE (.0) ± .030
TWO PLACE (.00) ± .015
THREE PLACE (.000) ± .005
ANGLES ±

WEIGHT

IPB403-T

PAGE 1 OF 1

REPLACES PR-695

RELEASE NO.

M

DRAWING NUMBER

ISSUE 2

CHECK

REVISIONS

A C095143
DLT
15 JUL 99

CHECK

6 MAY 69

DCS

CHECK

69

MBS

2 MAY 69

69

FORMTEK

0-50378-1A

DRAWN

X-ON Electronics

Largest Supplier of Electrical and Electronic Components

Click to view similar products for [Pushbutton Switches](#) category:

Click to view products by [Honeywell](#) manufacturer:

Other Similar products are found below :

[8940K2012](#) [LW1L-M1C10V-A](#) [LW1L-M1C70-A](#) [LW2L-A1C20M-GD](#) [LW2L-M1C20M-A](#) [60324L](#) [M22-D-R-GB0/K11](#) [M7E-HRN2](#)
[67021K512](#) [67081K512X](#) [701PB580](#) [7190K101](#) [7199K101](#) [810K12910](#) [810KSV30B](#) [MML21EA2ADK](#) [MML21KA3ABK](#)
[MML23KA3AC05K-001](#) [MML23KW3AA01W](#) [8418K2](#) [8442K3](#) [8450K1](#) [860K11911T01A](#) [861901](#) [861K11911T01A07](#)
[861K13810T00A14](#) [861K13911](#) [8646AB6X718UL](#) [8646ABUL](#) [9001KXRK](#) [907AYY100](#) [PMHD155A1](#) [95-313.000](#)
[9533CD4+U574+U4922](#) [95-414.000](#) [99-450.837](#) [99-453.837](#) [PV3H2B0NN-341](#) [1203MRA](#) [A22NZBGANGA](#) [A22NZBMMNGA](#)
[A22NZBNANGA](#) [A22NZMPATRA](#) [A2PMA1X03EC56](#) [A3A-5123-02](#) [A3A-7140](#) [A3A-7310](#) [A3A-7340](#) [A3U-TMW-A2C-5M](#) [A595](#)