

MICRO SWITCH

FREERPORT ILLINOIS, U.S.A
A DIVISION OF HONEYWELL
FED. MFG. CODE 91929

ASSEMBLY - PUSHBUTTON SWITCH

CATALOG LISTING
IPB542

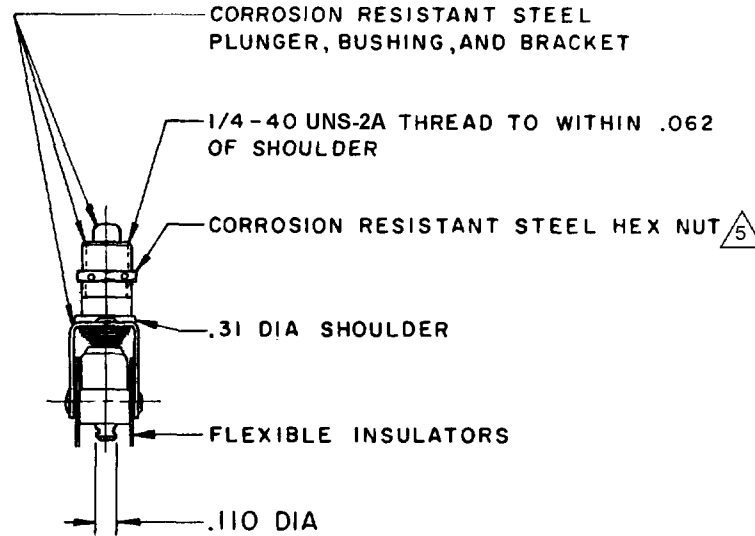
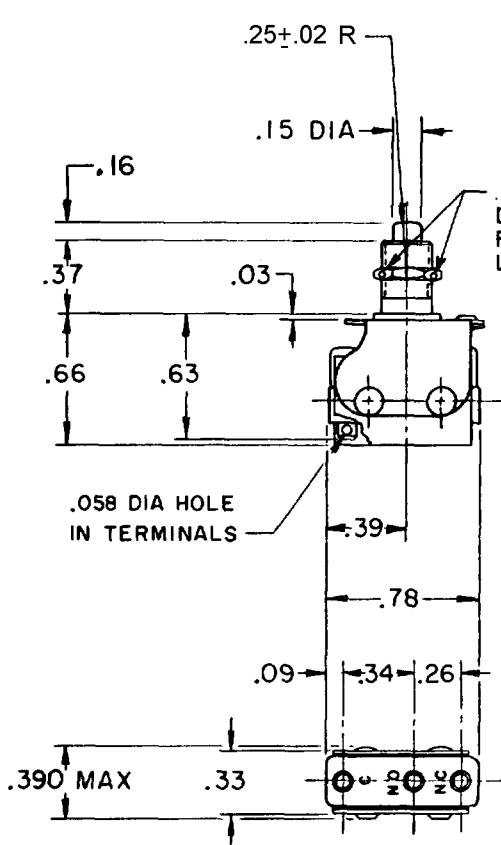
CATALOG LISTING
IPB542
PAGE 1 OF 1
RELEASE NO. PR-7047
REPLACES

M
DRAWING NUMBER
8
ISSUE

REVISIONS

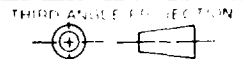
A	PR 7047	CSL	29 MAR 78
B	CO 53488	WJM	15 JUL 83
C	201143	CSL	1 SEP 00
D	201411	CSL	2 OCT 00
E	0018502	PM	27 FEB 06

FO-52848-A
DRAWN
S L B 23 MAR 78
CHECK
C E B 29 MAR 78



- NOTES**
- 1 - UNIT INCLUDES "11SM" BASIC SWITCH
 - 2 - TERMINALS ARE PLATED FOR SOLDERING
 - 3 - RECOMMENDED FOR MANUAL OPERATION ONLY
 - 4 - FOR USE IN TEMPERATURE RANGE -65° F TO +400° F
- △ MOUNTING HARDWARE FURNISHED UNASSEMBLED

THIS DRAWING COVERS A PROPRIETARY ITEM AND IS THE PROPERTY OF MICRO SWITCH, A DIVISION OF HONEYWELL. THIS DRAWING IS NOT TO BE COPIED OR USED WITHOUT THE APPROVAL OF MICRO SWITCH.



CHARACTERISTICS	
OPERATING FORCE	----- 2 LBS MAX
OVERTRAVEL FORCE	----- 2.5 LBS MAX
RELEASE FORCE	----- 2 OZ MIN
OVERTRAVEL	----- .100 MIN
DIFFERENTIAL TRAVEL	----- .031 MAX

ELECTRICAL DATA	
CONTACT ARRANGEMENT S P D T	
250 VAC	----- 5 AMP
30 VOLTS DC RATING	
INDUCTIVE	----- SEA LEVEL --- 3 AMP
	50,000 FT --- 2.5 AMP
RESISTIVE	----- SEA LEVEL --- 5 AMP
	50,000 FT --- 5 AMP
MAXIMUM INRUSH	----- 24 AMP

SCALE FULL	
DO NOT SCALE PRINT	
TOLERANCES	
APPLY TO DESIGN UNITS. CONVERSIONS ARE ONLY FOR REFERENCE UNLESS NOTED. TOLERANCES ARE ±	
DIM. mm	TOL. mm/in
NO PLACES	X 1/04
ONE PLACE	X,X 0.4/016
TWO PLACES	X,XX 0.15/009
THREE PLACES	X,XXX 0.13/005
ANGLES	
DESIGN UNITS	<input type="checkbox"/> METRIC <input checked="" type="checkbox"/> US CUSTOMARY
WEIGHT	

X-ON Electronics

Largest Supplier of Electrical and Electronic Components

Click to view similar products for [Pushbutton Switches](#) category:

Click to view products by [Honeywell](#) manufacturer:

Other Similar products are found below :

[8940K2012](#) [LW1L-M1C10V-A](#) [LW1L-M1C70-A](#) [LW2L-A1C20M-GD](#) [LW2L-M1C20M-A](#) [60324L](#) [M22-D-R-GB0/K11](#) [M7E-HRN2](#)
[67021K512](#) [67081K512X](#) [701PB580](#) [7190K101](#) [7199K101](#) [810K12910](#) [810KSV30B](#) [MML21EA2ADK](#) [MML21KA3ABK](#)
[MML23KA3AC05K-001](#) [MML23KW3AA01W](#) [8418K2](#) [8442K3](#) [8450K1](#) [860K11911T01A](#) [861901](#) [861K11911T01A07](#)
[861K13810T00A14](#) [861K13911](#) [8646AB6X718UL](#) [8646ABUL](#) [9001KXRK](#) [907AYY100](#) [PMHD155A1](#) [95-313.000](#)
[9533CD4+U574+U4922](#) [95-414.000](#) [99-450.837](#) [99-453.837](#) [PV3H2B0NN-341](#) [1203MRA](#) [A22NZBGANGA](#) [A22NZBMMNGA](#)
[A22NZBNANGA](#) [A22NZMPATRA](#) [A2PMA1X03EC56](#) [A3A-5123-02](#) [A3A-7140](#) [A3A-7310](#) [A3A-7340](#) [A3U-TMW-A2C-5M](#) [A595](#)