

MICRO SWITCH

FREEMONT ILLINOIS, U.S.A.
A DIVISION OF HONEYWELL

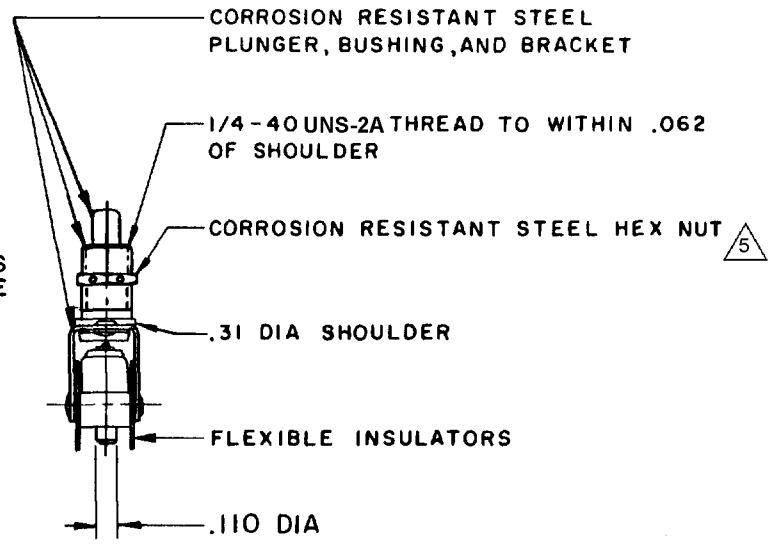
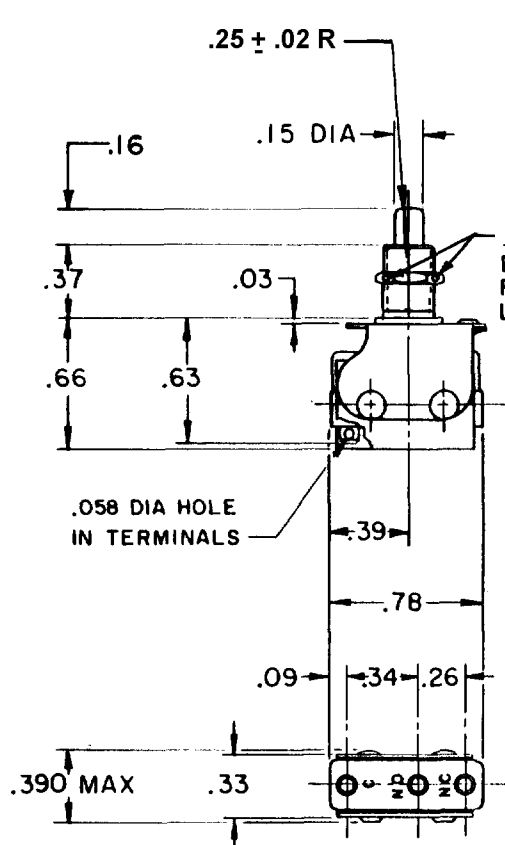
FED. MFG. CODE 91929

ASSEMBLY- PUSHBUTTON SWITCH

CATALOG LISTING

IPB544

CATALOG LISTING
IPB544
 PAGE 1 OF 1
M
 DRAWING NUMBER
6
 ISSUE
 REVISIONS
A PR 8790
D J S
 23 MAY 80
B CO
 53488
 WJM
 15 JUL 83
C 201143
 CSL
 1 SEP 00
D 201411
 CSL
 2 OCT 00
E 0018502
 PM
 27 FEB 06
 CHECK
 15 OCT 70
 DRAWN
 14 OCT 70
 RASTER
 3-50378-1A
 DRAWN
 MB S



- NOTES**
- 1 - UNIT INCLUDES "11SM2446" TYPE BASIC SWITCH
 - 2 - TERMINALS ARE PLATED FOR SOLDERING
 - 3 - RECOMMENDED FOR MANUAL OPERATION ONLY
 - 4 - FOR USE IN TEMPERATURE RANGE -65° F TO +400° F
 - 5 MOUNTING HARDWARE FURNISHED UNASSEMBLED

THIS DRAWING COVERS A PROPRIETARY ITEM AND IS THE PROPERTY OF MICRO SWITCH, A DIVISION OF HONEYWELL. THIS DRAWING IS NOT TO BE COPIED OR USED WITHOUT THE APPROVAL OF MICRO SWITCH.

CHARACTERISTICS	ELECTRICAL DATA	SCALE FULL
OPERATING FORCE ----- 2 LBS MAX	CONTACT ARRANGEMENT S P D T	DO NOT SCALE PRINT
OVERTRAVEL FORCE ----- 2.5 LBS MAX	30 VOLTS DC RATING INDUCTIVE -----SEA LEVEL--- 3 AMP RESISTIVE ----- SEA LEVEL--- 5 AMP	UNLESS OTHERWISE NOTED
RELEASE FORCE ----- 2 OZ MIN		DIMENSIONS ARE IN INCHES
OVERTRAVEL ----- .100 MIN		TOLERANCES ARE:
DIFFERENTIAL TRAVEL ----- .031 MAX		ONE PLACE (.0) ±.030 TWO PLACE (.00) ±.015 THREE PLACE (.000) ±.005 ANGLES ±
		WEIGHT

X-ON Electronics

Largest Supplier of Electrical and Electronic Components

Click to view similar products for [Pushbutton Switches](#) category:

Click to view products by [Honeywell](#) manufacturer:

Other Similar products are found below :

[8940K2012](#) [LW1L-M1C10V-A](#) [LW1L-M1C70-A](#) [LW2L-A1C20M-GD](#) [LW2L-M1C20M-A](#) [60324L](#) [M22-D-R-GB0/K11](#) [M7E-HRN2](#)
[67021K512](#) [67081K512X](#) [701PB580](#) [7190K101](#) [7199K101](#) [810K12910](#) [810KSV30B](#) [MML21EA2ADK](#) [MML21KA3ABK](#)
[MML23KA3AC05K-001](#) [MML23KW3AA01W](#) [8418K2](#) [8442K3](#) [8450K1](#) [860K11911T01A](#) [861901](#) [861K11911T01A07](#)
[861K13810T00A14](#) [861K13911](#) [8646AB6X718UL](#) [8646ABUL](#) [9001KXRK](#) [907AYY100](#) [PMHD155A1](#) [95-313.000](#)
[9533CD4+U574+U4922](#) [95-414.000](#) [99-450.837](#) [99-453.837](#) [PV3H2B0NN-341](#) [1203MRA](#) [A22NZBGANGA](#) [A22NZBMMNGA](#)
[A22NZBNANGA](#) [A22NZMPATRA](#) [A2PMA1X03EC56](#) [A3A-5123-02](#) [A3A-7140](#) [A3A-7310](#) [A3A-7340](#) [A3U-TMW-A2C-5M](#) [A595](#)