

MICRO SWITCH

FREEPORT ILLINOIS, U.S.A
A DIVISION OF HONEYWELL
FED. MFG. CODE 91929

ASSEMBLY- PUSHBUTTON SWITCH

CATALOG LISTING

IPB575-T

FAA-PMA

IPB575-T
PAGE 1 OF 1

M

DRAWING
NUMBER

X

X

ISSUE
8

REPLACES

RELEASE NO. PR-9121-T

CHECK

REVISIONS

A	PR-9121	WJM	24 JUL 80
B	C O	J M J	13 OCT 80
C	CO48860	C E B	22 DEC 80
D	CO49278		
J	J A P		
E	CO77562		
K	J A L		
F	CO-93166	G J W	20 JUL 98
G	CO93880	G J W	6 JAN 99

CHECK

CHECK

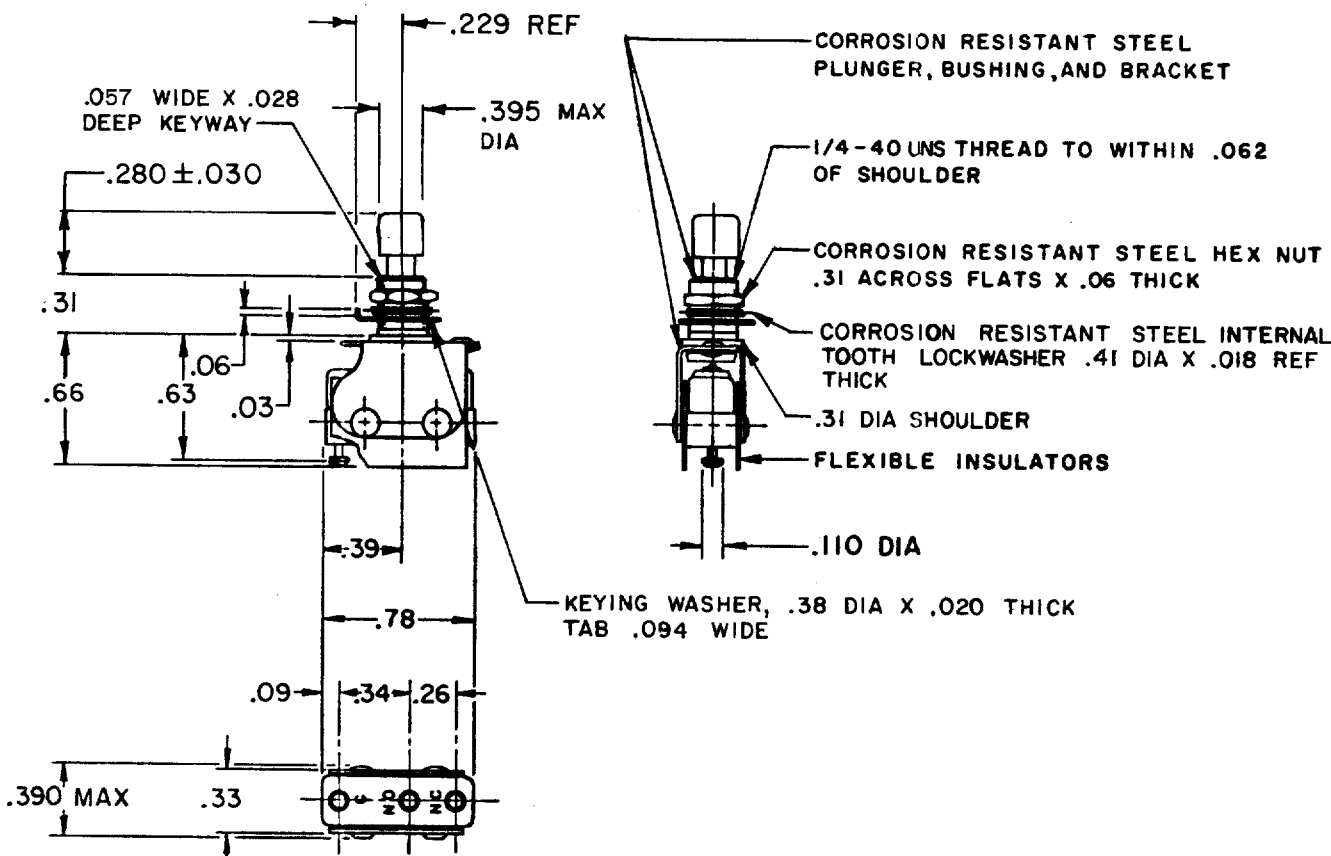
CHECK

CHECK

CHECK

CHECK

CHECK



- NOTE -
- 1 - UNIT INCLUDES CAT. LIST. "23SM" BASIC SWITCH
 - 2 - TERMINALS ARE PLATED FOR SOLDERING
 - 3 - RECOMMENDED FOR MANUAL OPERATION ONLY
 - 4 - MOUNTING HARDWARE AND WHITE PLASTIC BUTTON FURNISHED UNASSEMBLED

THIS DRAWING COVERS A PROPRIETARY ITEM AND IS THE PROPERTY OF MICRO SWITCH, A DIVISION OF HONEYWELL. THIS DRAWING IS NOT TO BE COPIED OR USED WITHOUT THE APPROVAL OF MICRO SWITCH.

THIRD ANGLE PROJECTION

CHARACTERISTICS
OPERATING FORCE --- 1 LB APPROX
TOTAL TRAVEL ----- .030 APPROX

ELECTRICAL DATA
CONTACT ARRANGEMENT S P D T
30 VOLT DC RATING
INDUCTIVE ----- SEA LEVEL ----- .5 AMP
RESISTIVE ----- SEA LEVEL ----- 1.0 AMP
MAXIMUM INRUSH ----- .2 AMP

SCALE FULL

DO NOT SCALE PRINT			
TOLERANCES			
APPLY TO DESIGN UNITS. CONVERSIONS ARE ONLY FOR REFERENCE. UNLESS NOTED, TOLERANCES ARE ±			
DIM.	TOL.	DIM.	TOL.
mm	mm/in	in	mm/in
NO PLACES	X	1/.04	
ONE PLACE	X,X	0.4/.016	X,X 0.8/.03
TWO PLACES	X,XX	0.19/.008	X,XX 0.38/.015
THREE PLACES	X,XXX		X,XXX 0.13/.005
ANGLES			
DESIGN UNITS	<input type="checkbox"/> METRIC	<input checked="" type="checkbox"/> US CUSTOMARY	
WEIGHT			

FORMTEK
FO-52848-A
DRAWN

WJM 24 JUL 80

X-ON Electronics

Largest Supplier of Electrical and Electronic Components

Click to view similar products for [Pushbutton Switches](#) category:

Click to view products by [Honeywell](#) manufacturer:

Other Similar products are found below :

[8940K2012](#) [LW1L-M1C10V-A](#) [LW1L-M1C70-A](#) [LW2L-A1C20M-GD](#) [LW2L-M1C20M-A](#) [60324L](#) [M22-D-R-GB0/K11](#) [M7E-HRN2](#)
[67021K512](#) [67081K512X](#) [701PB580](#) [7190K101](#) [7199K101](#) [810K12910](#) [810KSV30B](#) [MML21EA2ADK](#) [MML21KA3ABK](#)
[MML23KA3AC05K-001](#) [MML23KW3AA01W](#) [8418K2](#) [8442K3](#) [8450K1](#) [860K11911T01A](#) [861901](#) [861K11911T01A07](#)
[861K13810T00A14](#) [861K13911](#) [8646AB6X718UL](#) [8646ABUL](#) [9001KXRK](#) [907AYY100](#) [PMHD155A1](#) [95-313.000](#)
[9533CD4+U574+U4922](#) [95-414.000](#) [99-450.837](#) [99-453.837](#) [PV3H2B0NN-341](#) [1203MRA](#) [A22NZBGANGA](#) [A22NZBMMNGA](#)
[A22NZBNANGA](#) [A22NZMPATRA](#) [A2PMA1X03EC56](#) [A3A-5123-02](#) [A3A-7140](#) [A3A-7310](#) [A3A-7340](#) [A3U-TMW-A2C-5M](#) [A595](#)