

MICRO SWITCH
a Honeywell Division

FED MFG CODE 91929

ASSEMBLY -
PUSHBUTTON SWITCH

CATALOG LISTING
1PB591

REPLACES X92458-PB

CATALOG LISTING
1PB591
PAGE 1 OF 1

M

DRAWING
NUMBER

3

ISSUE

RELEASE NO. PR-18773-T

CHECK

REVISIONS

A	201261	CSL	7 SEP 00
B	0018501	TSG	20 FEB 06

RJ

CHECK

27 NOV '90

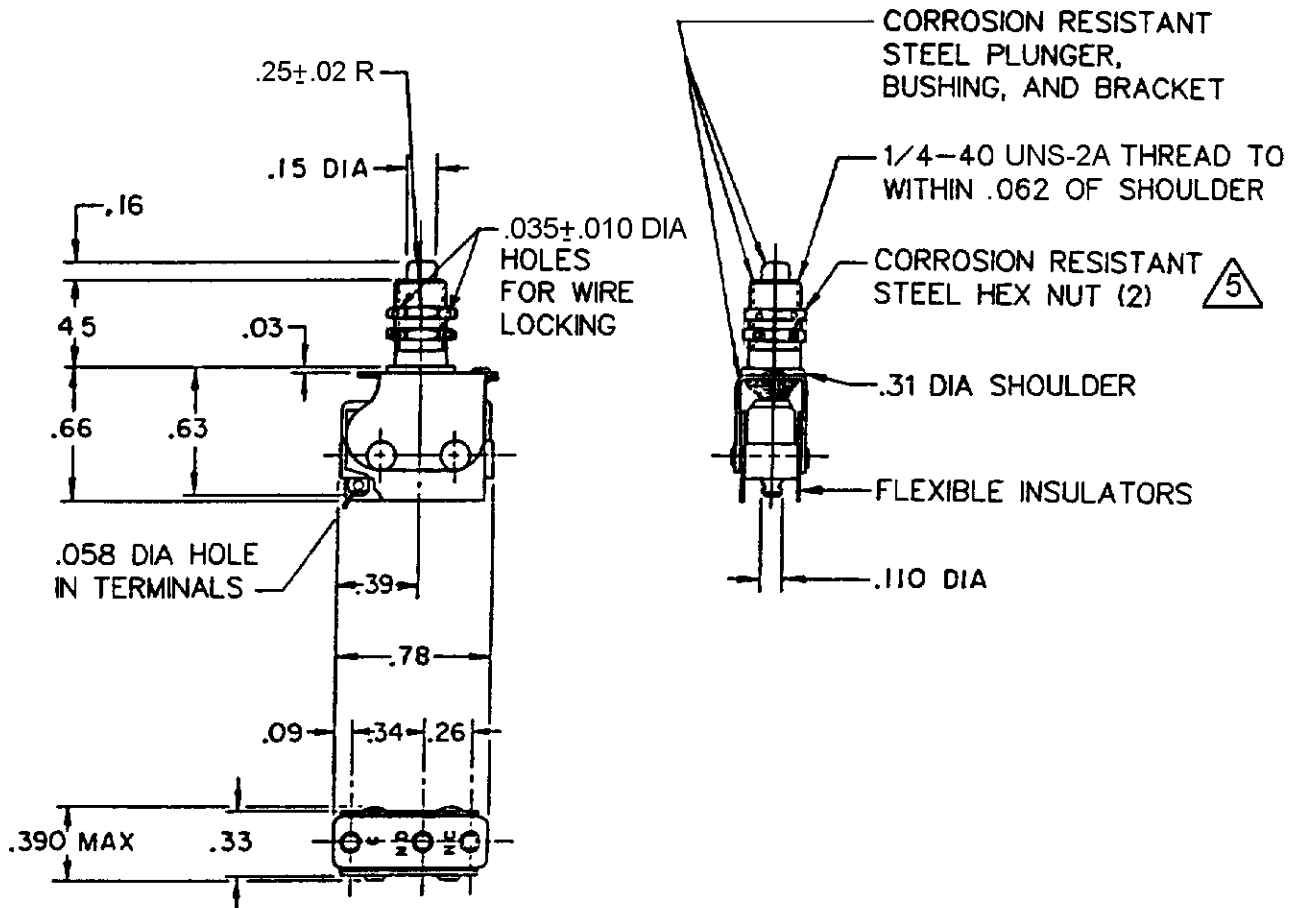
DCS

CHECK

26 NOV 90

DRAWN

RASTER



- NOTES
- 1 - UNIT INCLUDES "11SM" BASIC SWITCH
 - 2 - TERMINALS ARE PLATED FOR SOLDERING
 - 3 - RECOMMENDED FOR MANUAL OPERATION ONLY
 - 4 - FOR USE IN TEMPERATURE RANGE -65°F TO +400°F
 - (5) MOUNTING HARDWARE FURNISHED UNASSEMBLED

THIS DRAWING COVERS A PROPRIETARY ITEM AND IS THE PROPERTY OF MICRO SWITCH, A DIVISION OF HONEYWELL THIS DRAWING IS NOT TO BE COPIED OR USED WITHOUT THE APPROVAL OF MICRO SWITCH.



CHARACTERISTICS	
OPERATING FORCE - - - - -	2 LBS MAX
OVERTRAVEL FORCE - - - - -	2.5 LBS MAX
RELEASE FORCE - - - - -	-2 OZ MIN
DIFFERENTIAL TRAVEL - - - - -	.031 MAX
OVERTRAVEL - - - - -	.100 MIN

ELECTRICAL DATA	
CONTACT ARRANGEMENT S P D T	
250 VAC - - - - -	5 AMP
30 VOLTS DC RATING	
INDUCTIVE - - - - - SEA LEVEL - - -	3 AMP
	50,000 FT - 25 AMP
RESISTIVE - - - - - SEA LEVEL - - -	5 AMP
	50,000 FT - 5 AMP
MAXIMUM INRUSH - - - - -	24 AMP

SCALE FULL	DO NOT SCALE PRINT
UNLESS OTHERWISE SPECIFIED TOLERANCES ARE	
ONE PLACE (0)	±.030
TWO PLACE (.00)	±.015
THREE PLACE (000)	±.005
ANGLES	±
WEIGHT	

X-ON Electronics

Largest Supplier of Electrical and Electronic Components

Click to view similar products for [Pushbutton Switches](#) category:

Click to view products by [Honeywell](#) manufacturer:

Other Similar products are found below :

[8940K2012](#) [LW1L-M1C10V-A](#) [LW1L-M1C70-A](#) [LW2L-A1C20M-GD](#) [LW2L-M1C20M-A](#) [60324L](#) [M22-D-R-GB0/K11](#) [M7E-HRN2](#)
[67021K512](#) [67081K512X](#) [701PB580](#) [7190K101](#) [7199K101](#) [810K12910](#) [810KSV30B](#) [MML21EA2ADK](#) [MML21KA3ABK](#)
[MML23KA3AC05K-001](#) [MML23KW3AA01W](#) [8418K2](#) [8442K3](#) [8450K1](#) [860K11911T01A](#) [861901](#) [861K11911T01A07](#)
[861K13810T00A14](#) [861K13911](#) [8646AB6X718UL](#) [8646ABUL](#) [9001KXRK](#) [907AYY100](#) [PMHD155A1](#) [95-313.000](#)
[9533CD4+U574+U4922](#) [95-414.000](#) [99-450.837](#) [99-453.837](#) [PV3H2B0NN-341](#) [1203MRA](#) [A22NZBGANGA](#) [A22NZBMMNGA](#)
[A22NZBNANGA](#) [A22NZMPATRA](#) [A2PMA1X03EC56](#) [A3A-5123-02](#) [A3A-7140](#) [A3A-7310](#) [A3A-7340](#) [A3U-TMW-A2C-5M](#) [A595](#)