

MICRO SWITCH

A DIVISION OF MINNEAPOLIS-HONEYWELL REGULATOR COMPANY
FARGO, MINN. 56501

FED. MFR. CODE 91929

ASSEMBLY- PUSHBUTTON SWITCH



CATALOG LISTING
IPB5-T

(M) IPB5-T
ISSUE 2

IPB5-T

M

DRAWING
NUMBER

3

ISSUE

6

REPLACES

RELEASE NO.

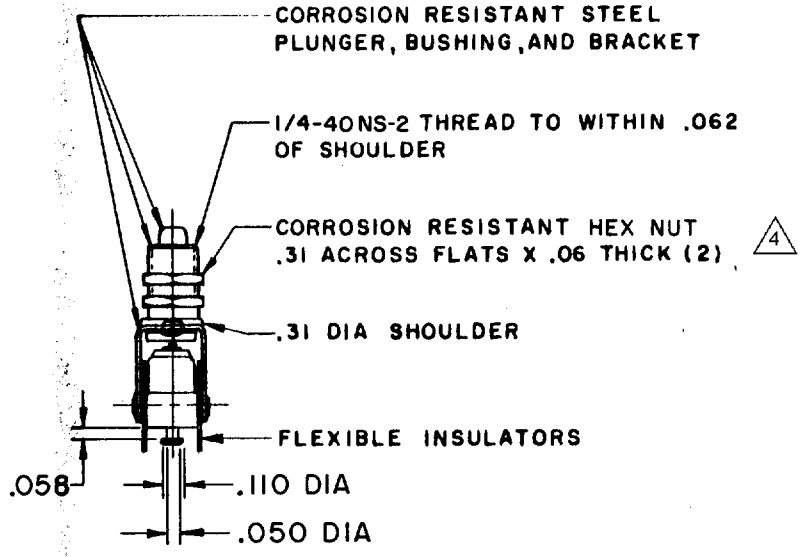
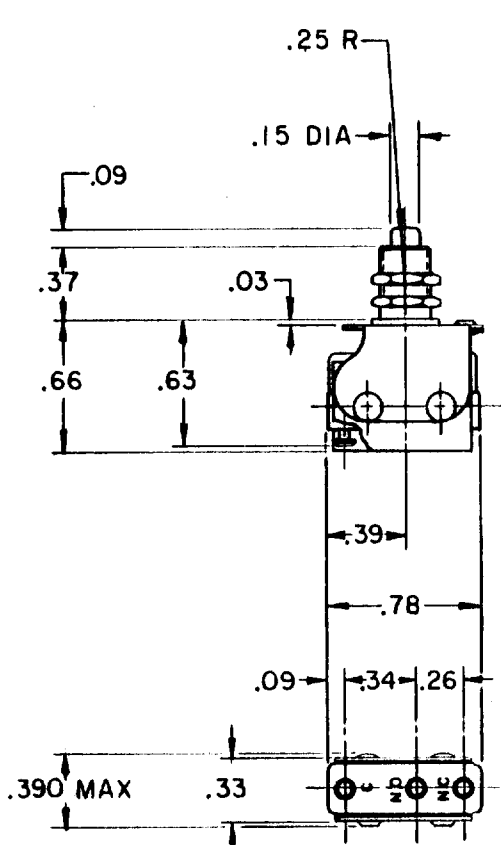
CHECK

CHECK

DAW 22 JUL 60

JUL 60 CHECK

FO-50378
DRAWN
LMH 20 JUL 60



NOTE -

- ① 1 - UNIT INCLUDES CAT. LIST. "ISM" TYPE BASIC SWITCH
- ② 2 - TERMINALS ARE PLATED FOR SOLDERING
- ③ 3 - RECOMMENDED FOR MANUAL OPERATION ONLY
- ④ MOUNTING HARDWARE FURNISHED UNASSEMBLED

THIS DRAWING COVERS A PROPRIETARY ITEM AND IS THE PROPERTY OF MICRO SWITCH, A DIVISION OF MINNEAPOLIS-HONEYWELL REGULATOR CO. THIS DRAWING IS NOT TO BE COPIED OR USED WITHOUT THE APPROVAL OF MICRO SWITCH.

CHARACTERISTICS	ELECTRICAL DATA	SCALE FULL
OPERATING FORCE----- LB APPROX	CONTACT ARRANGEMENT S P D T	DO NOT SCALE PRINT
	250 VAC ----- 5 AMP 30 VOLTS DC RATING INDUCTIVE ----- SEA LEVEL ----- 3 AMP 50,000 FT. ----- 2.5 AMP RESISTIVE ----- SEA LEVEL ----- 5 AMP 50,000 FT. ----- 5 AMP MAXIMUM INRUSH ----- 24 AMP	UNLESS OTHERWISE SPECIFIED DIMENSIONS ARE IN INCHES TOLERANCES ARE: ONE PLACE (.0) ±.030 TWO PLACE (.00) ±.015 THREE PLACE (.000) ±.005 ANGLES ±
		WEIGHT

X-ON Electronics

Largest Supplier of Electrical and Electronic Components

Click to view similar products for [Pushbutton Switches](#) category:

Click to view products by [Honeywell](#) manufacturer:

Other Similar products are found below :

[8940K2012](#) [LW1L-M1C10V-A](#) [LW1L-M1C70-A](#) [LW2L-A1C20M-GD](#) [LW2L-M1C20M-A](#) [60324L](#) [M22-D-R-GB0/K11](#) [M7E-HRN2](#)
[67021K512](#) [67081K512X](#) [701PB580](#) [7190K101](#) [7199K101](#) [810K12910](#) [810KSV30B](#) [MML21EA2ADK](#) [MML21KA3ABK](#)
[MML23KA3AC05K-001](#) [MML23KW3AA01W](#) [8418K2](#) [8442K3](#) [8450K1](#) [860K11911T01A](#) [861901](#) [861K11911T01A07](#)
[861K13810T00A14](#) [861K13911](#) [8646AB6X718UL](#) [8646ABUL](#) [9001KXRK](#) [907AYY100](#) [PMHD155A1](#) [95-313.000](#)
[9533CD4+U574+U4922](#) [95-414.000](#) [99-450.837](#) [99-453.837](#) [PV3H2B0NN-341](#) [1203MRA](#) [A22NZBGANGA](#) [A22NZBMMNGA](#)
[A22NZBNANGA](#) [A22NZMPATRA](#) [A2PMA1X03EC56](#) [A3A-5123-02](#) [A3A-7140](#) [A3A-7310](#) [A3A-7340](#) [A3U-TMW-A2C-5M](#) [A595](#)