

1PD1

M

DRAWING NUMBER

ISSUE

9

REVISIONS

A	CO21632	OMW	25 JUL 66
B	CO26023-A	D L F	25 JUL 69
C	CO45869B	G J W	7 JUL 79
D	COB2531B	J A K	19 FEB 97

REPLACES

RELEASE NO.

CHECK

CHECK

26 JULY 66

66

66

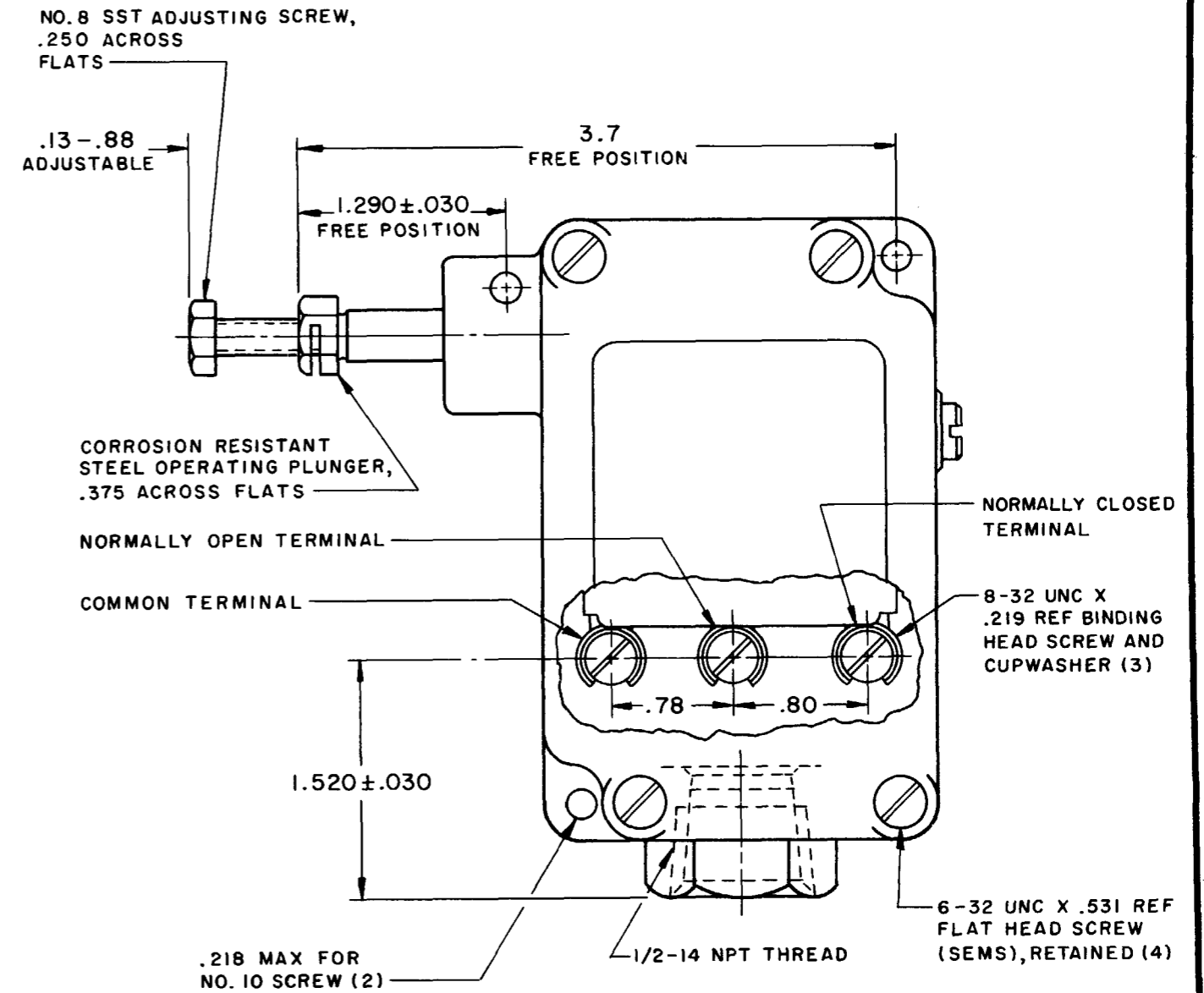
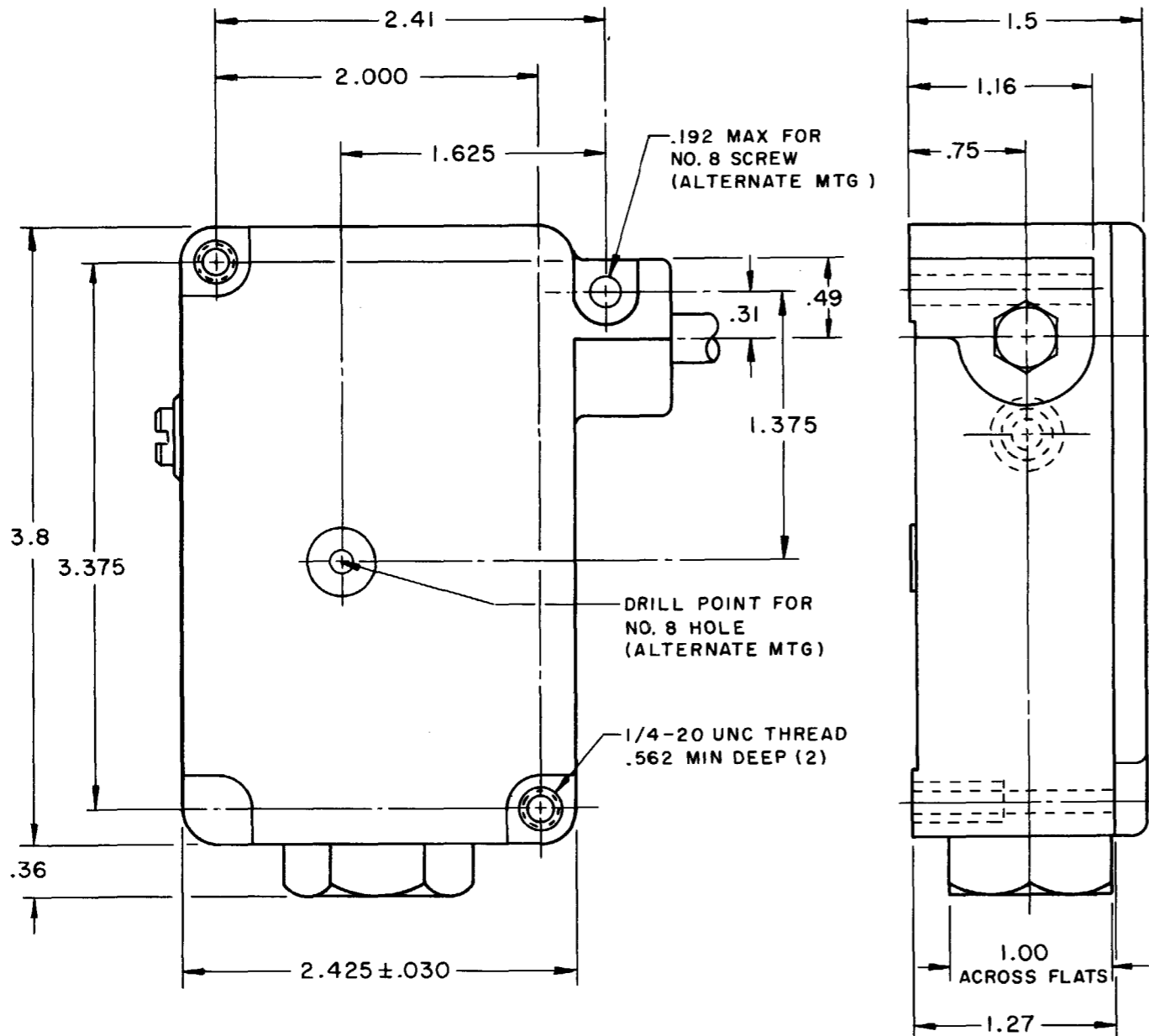
66

66

66

66

66



THIS DRAWING COVERS A PROPRIETARY ITEM AND IS THE PROPERTY OF MICRO SWITCH, A DIVISION OF MINNEAPOLIS-HONEYWELL REGULATOR CO. THIS DRAWING IS NOT TO BE COPIED OR USED WITHOUT THE APPROVAL OF MICRO SWITCH.

CHARACTERISTICS	ELECTRICAL DATA	SCALE FULL
OPERATING FORCE ----- 3 1/2 LB MAX	CONTACT ARRANGEMENT S P D T	DO NOT SCALE PRINT
PRETRAVEL ----- .110 MAX		UNLESS OTHERWISE NOTED
PULSE POSITION --- ADJUSTABLE FROM .030 - .450 BEYOND OPERATING POSITION		DIMENSIONS ARE IN INCHES
FORCE AT PULSE POSITION ----- 6 LB MAX	15 A-125, 250 OR 480 VAC	TOLERANCES ARE:
SWITCH-BASIC REPLACEMENT - BZ-2RD776-P4	1/2 A-125 VDC; 1/4 A-250 VDC	ONE PLACE (.0) ±.030
	1/8 HP-125 VAC; 1/4 HP-250 VAC	TWO PLACE (.00) ±.015
		THREE PLACE (.000) ±.005
		ANGLES ±.005
		WEIGHT

NOTES

- 1 - ALUMINUM HOUSING AND COVER FINISHED IN GRAY PAINT
- 2 - IT IS ESSENTIAL TO PREVENT ENTRANCE OF HARMFUL AGENTS THRU THE CONDUIT OPENING TO OBTAIN THE FULL BENEFIT OF THE SEALED CONSTRUCTION PROVIDED IN THIS UNIT

FORMTEK

DRAWN

OMW 25 JUL 66

CHECK

LSO 26 JULY 66

CHECK

66

X-ON Electronics

Largest Supplier of Electrical and Electronic Components

Click to view similar products for [Limit Switches](#) category:

Click to view products by [Honeywell](#) manufacturer:

Other Similar products are found below :

[5ML1-E1](#) [5ML31](#) [LZG1](#) [LZL1-6C](#) [622EN114-R](#) [622EN18-6](#) [622EN224-6B](#) [622EN230](#) [622EN237-R](#) [622EN69-3](#) [622EN85-RB](#) [MA-10019](#)
[6PA109](#) [7LS51](#) [83547001](#) [83725002](#) [83830001](#) [83840701](#) [83841001](#) [83881140](#) [8AS42](#) [8LS10](#) [8LS125-4PG](#) [8LS152-4PGN20](#) [914CE16-](#)
[3A](#) [914CE3-3L1](#) [915PA10](#) [91MCE16-P2O](#) [924CE16-Y3](#) [924CE1-S6](#) [924CE1-T25A](#) [924CE1-T3](#) [924CE1-T9A](#) [924CE2-T9](#) [924CE31-Y20-](#)
[X5](#) [924CE31-Y3L1](#) [GL-10054](#) [GLAB26J2B](#) [GLDB03C-6](#) [GLDC05C](#) [GLZ324](#) [PS21R-NT11N7-YK0](#) [H3141CAKAA](#) [RDI-G-L5B](#) [DD-](#)
[10000](#) [DT-2R3-A7](#) [14CE16-3N28](#) [14CE18-N15](#) [151ML3-E1](#) [E3102BAAAA](#)