

MICRO SWITCH

A DIVISION OF MINNEAPOLIS-HONEYWELL REGULATOR COMPANY
PREPARED, ILLINOIS

FED. MFR. CODE 91929

SWITCH-BASIC

CATALOG LISTING
1SE1-2

(M) 1SE1-2
ISSUE 4

1SE1-2
PAGE 1 OF 1

M

DRAWING
NUMBER

10

10

ISSUE

X

REPLACES

RELEASE NO.

CHECK

REVISIONS

A	CO16449
D A W 28 DEC 61	
B	CO-34213
J A L 24 SEPT 74	
C	CO 51463F
S L B 9 NOV 82	
D	CO57041A
C J H 2 MAR 85	
E	CO 174176
T S M 15 JAN 93	
F	CO94274
D L M MAR 99	

CHECK

27 FEB 82

D A W

CHECK

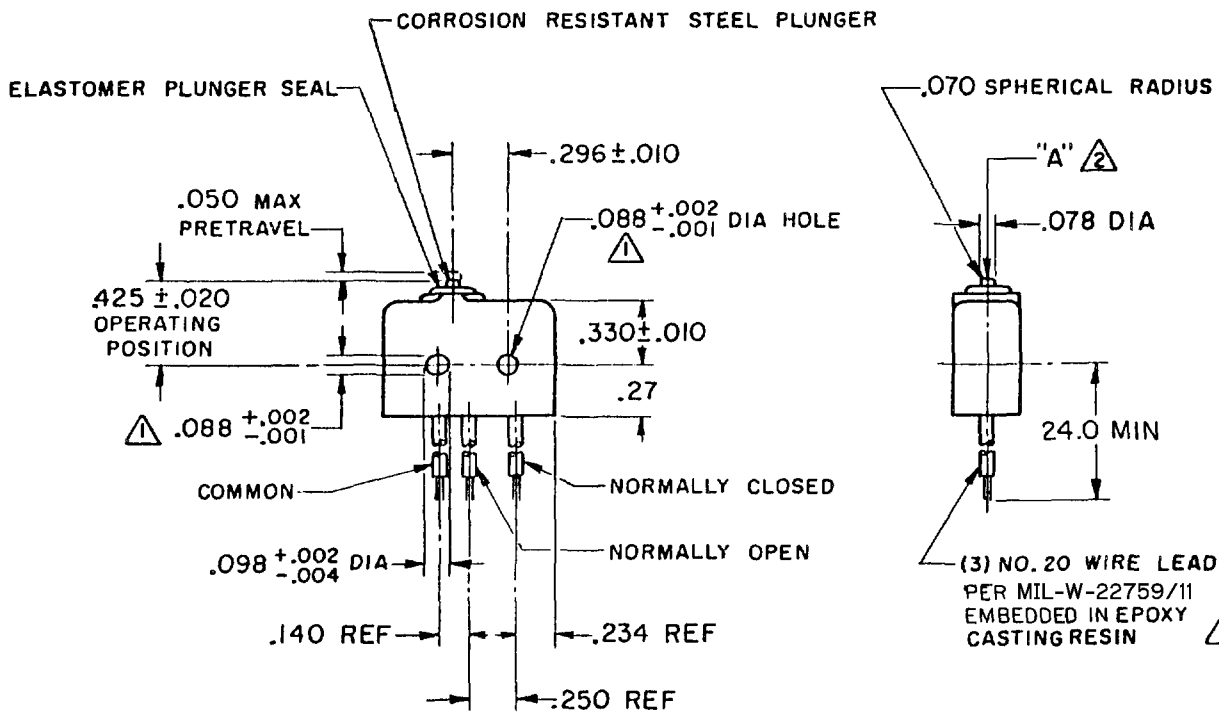
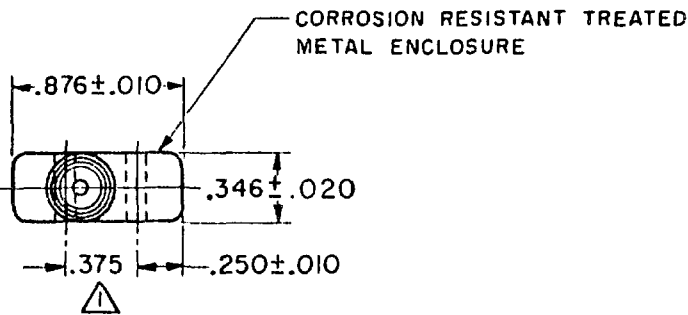
28 DEC 61

D A W

DRAWN

FO-50378

D A W



NOTE -

- ① - MOUNTING HOLES WILL ACCEPT .087 MAX DIA PINS OR SCREWS ON .375 ± .002 CENTERS
- ② - ACTUATION IN LINE WITH ARROW "A" IS RECOMMENDED
- ③ - WEIGHT OF SWITCH ONLY IS .26 OZ MAX. WEIGHT OF SWITCH WITH WIRE LEADS IS 1.02 OZ MAX
- ④ - WIRE LEADS MARKED WITH CIRCUIT IDENTIFICATION AND WIRE GAGE (COMMON - C-20, NORMALLY OPEN - NO-20, ETC.) PER MIL-W-5088

THIS DRAWING COVERS A PROPRIETARY ITEM AND IS THE PROPERTY OF MICRO SWITCH, A DIVISION OF MINNEAPOLIS-HONEYWELL REGULATOR CO. THIS DRAWING IS NOT TO BE COPIED OR USED WITHOUT THE APPROVAL OF MICRO SWITCH.

CHARACTERISTICS	ELECTRICAL DATA	SCALE FULL
OPERATING FORCE ----- 5-17 OZ	CONTACT ARRANGEMENT S P D T	DO NOT SCALE PRINT
RELEASE FORCE ----- 4 OZ MIN	250 VAC ----- 5 AMP	UNLESS OTHERWISE SPECIFIED DIMENSIONS ARE IN INCHES TOLERANCES ARE:
RELEASE TRAVEL ----- .004 MIN	30 VOLTS DC RATING	
DIFFERENTIAL TRAVEL ----- .004 MAX	INDUCTIVE ----- SEA LEVEL ----- 3 AMP	ONE PLACE (.0) ±.030
OVERTRAVEL ----- .003 MIN	50,000 FT ----- 2.5 AMP	TWO PLACE (.00) ±.015
	RESISTIVE ----- SEA LEVEL ----- 5 AMP	THREE PLACE (.000) ±.008
	50,000 FT ----- 5 AMP	ANGLES ±
	MAXIMUM INRUSH ----- 24 AMP	WEIGHT ③

FORMTEK

X-ON Electronics

Largest Supplier of Electrical and Electronic Components

Click to view similar products for [Basic / Snap Action Switches](#) category:

Click to view products by [Honeywell](#) manufacturer:

Other Similar products are found below :

[5SM901-S12](#) [5SM9-S12N195](#) [01.098.1358.1](#) [602EN532](#) [602EN535-RB](#) [602HE5-RB1](#) [604HE162](#) [604HE223-6B](#) [624HE17-RB](#) [6HM82](#)
[6HM89](#) [6SE1](#) [6SX1-H58](#) [70500216](#) [70599106](#) [MBD5B1](#) [MBH2731](#) [73-316-0012](#) [EXD-AR20](#) [79211923](#) [79218589](#) [7AS12](#)
[MIL30126AB6BBMD4A12XAU](#) [ML-1155](#) [ML-1376](#) [831010C3.0](#) [831090C2.EL](#) [83131904](#) [84212012](#) [8AS239](#) [8HM73-3](#) [8SX26-H33](#)
[914CE1-6G](#) [PL-100](#) [11SM1077-H4](#) [11SM1077-H58](#) [11SM1-TN107](#) [11SM405](#) [11SM8423-H2](#) [11SX37-T](#) [11SX48-H58](#) [11SM2442-T](#)
[11SM76-T](#) [11SM77-H58](#) [11SM77-T](#) [11SM863-T](#) [11SM866](#) [A7CN-1M-1-LEFT](#) [A831700C7.0](#) [121EN187-R](#)