

MICRO SWITCH

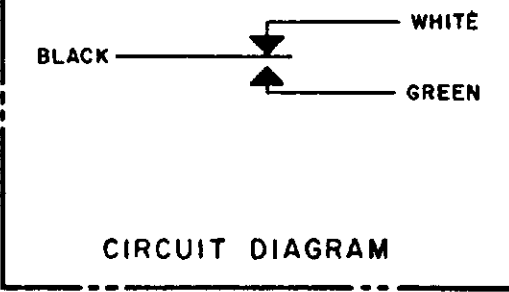
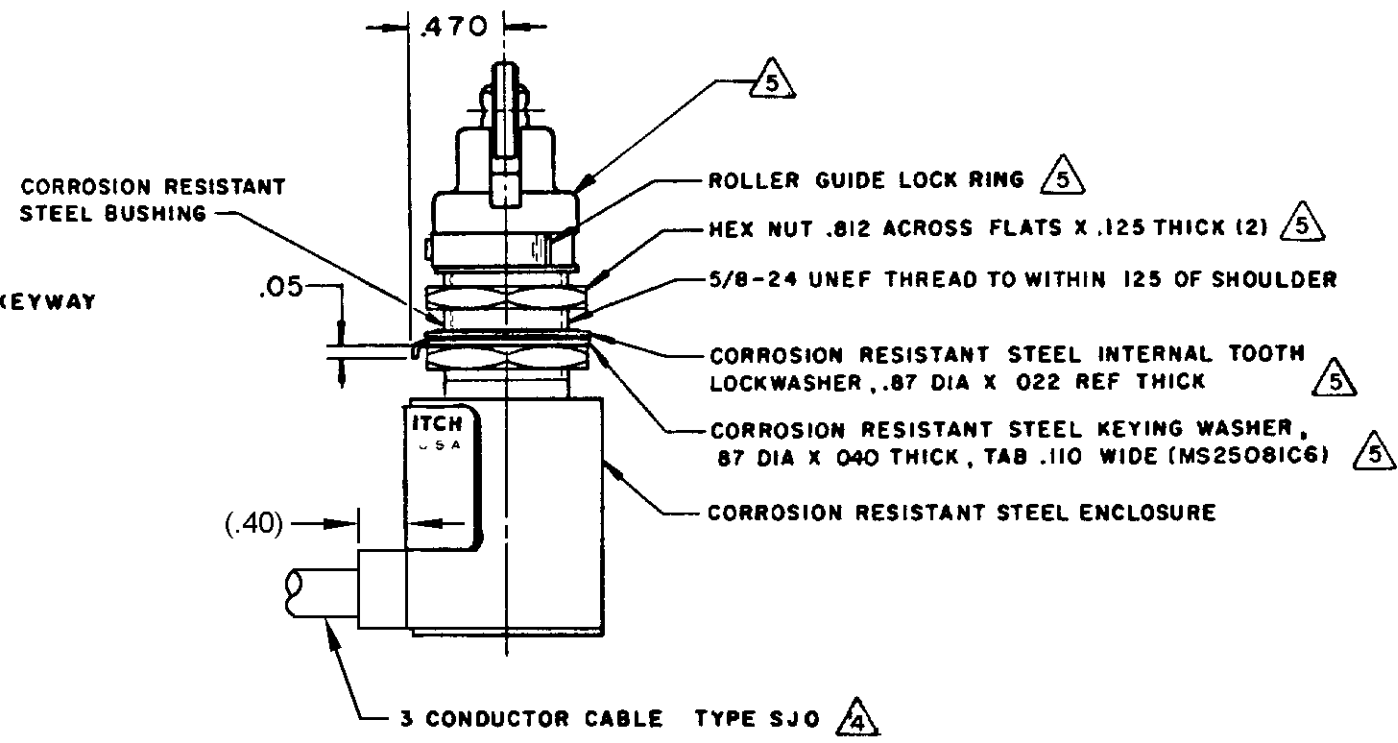
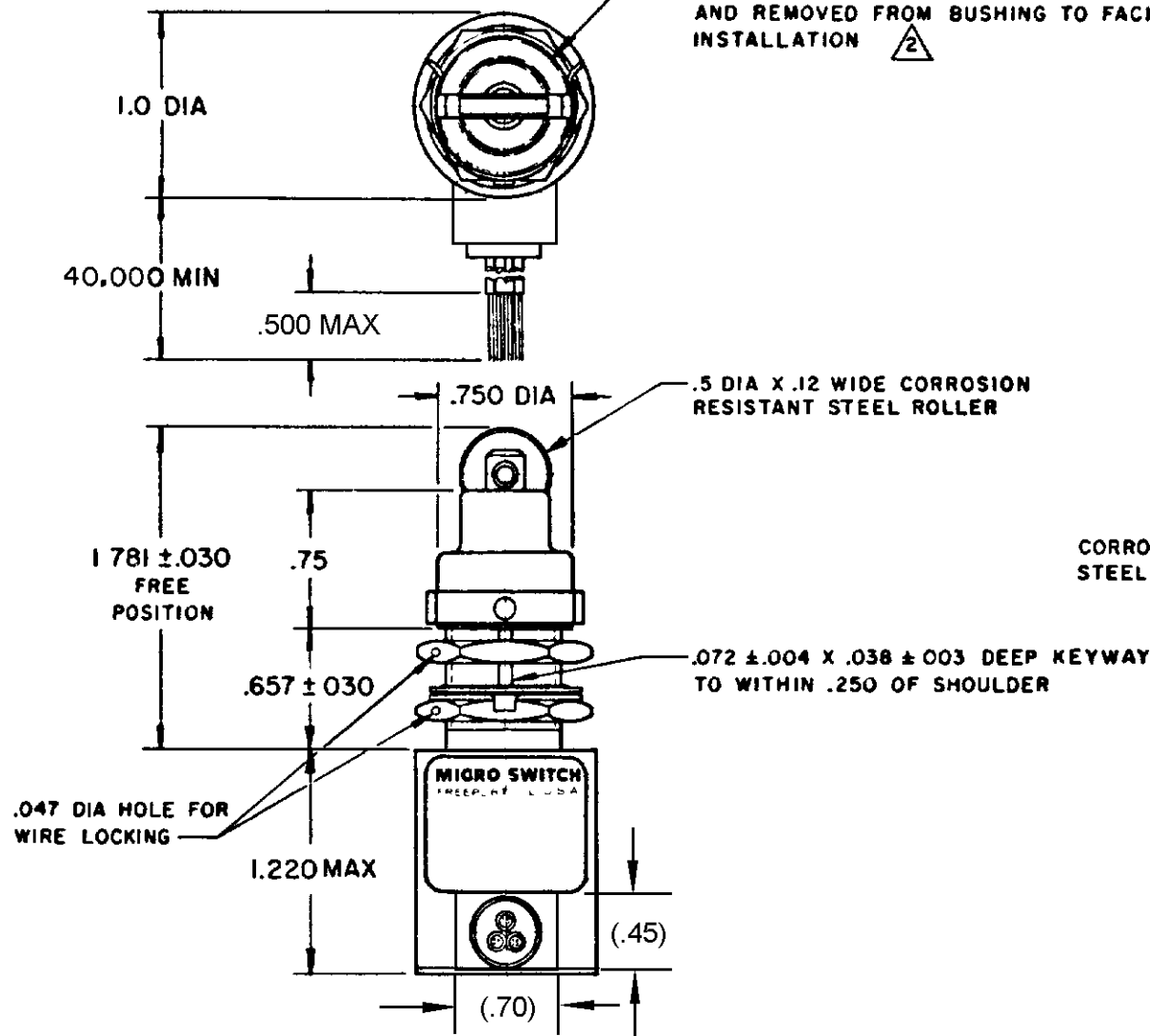
SWITCH-ENCLOSED

CATALOG LISTING
21 CH 28

FED. MFR CODE 91929

L	CO57370
TSK	16 MAY 85
M	CO63289
TSK	15 APR 88
N	CO74101
LJF	3 FEB 95
P	778048
SAD	18 MAY 94
Q	0016449
KSR	28 OCT 05

ROLLER GUIDE MAY BE LOCKED IN INCREMENTS OF 45° AZIMUTH. IT MAY ALSO BE UNSCREWED AND REMOVED FROM BUSHING TO FACILITATE INSTALLATION $\triangle 2$



M 21 CH 28

DRAWING NUMBER
16

ISSUE

REVISIONS	MADE	DATE
A	REPL	4 DEC 64
B	CO	20147
C	SR	12267
D	CO	21874
E	CO	22953
F	CO	31645-B
G	CO	34722
H	CO	35858
J	CO	44351
K	CO	47573
L	CO	50378-003

RELEASE NO SR12267
CHECK RJ 27OCT05
CHECK FVK 17 NOV 64
CHECK L S D 13 NOV 64

THIS DRAWING COVERS A PROPRIETARY ITEM AND IS THE PROPERTY OF MICRO SWITCH, A DIVISION OF MINNEAPOLIS-HONEYWELL REGULATOR CO. THIS DRAWING IS NOT TO BE COPIED OR USED WITHOUT THE APPROVAL OF MICRO SWITCH.

CHARACTERISTICS		ELECTRICAL DATA		SCALE FULL
OPERATING FORCE	6-12 LB	CONTACT ARRANGEMENT		DO NOT SCALE PRINT
FULL OVERTRAVEL FORCE	30 LB MAX	S P D T		UNLESS OTHERWISE SPECIFIED
RELEASE FORCE	4 LB MIN	28 VDC		DIMENSIONS ARE IN INCHES
PRETRAVEL	.040 MAX	LOAD	SEA LEVEL	TOLERANCES ARE:
DIFFERENTIAL TRAVEL	.020 MAX	RES	50,000 FT.	ONE PLACE (.0)
OVERTRAVEL	.250 MIN	IND		TWO PLACE (.00)
		MOTOR		THREE PLACE (.000)
				ANGLES
				WEIGHT 9.0 OZ MAX

- NOTES
- SWITCH SEALED PER MIL-PRF-8805 SYMBOL 3
 - TO ADJUST ROLLER DIRECTION, REMOVE ROLLER GUIDE LOCK RING, SCREW ROLLER GUIDE DOWN AS FAR AS POSSIBLE, THEN UNSCREW TO DESIRED DIRECTION. SECURE BY REPLACING ROLLER GUIDE LOCK RING
 - CIRCUIT DIAGRAM, CATALOG LISTING AND DATE CODE ARE SHOWN ON NAMEPLATE
 - LEAD WIRES COLOR CODED TO SHOW LEAD IDENTIFICATION
 - HARDWARE MAY BE PACKAGED UNASSEMBLED PER MIL-PRF-8805

X-ON Electronics

Largest Supplier of Electrical and Electronic Components

Click to view similar products for [Basic / Snap Action Switches](#) category:

Click to view products by [Honeywell](#) manufacturer:

Other Similar products are found below :

[5SM901-S12](#) [5SM9-S12N195](#) [01.098.1358.1](#) [602EN532](#) [602EN535-RB](#) [602HE5-RB1](#) [604HE162](#) [604HE223-6B](#) [624HE17-RB](#) [6HM82](#)
[6HM89](#) [6SE1](#) [6SX1-H58](#) [70500216](#) [70599106](#) [MBD5B1](#) [MBH2731](#) [73-316-0012](#) [EXD-AR20](#) [79211923](#) [79218589](#) [7AS12](#)
[MIL30126AB6BBMD4A12XAU](#) [ML-1155](#) [ML-1376](#) [831010C3.0](#) [831090C2.EL](#) [83131904](#) [84212012](#) [8AS239](#) [8HM73-3](#) [8SX26-H33](#)
[914CE1-6G](#) [PL-100](#) [11SM1077-H4](#) [11SM1077-H58](#) [11SM1-TN107](#) [11SM405](#) [11SM8423-H2](#) [11SX37-T](#) [11SX48-H58](#) [11SM2442-T](#)
[11SM76-T](#) [11SM77-H58](#) [11SM77-T](#) [11SM863-T](#) [11SM866](#) [A7CN-1M-1-LEFT](#) [A831700C7.0](#) [121EN187-R](#)