

**MICRO SWITCH**  
a Honeywell Division

FED. MFG. CODE 91929

SWITCH — ENCLOSED

CATALOG LISTING  
**21EN570-R1**

CATALOG LISTING  
**21EN570-R1**

ISSUE **M**  
3

REPLACES  
RELEASE NO. PR-23369

CHECK  
PAGE 1 OF 1

CHECK

CHECK

CHECK

CHECK

CHECK

CHECK

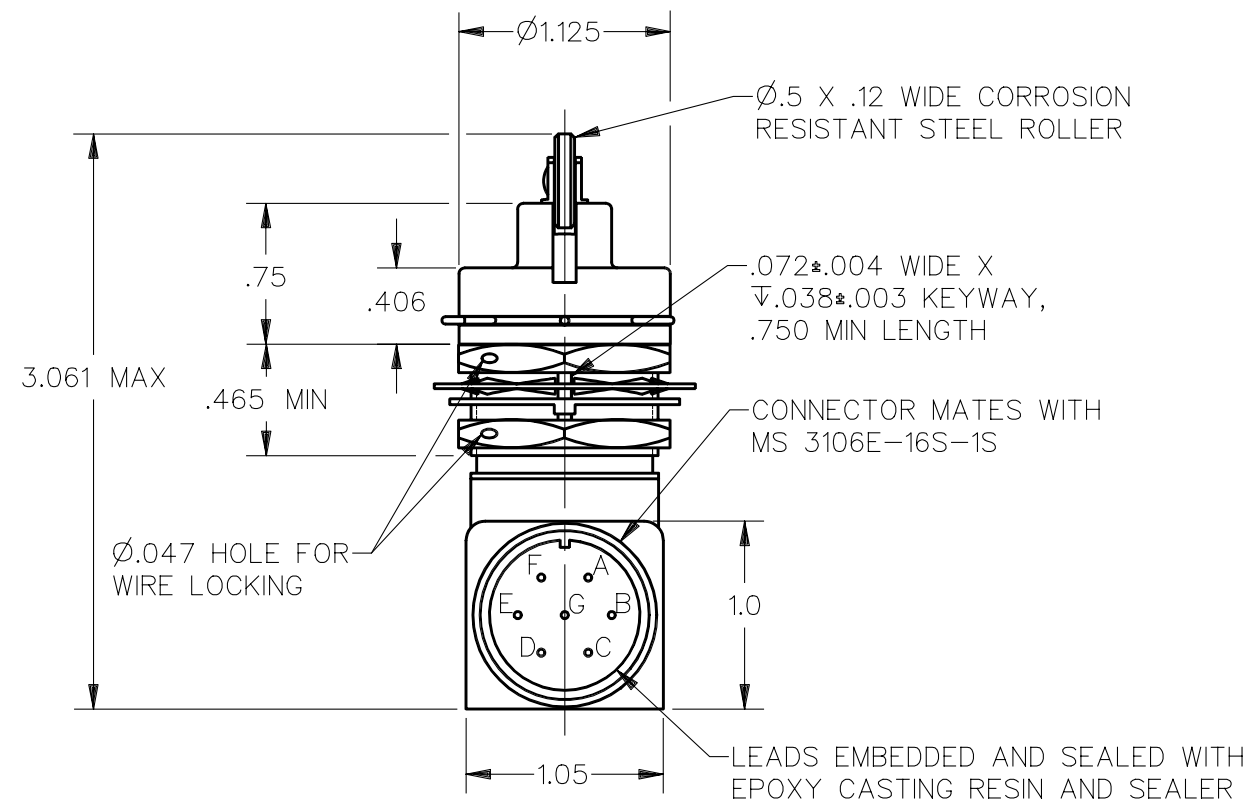
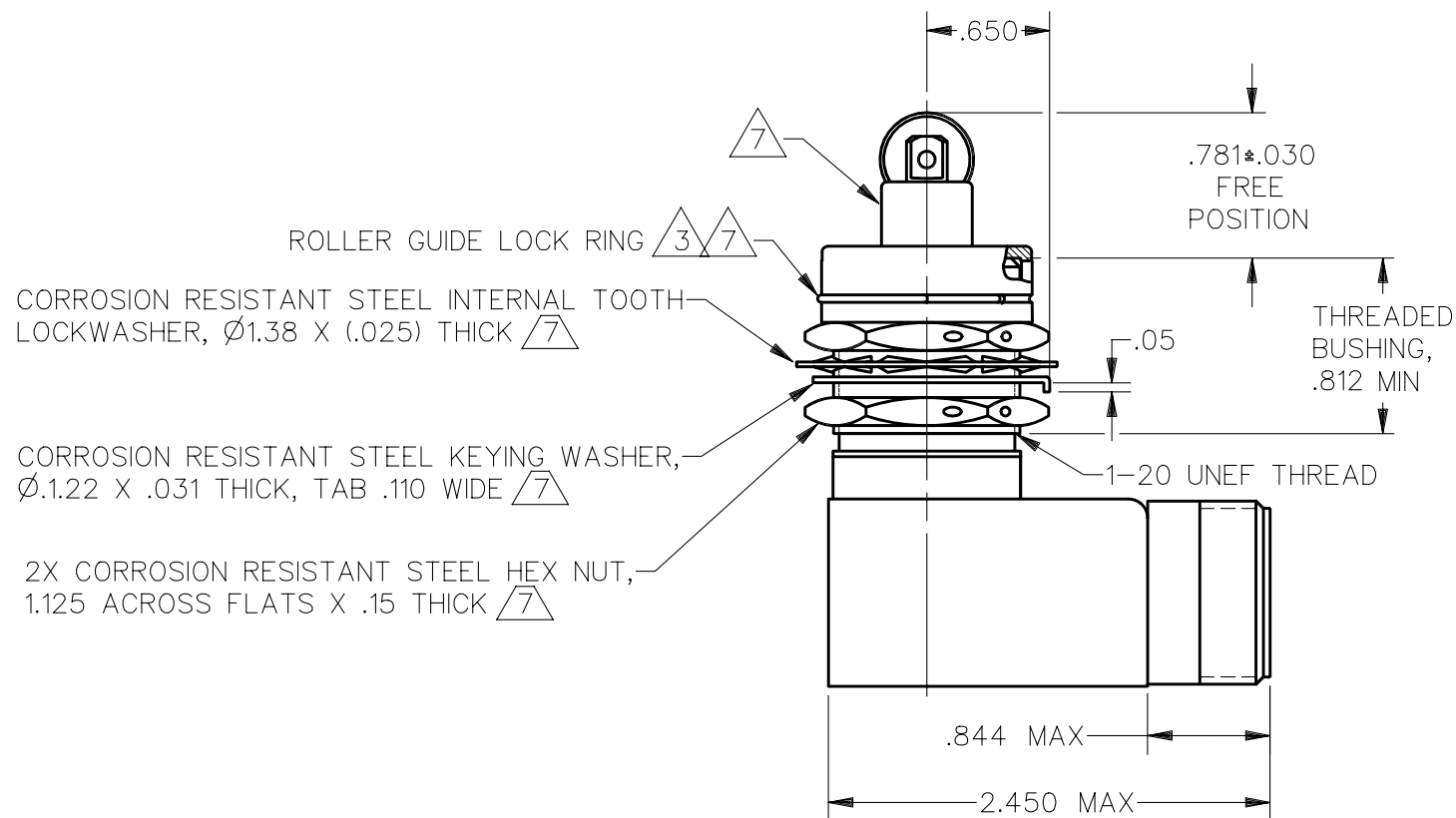
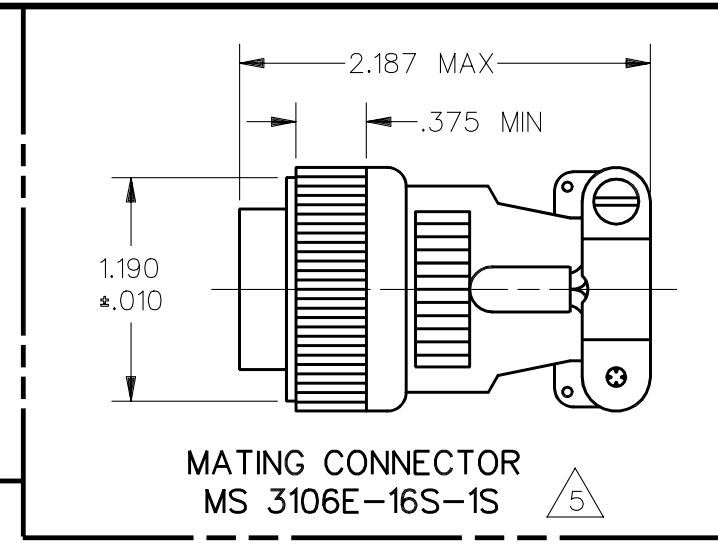
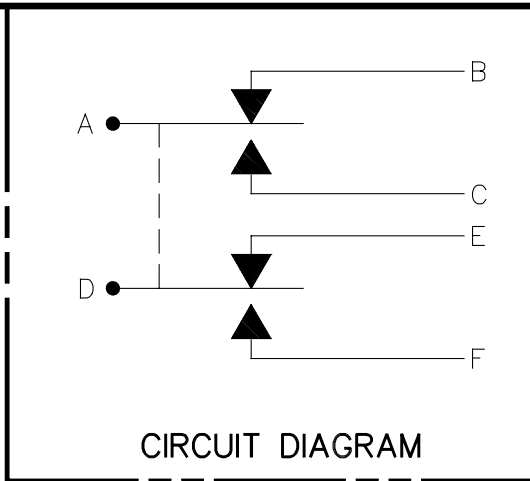
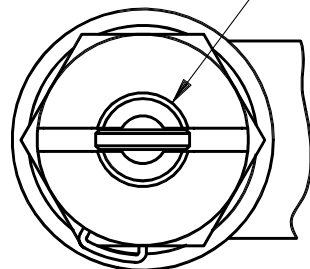
CHECK

CHECK

CHECK

CHECK

ROLLER GUIDE MAY BE LOCKED IN INCREMENTS OF 45° AZIMUTH. ROLLER GUIDE MAY BE UNSCREWED AND REMOVED FROM BUSHING TO FACILITATE INSTALLATION.  $\triangle 3$

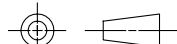


**NOTES**

- 1 - ENCLOSURE FINISHED WITH GREEN EPOXY BASED ENAMEL COLOR NO. 34151 PER FEDERAL STANDARD 595
- 2 - SWITCH SEALED PER MIL-S-8805 SYMBOL 4
- $\triangle 3$  TO ADJUST ROLLER DIRECTION REMOVE ROLLER GUIDE LOCK RING, SCREW ROLLER GUIDE DOWN AS FAR AS POSSIBLE, THEN UNSCREW TO DESIRED DIRECTION. SECURE BY REPLACING ROLLER GUIDE LOCK RING
- 4 - CIRCUIT DIAGRAM AND CATALOG LISTING ARE SHOWN ON NAMEPLATE
- $\triangle 5$  FURNISHED UNASSEMBLED WITH EACH UNIT
- 6 - COINCIDENCE OF OPERATING AND RELEASING POINTS: .010 OF PLUNGER TRAVEL
- $\triangle 7$  HARDWARE MAY BE PACKAGED UNASSEMBLED PER MIL-S-8805
- $\triangle 8$  BASIC SWITCHES HAVE GOLD CONTACTS

THIS DRAWING COVERS A PROPRIETARY ITEM AND IS THE PROPERTY OF MICRO SWITCH. A DIVISION OF HONEYWELL. THIS DRAWING IS NOT TO BE COPIED OR USED WITHOUT THE APPROVAL OF MICRO SWITCH

THIRD ANGLE PROJECTION



**CHARACTERISTICS**

OPERATING FORCE — — — — 6 - 12 LB  
FULL OVERTRAVEL FORCE — — — — 30 LB MAX  
RELEASE FORCE — — — — 4 LB MIN  
PRETRAVEL — — — — .040 MAX  
DIFFERENTIAL TRAVEL — — — .020 MAX  
OVERTRAVEL — — — — .250 MIN

**ELECTRICAL DATA**

CONTACT ARRANGEMENT 2X S P D T	
LOAD	28 VDC $\triangle 8$
	SEA LEVEL 50,000 FT
RES	1 AMP 1 AMP
IND	0.5 AMP 0.5 AMP

SCALE FULL

DO NOT SCALE PRINT

**UNLESS OTHERWISE SPECIFIED TOLERANCES ARE**

ONE PLACE (.0) ±.030  
TWO PLACE (.00) ±.015  
THREE PLACE (.000) ±.005  
ANGLES ±

WEIGHT 8 OZ MAX

ANSI Y14.5M-1982 APPLIES

DDM/CAD

J A K

2 MAR 98

3 MAR 98

3 MAR 98

3 MAR 98

3 MAR 98

3 MAR 98

3 MAR 98

3 MAR 98

3 MAR 98

3 MAR 98

3 MAR 98

3 MAR 98

3 MAR 98

3 MAR 98

3 MAR 98

3 MAR 98

3 MAR 98

3 MAR 98

3 MAR 98

3 MAR 98

3 MAR 98

3 MAR 98

3 MAR 98

3 MAR 98

3 MAR 98

3 MAR 98

3 MAR 98

3 MAR 98

3 MAR 98

3 MAR 98

3 MAR 98

3 MAR 98

3 MAR 98

3 MAR 98

3 MAR 98

3 MAR 98

3 MAR 98

3 MAR 98

3 MAR 98

3 MAR 98

3 MAR 98

3 MAR 98

3 MAR 98

3 MAR 98

3 MAR 98

3 MAR 98

3 MAR 98

3 MAR 98

3 MAR 98

3 MAR 98

3 MAR 98

3 MAR 98

3 MAR 98

3 MAR 98

3 MAR 98

3 MAR 98

3 MAR 98

3 MAR 98

3 MAR 98

3 MAR 98

3 MAR 98

3 MAR 98

3 MAR 98

3 MAR 98

3 MAR 98

3 MAR 98

3 MAR 98

3 MAR 98

3 MAR 98

3 MAR 98

3 MAR 98

3 MAR 98

3 MAR 98

3 MAR 98

3 MAR 98

3 MAR 98

3 MAR 98

3 MAR 98

3 MAR 98

3 MAR 98

3 MAR 98

3 MAR 98

3 MAR 98

3 MAR 98

3 MAR 98

3 MAR 98

3 MAR 98

3 MAR 98

3 MAR 98

3 MAR 98

3 MAR 98

3 MAR 98

3 MAR 98

3 MAR 98

## X-ON Electronics

Largest Supplier of Electrical and Electronic Components

*Click to view similar products for [Basic / Snap Action Switches](#) category:*

*Click to view products by [Honeywell](#) manufacturer:*

Other Similar products are found below :

[5SM901-S12](#) [5SM9-S12N195](#) [602EN532](#) [602EN535-RB](#) [602HE5-RB1](#) [604HE162](#) [604HE223-6B](#) [624HE17-RB](#) [6HM82](#) [6HM89](#) [6SE1](#)  
[6SX1-H58](#) [70500216](#) [70599106](#) [MBD5B1](#) [MBH2731](#) [73-316-0012](#) [EXD-AR20](#) [79211923](#) [79218589](#) [7AS12](#)  
[MIL30126AB6BBMD4A12XAU](#) [ML-1155](#) [ML-1376](#) [831010C3.0](#) [831090C2.EL](#) [83131904](#) [84212012](#) [8AS239](#) [8HM73-3](#) [8SX26-H33](#)  
[914CE1-6G](#) [PL-100](#) [11SM1077-H4](#) [11SM1077-H58](#) [11SM1-TN107](#) [11SM405](#) [11SM8423-H2](#) [11SX37-T](#) [11SX48-H58](#) [11SM2442-T](#)  
[11SM76-T](#) [11SM77-H58](#) [11SM77-T](#) [11SM863-T](#) [11SM866](#) [A7CN-1M-1-LEFT](#) [A831700C7.0](#) [121EN187-R](#) [121EN188-R](#)