

**MICRO SWITCH**  
 FREEPORT ILLINOIS U.S.A.  
 A DIVISION OF HONEYWELL  
 FED. MFG. CODE 91929

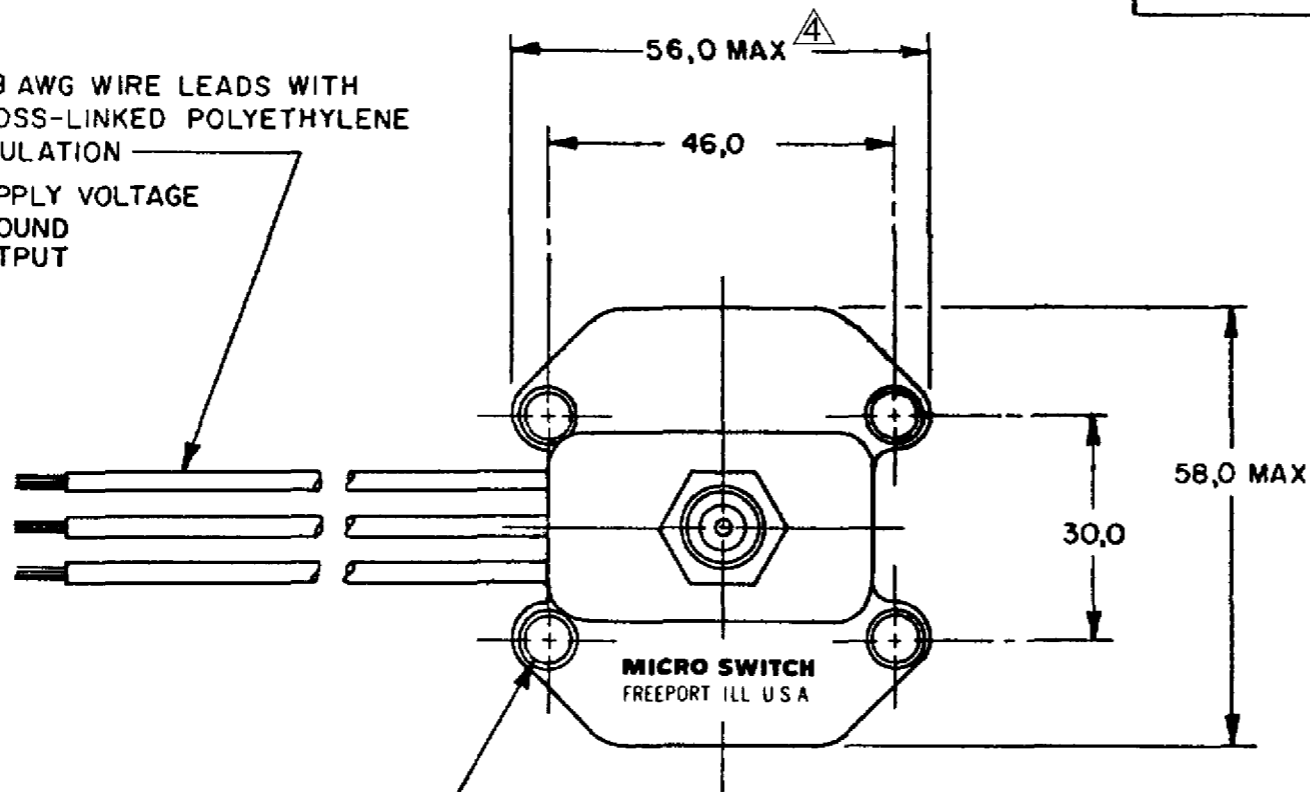
**PRESSURE  
 TRANSDUCER**

CATALOG LISTING  
**242PC150 SERIES**  
**CHART 1**

THIS DRAWING COVERS A PROPRIETARY ITEM AND IS THE PROPERTY OF MICRO SWITCH, A DIVISION OF HONEYWELL. THIS DRAWING IS NOT TO BE COPIED OR USED WITHOUT THE APPROVAL OF MICRO SWITCH.

| CATALOG LISTING | INPUT PORT SEAL MATERIAL | INPUT MEDIA COMPATIBILITY <sup>3</sup> |
|-----------------|--------------------------|--|
| 242PC150G       | BUNA-N                   | OILS, FUELS, LUBRICANTS                |
| (B)             | ETHYLENE PROPYLENE       | STEAM, SOAPS, POLAR SOLVENTS           |
|                 |                          |  |
|                 |                          |  |

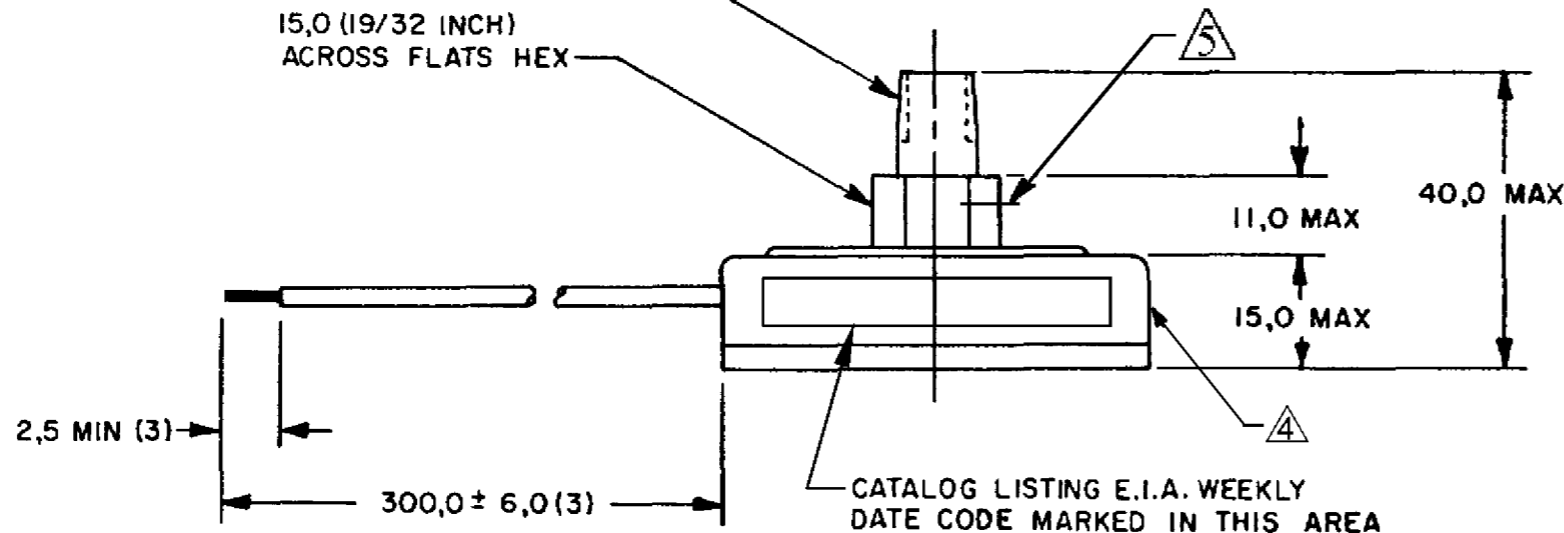
#18 AWG WIRE LEADS WITH  
 CROSS-LINKED POLYETHYLENE  
 INSULATION  
 RED=SUPPLY VOLTAGE  
 BLK=GROUND  
 GRN=OUTPUT



CLEARANCE FOR M5 OR  
 #10 ENGLISH FASTENER (4)

1/8-27 NPT THREADED  
 INPUT PORT (PRESSURE P2)

15.0 (19/32 INCH)  
 ACROSS FLATS HEX



**GENERAL OPERATING CHARACTERISTICS**

|                     |                                |
|---------------------|--------------------------------|
| PRESSURE RANGE      | 0 TO 150 PSIG (0 TO 1034 KPa)  |
| PROOF PRESSURE      | 300 PSI MAX (2068 KPa MAX)     |
| BURST PRESSURE      | 800 PSI TYP (5516 KPa TYP)     |
| TEMPERATURE RANGES  |                                |
| STORAGE             | -40° TO +85°C                  |
| OPERATE             | -40° TO +85°C                  |
| COMPENSATED         | -18° TO +63°C                  |
| SUPPLY VOLTAGE      | 7.0 TO 16.0 VDC                |
| SUPPLY CURRENT      | 20 mA MAX WITH 10K LOAD        |
| SHORT CIRCUIT LIMIT | MAY BE SHORTED INDEFINITELY    |
| OUTPUT VOLTAGE      | PROPORTIONAL TO SUPPLY VOLTAGE |
| GROUND REFERENCE    | SUPPLY AND OUTPUT ARE COMMON   |

**ELECTRICAL PERFORMANCE AT 25°C AND 8.00 ± 0.01 VDC SUPPLY**

|   |                 |
|---|-----------------|
| NULL (0 PSIG)                                     | 1.00 ± 0.05 VDC |
| FULL SCALE (150 PSIG)                             | 6.00 ± .200 VDC |
| SENSITIVITY                                       | 33.3 mV/PSI TYP |
| LINEARITY (% F.S.O.) <sup>2</sup> (BFSL)          | ± 0.5% MAX      |
| HYSTERESIS & REPEATABILITY (%F.S.O.) <sup>2</sup> | ± 0.25% TYP     |
| TEMPERATURE ERROR (%F.S.O.) <sup>2</sup>          |                 |
| -18° < 25° > 63°C                                 | ± 1.5% MAX      |
| -40° < 25° > 85°C                                 | ± 3.0% TYP      |
| RESPONSE TIME                                     | 1 m SEC MAX     |

**NOTES**

- HOUSING IS BLACK ANODIZED ALUMINIUM
- F.S.O. IS THE ALGEBRAIC DIFFERENCE BETWEEN THE OUTPUT END POINTS (NULL AND FULL PRESSURE)
- CONTACT MICRO SWITCH FOR MORE DETAILED INFORMATION CONCERNING MEDIA COMPATABILITY
- MEASURE AT POINT SHOWN
- MEASURE AT POINTS SHOWN

| METRIC       | INCH    | THIRD ANGLE PROJECTION  |         |              |      |              |      |    |       |    |       |           |   |       |     |           |     |           |     |            |       |           |       |              |         |           |         |
|--------------|---------|---|---------|--------------|------|--------------|------|----|-------|----|-------|-----------|---|-------|-----|-----------|-----|-----------|-----|------------|-------|-----------|-------|--------------|---------|-----------|---------|
| 2.5          | .10     |   |         |              |      |              |      |    |       |    |       |           |   |       |     |           |     |           |     |            |       |           |       |              |         |           |         |
| 30.0         | 1.18    |   |         |              |      |              |      |    |       |    |       |           |   |       |     |           |     |           |     |            |       |           |       |              |         |           |         |
| 11.0         | .43     | SCALE FULL  |         |              |      |              |      |    |       |    |       |           |   |       |     |           |     |           |     |            |       |           |       |              |         |           |         |
| 15.0         | .59     | DO NOT SCALE PRINT  |         |              |      |              |      |    |       |    |       |           |   |       |     |           |     |           |     |            |       |           |       |              |         |           |         |
| 40.0         | 1.57    | TOLERANCES  |         |              |      |              |      |    |       |    |       |           |   |       |     |           |     |           |     |            |       |           |       |              |         |           |         |
| 46.0         | 1.81    | APPLY TO DESIGN UNITS. CONVERSIONS ARE ONLY FOR REFERENCE. UNLESS NOTED, TOLERANCES ARE:  |         |              |      |              |      |    |       |    |       |           |   |       |     |           |     |           |     |            |       |           |       |              |         |           |         |
| 56.0         | 2.20    | <table border="1"> <thead> <tr> <th>DESIGN UNITS</th> <th>TOL.</th> <th>DESIGN UNITS</th> <th>TOL.</th> </tr> </thead> <tbody> <tr> <td>mm</td> <td>mm/in</td> <td>mm</td> <td>mm/in</td> </tr> <tr> <td>NO PLACES</td> <td>X</td> <td>1/16"</td> <td>X X</td> </tr> <tr> <td>ONE PLACE</td> <td>X X</td> <td>0.02/0.18</td> <td>X X</td> </tr> <tr> <td>TWO PLACES</td> <td>X X X</td> <td>0.15/0.06</td> <td>X X X</td> </tr> <tr> <td>THREE PLACES</td> <td>X X X X</td> <td>0.25/0.05</td> <td>X X X X</td> </tr> </tbody> </table> |         | DESIGN UNITS | TOL. | DESIGN UNITS | TOL. | mm | mm/in | mm | mm/in | NO PLACES | X | 1/16" | X X | ONE PLACE | X X | 0.02/0.18 | X X | TWO PLACES | X X X | 0.15/0.06 | X X X | THREE PLACES | X X X X | 0.25/0.05 | X X X X |
| DESIGN UNITS | TOL.    | DESIGN UNITS  | TOL.    |              |      |              |      |    |       |    |       |           |   |       |     |           |     |           |     |            |       |           |       |              |         |           |         |
| mm           | mm/in   | mm  | mm/in   |              |      |              |      |    |       |    |       |           |   |       |     |           |     |           |     |            |       |           |       |              |         |           |         |
| NO PLACES    | X       | 1/16"   | X X     |              |      |              |      |    |       |    |       |           |   |       |     |           |     |           |     |            |       |           |       |              |         |           |         |
| ONE PLACE    | X X     | 0.02/0.18   | X X     |              |      |              |      |    |       |    |       |           |   |       |     |           |     |           |     |            |       |           |       |              |         |           |         |
| TWO PLACES   | X X X   | 0.15/0.06   | X X X   |              |      |              |      |    |       |    |       |           |   |       |     |           |     |           |     |            |       |           |       |              |         |           |         |
| THREE PLACES | X X X X | 0.25/0.05   | X X X X |              |      |              |      |    |       |    |       |           |   |       |     |           |     |           |     |            |       |           |       |              |         |           |         |
| 58.0         | 2.28    | DESIGN UNITS <input checked="" type="checkbox"/> METRIC <input type="checkbox"/> U.S. CUSTOMARY   |         |              |      |              |      |    |       |    |       |           |   |       |     |           |     |           |     |            |       |           |       |              |         |           |         |
| 300.0        | 11.81   | WEIGHT 85G (3 OZ) MAX   |         |              |      |              |      |    |       |    |       |           |   |       |     |           |     |           |     |            |       |           |       |              |         |           |         |

CATALOG LISTING  
**M 242PC150 SERIES CHART 1**  
 PAGE 1 OF 1

ISSUE  
**4**

REVISIONS

|   |        |     |           |
|---|--------|-----|-----------|
| A | 200565 | CST | 8 JUN 00  |
| B | 201505 | GJW | 23 OCT 00 |
| C | 33433  | AB  | 29 AUG 07 |

RELEASE NO. CO-78466 REPLACES 242PC150 CHART 1

ECR0025788  
 CMG  
 8/24/2007

10 JUN 94 CHECK KAG 23 JUN 04 CHECK

RASTER  
 DRAWN  
 KDR

## X-ON Electronics

Largest Supplier of Electrical and Electronic Components

*Click to view similar products for [Industrial Pressure Sensors](#) category:*

*Click to view products by [Honeywell](#) manufacturer:*

Other Similar products are found below :

[76053-00000400-01](#) [M83723/76R2219N](#) [D38999/20ME6BN](#) [75380-05](#) [76053-00000300-01](#) [76053-00000300-05](#) [76061-00000015-01](#)  
[76062-B00000350-01](#) [76063-00000350-05](#) [76083-05000500-01](#) [76311-05](#) [76577-00000070-01](#) [76584-M00000100-24](#) [77343-24.0H2-01](#)  
[77343-25.0H2-01](#) [78291-B00000060-01](#) [78303-B00000400-01](#) [78303-B00000400-05](#) [78316-B00000030-01](#) [78665-00000014-05](#) [78678-](#)  
[00000040-01](#) [78928-00000040-01](#) [79279-00000060-01](#) [79296-B00000350-01](#) [79322-00250035-01](#) [79614-30.0H2-14](#) [79670-00000090-15](#)  
[79700-00002750-01](#) [79917-B00000280-01](#) [80569-00700100-01](#) [81509081](#) [MLH010BST01A](#) [MLH010BST14A](#) [MLH025BGC13B](#)  
[MLH025BSCDJ1292](#) [MLH025BSCDJ1303](#) [MLH750PSCDJ1245](#) [83250-02500600-05](#) [83271-00000040-04](#) [83278-B00000200-21](#) [83282-](#)  
[00000100-05](#) [83286-00000150-01](#) [83298-00000120-01](#) [83299-00000150-05](#) [83303-00000600-01](#) [83305-00001350-01](#) [83330-00000100-01](#)  
[83350-04.0HG-05](#) [83350-15.0H2-05](#) [83357-00000030-21](#)