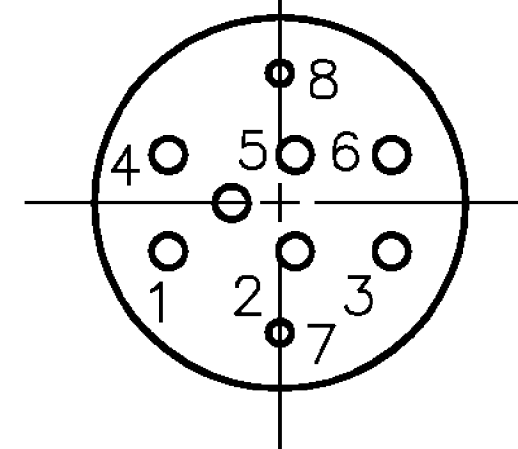
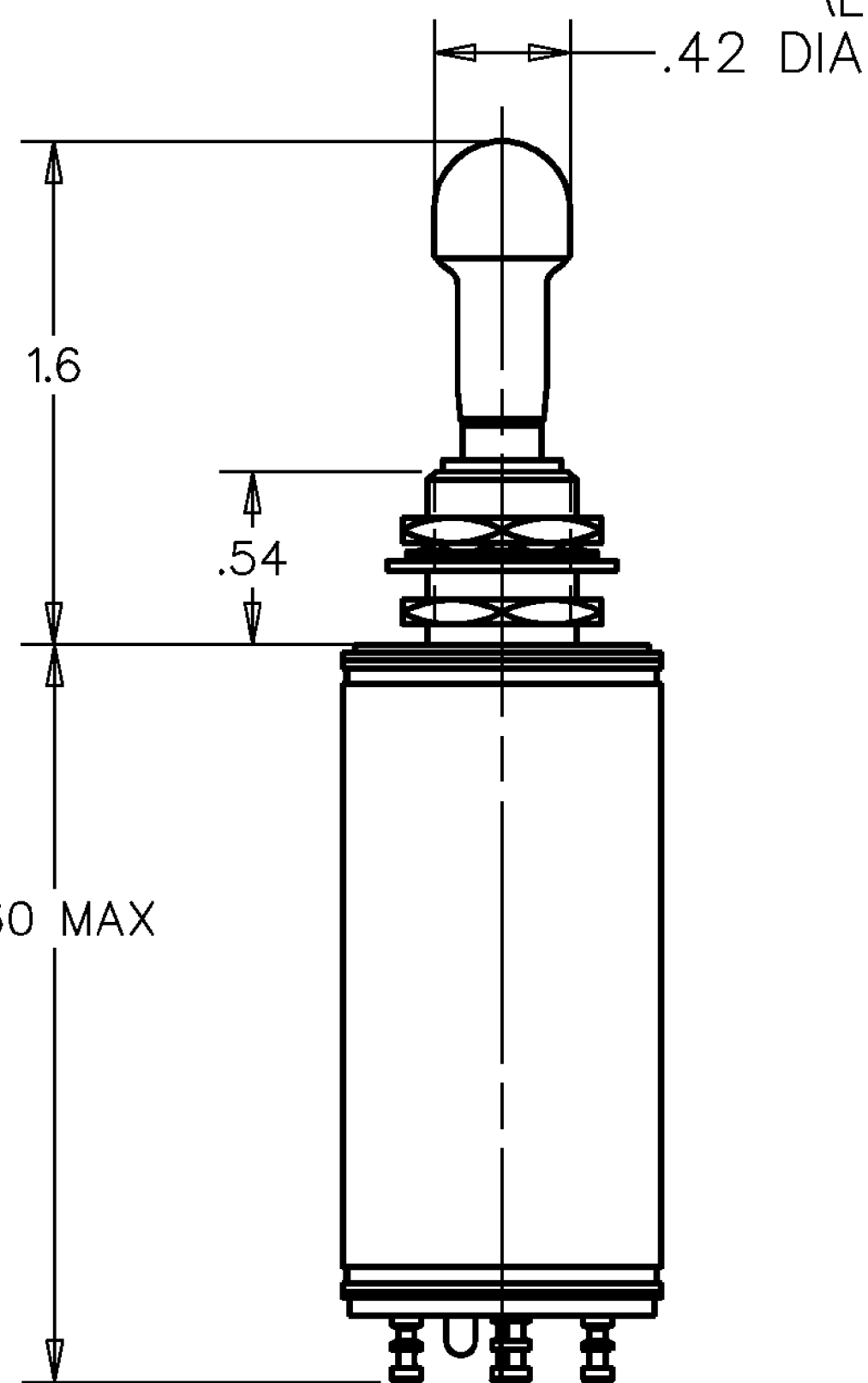
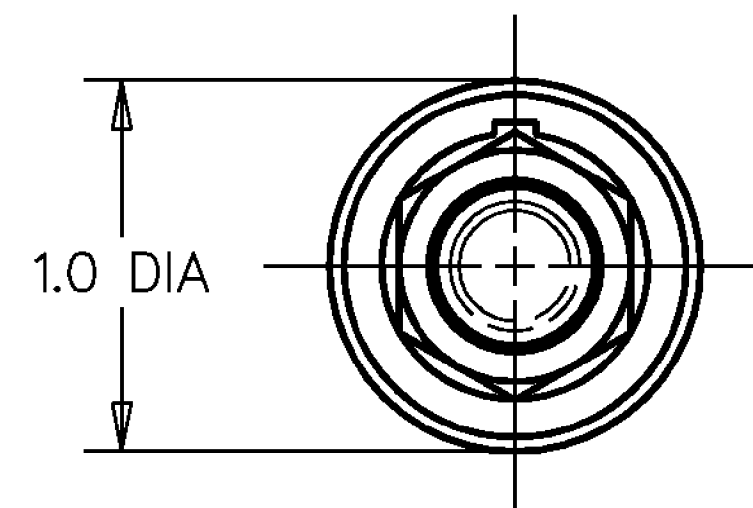
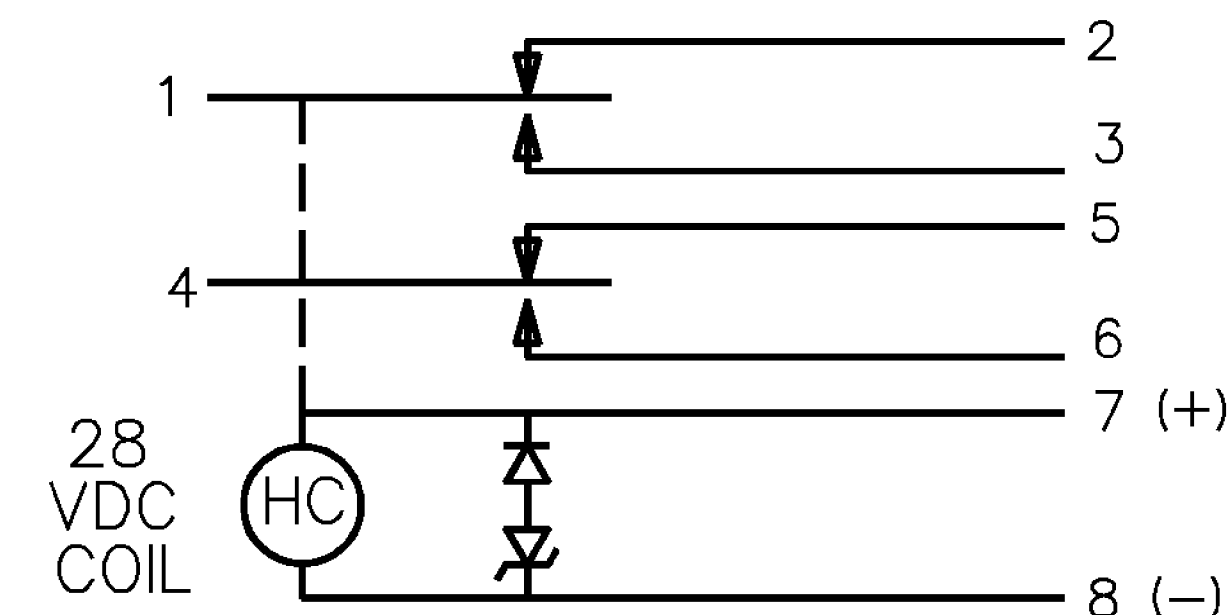


MICRO SWITCH
 FREEPORT, ILLINOIS, U. S. A.
 A DIVISION OF HONEYWELL
 FED. MFG. CODE 91929

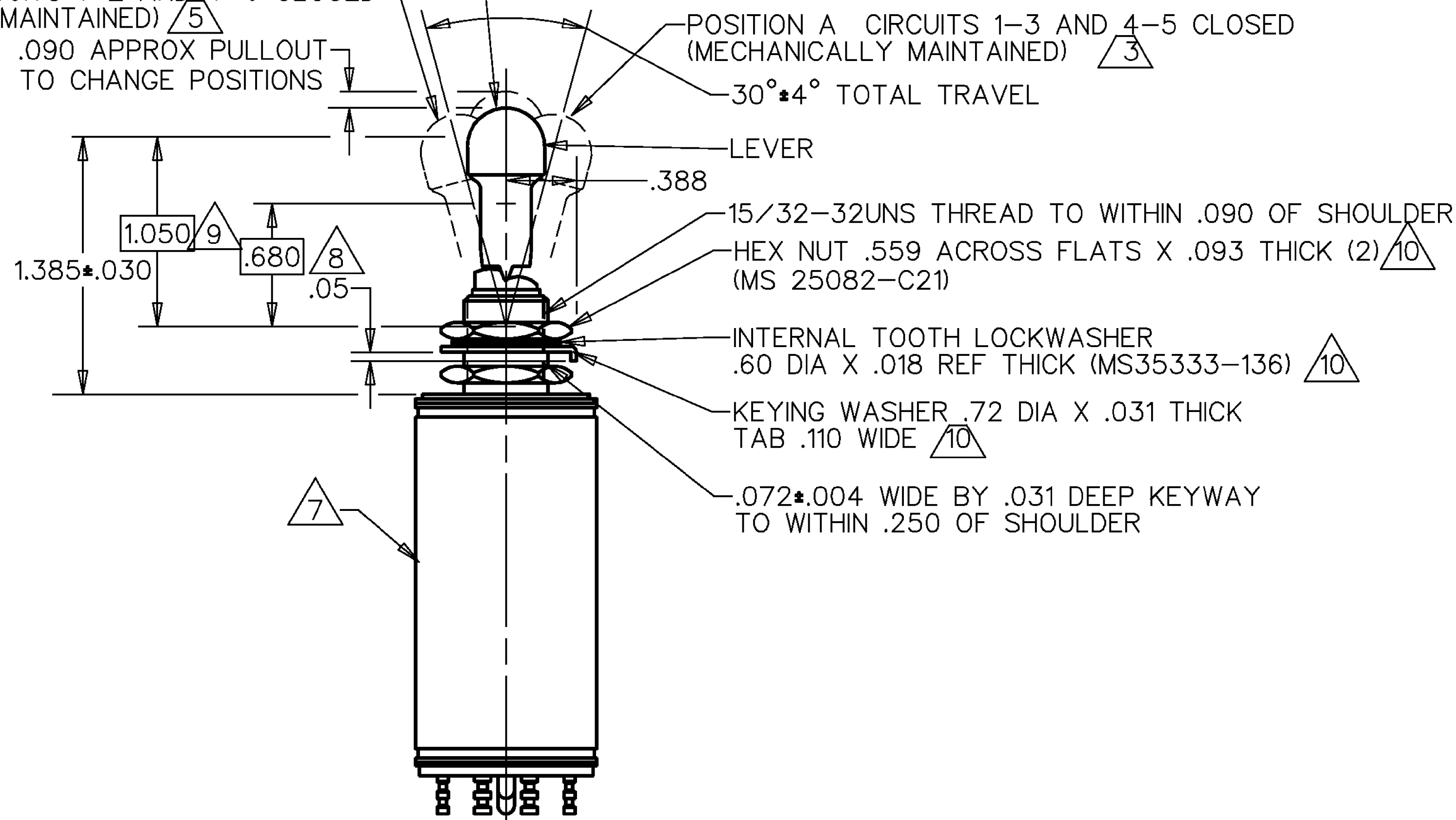
**SWITCH - TOGGLE
 (MAGNETIC HOLD-IN)**

CATALOG LISTING
27ET118-T2-N

WARNING- THIS PRODUCT IS SUBJECT TO THE U.S. INTERNATIONAL TRAFFIC IN ARMS REGULATIONS (ITAR), AND THE EXPORT CONTROL LAWS OF THE UNITED STATES. TRANSFER OF TECHNICAL DATA PERTAINING TO THIS PRODUCT BY ANY MEANS TO A FOREIGN PERSON PER ITAR DEFINITIONS, WHETHER IN THE UNITED STATES OR ABROAD, WITHOUT A PRIOR EXPORT LICENSE OR OTHER APPROVAL FROM THE U.S. DEPARTMENT OF STATE, IS PROHIBITED.



POSITION B CIRCUITS 1-2 AND 4-5 CLOSED (MECHANICALLY MAINTAINED) $\triangle 3 \times 6$
 POSITION C CIRCUITS 1-2 AND 4-6 CLOSED (ELECTRICALLY MAINTAINED) $\triangle 5$



- NOTES
- 1 - EXPOSED PARTS ARE OF CORROSION RESISTANT MATERIAL OR SUITABLY PROTECTED TO PREVENT CORROSION. ENCLOSURE FINISHED WITH BLUE EPOXY BASED ENAMEL COLOR NO. 25184 PER FEDERAL STANDARD 595
 - $\triangle 2$ - SWITCH SEALED PER MIL-S-5594
 - $\triangle 3$ - CONTACTS TRANSFER AS LEVER PASSES OVER UPPER FLAT PORTION OF LOCKOUT PROTRUSION
 - $\triangle 4$ - HOLD-IN VOLTAGE: THE MINIMUM SPECIFIED VOLTAGE AT WHICH THE LEVER WILL REMAIN ACTUATED. HOLD-IN MAY OCCUR AT A LOWER VALUE. DROP-OUT VOLTAGE: THE VOLTAGE RANGE IN WHICH THE LEVER WILL BE RELEASED
 - $\triangle 5$ - CIRCUITS 1-2 AND 4-6 CAN BE BROKEN MANUALLY
 - $\triangle 6$ - ENERGIZING SOLENOID WILL NOT CAUSE TRANSFER OF CIRCUITS
 - $\triangle 7$ - CIRCUIT IDENTIFICATION IS SHOWN ON SWITCH
 - $\triangle 8$ - FORCE TO APPLIED AT THIS POINT IN A DIRECTION PERPENDICULAR TO THE LEVER LONGITUDINAL AXIS
 - $\triangle 9$ - OVERRIDE FORCE AT $\triangle 9$ 10 LBS MAX AT 30 VDC, .93 LBS MIN AT 17 VDC
 - $\triangle 10$ - HARDWARE MAY BE FURNISHED UNASSEMBLED PER MIL-S-5594

DRAWING NUMBER: 27ET118-T2-N
 ISSUE: 9
 REVISIONS:
 A CO61410 KAG 6 MAY 87
 B CO62907 MAM 23 SEP 88
 C CO82958 GLH 22 MAY 97
 D 0007597 TCC-AP 1 SEP 04
 CHECK: MAM 21 JUN 87
 DRAWN: KAG 6 MAY 87
 RELEASE NO. PR-11409
 REPLACES: X75431-ET

DDM/CAD

THIS DRAWING COVERS A PROPRIETARY ITEM AND IS THE PROPERTY OF MICRO SWITCH, A DIVISION OF HONEYWELL. THIS DRAWING IS NOT TO BE COPIED OR USED WITHOUT THE APPROVAL OF MICRO SWITCH

CHARACTERISTICS	4
SOLENOID RATING AT 20° C	
STEAD STATE LIMITS	20-29 VDC
HOLD IN	15 VDC
DROP OUT	1-15 VDC
COIL RESISTANCE	220 OHM MIN
OPERATING FORCE	7 LBS MAX 1.25 LB MIN $\triangle 8$

ELECTRICAL DATA	
CONTACT ARRANGEMENT S P D T (2)	
VOLTAGE	RATINGS IN AMPHERES
	SEA LEVEL 65,000 FT
28 VOLTS DC	INRUSH RES IND MOTOR

SCALE	FULL
DO NOT SCALE PRINT	
TOLERANCES APPLY TO DESIGN UNITS. CONVERSIONS ARE ONLY FOR REFERENCE. UNLESS NOTED, TOLERANCES ARE \pm	
ONE PLACE	(.0) $\pm .030$
TWO PLACES	(.00) $\pm .015$
THREE PLACES	(.000) $\pm .005$
ANGLES	\pm
RAW MATERIAL-COMMERCIAL STANDARD	
THIRD ANGLE PROJECTION	
WEIGHT	4 OZ MAX

X-ON Electronics

Largest Supplier of Electrical and Electronic Components

Click to view similar products for [Toggle Switches](#) category:

Click to view products by [Honeywell](#) manufacturer:

Other Similar products are found below :

[8A1-C-222](#) [60012L](#) [6006L](#) [6663](#) [7101MD9V30GE](#) [7101SPDV30BE](#) [7103SDV30BE](#) [7105D](#) [7108P3YAV2BE](#) [71YY50282](#)
[7201MD9AVBE](#) [7301K38](#) [7306K36](#) [7310K36](#) [7314K36](#) [7506K4](#) [7660K12](#) [7691K14](#) [7700K1](#) [FA75A-CBL](#) [8396K108](#) [8824K14](#) [8828K13](#)
[G2VX](#) [G3VX](#) [PS83-121G](#) [A101MD9AB04](#) [A101SD9AB04](#) [A101SDCQ04](#) [A103SD9AQ04](#) [A107TZB04](#) [A123P32YZQ](#) [A123S1YZG](#)
[A127S1YCQ](#) [1-1825192-0](#) [A131S1YZQ](#) [A201SCWZB04](#) [A207SYCB04](#) [A208J61ZQ0004](#) [A221K12KAG](#) [A221S1YZQ](#) [A221T1TCQ](#)
[A232K12KZQ](#) [A232M1YCQ](#) [A323S1CWZQ](#) [A423S1CWZG-M8](#) [A423S1YZQ](#) [12149A-3V](#) [12156AX408](#) [12147AGKX679](#)