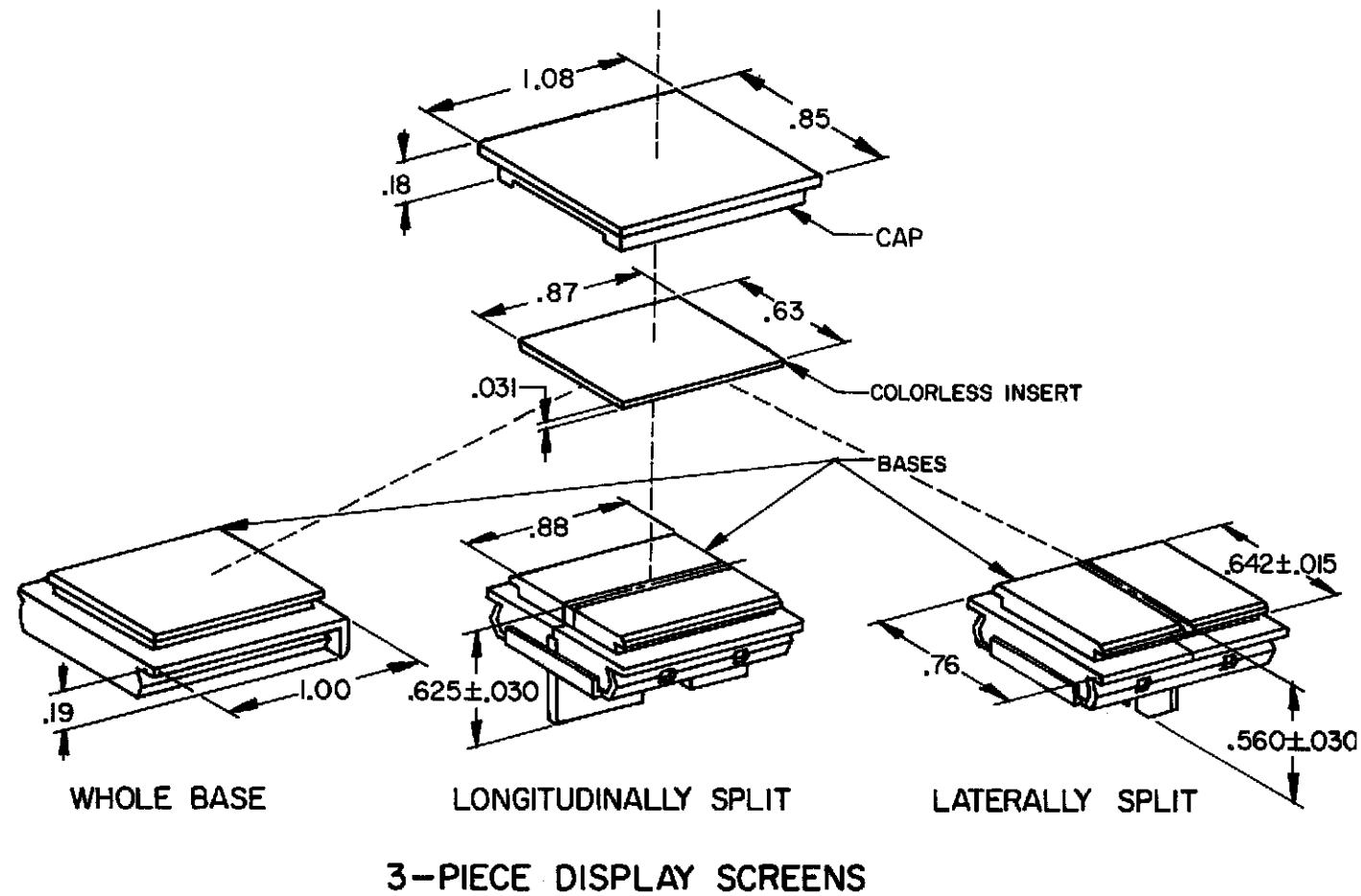


L 0069773  
MBN  
23SEP10

THIS DRAWING COVERS A PROPRIETARY ITEM AND IS THE PROPERTY OF MICRO SWITCH, A DIVISION OF HONEYWELL. THIS DRAWING IS NOT TO BE COPIED OR USED WITHOUT THE APPROVAL OF MICRO SWITCH

COLORS		CATALOG LISTINGS		
		3-PIECE DISPLAY SCREEN		
CAP	BASE	WHOLE BASE	LONGITU-DINALLY	LATER-ALLY
RED	RED	2A66		
YELLOW	YELLOW	Ⓣ		
GREEN	GREEN	2A68		
BLUE	BLUE	Ⓣ		
COLORLESS	WHITE	2A70		
COLORLESS	WHITE	2A242		
COLORLESS	RED & RED		2A51	Ⓣ
COLORLESS	RED & YELLOW		2A52	Ⓣ
COLORLESS	RED & GREEN		2A53	Ⓣ
COLORLESS	RED & BLUE		Ⓣ	
COLORLESS	RED & WHITE		2A55	Ⓣ
COLORLESS	YELLOW & GREEN		2A56	Ⓣ
COLORLESS	YELLOW & BLUE		Ⓣ	
COLORLESS	YELLOW & WHITE		2A58	2A43
COLORLESS	YELLOW & YELLOW		2A59	Ⓣ
COLORLESS	GREEN & BLUE		Ⓣ	Ⓣ
COLORLESS	GREEN & WHITE		2A61	2A46
COLORLESS	GREEN & GREEN		2A62	2A47
COLORLESS	BLUE & WHITE		Ⓣ	Ⓣ
COLORLESS	BLUE & BLUE		Ⓣ	
COLORLESS	WHITE & WHITE		2A65	2A50
COLORLESS	AMBER & AMBER		Ⓣ	
COLORLESS	WHITE & AMBER		Ⓣ	
COLORLESS	GREEN & WHITE		2A209	
COLORLESS	AMBER & WHITE		2A7093	Ⓣ
COLORLESS	WHITE & WHITE		Ⓣ	
COLORLESS	RED	Ⓣ		
COLORLESS	RED & GREEN		2A259	
COLORLESS	GREEN	2A248		
COLORLESS	GREEN & RED			Ⓣ
COLORLESS	RED & GREEN			2A38-L
COLORLESS	RED & RED		2A51-L	
COLORLESS	WHITE	2A70-L		



3-PIECE DISPLAY SCREENS

THIRD ANGLE PROJECTION  
  
 SCALE FULL  
 DO NOT SCALE PRINT  
 UNLESS OTHERWISE SPECIFIED TOLERANCES ARE  
 ONE PLACE (.0) ±.030  
 TWO PLACE (.00) ±.015  
 THREE PLACE (.000) ±.005  
 ANGLES ±  
 WEIGHT

CATALOG LISTING  
2A SERIES CHART 1  
PAGE 1 OF 2  
ISSUE 34

REVISIONS

A	PR-22292	KDR	7 AUG 96
B	C093124	GJW	14 SEP 98
C	C093789	DLT	22 OCT 98
D	CO-95777	CO	95777
E	201724	GJW	14 NOV 00
F	203864	CSL	5 SEP 01
G	0015825	BM	28 SEP 05
H	0055520	SSK	18 AUG 09
J	0057014	PRS	29 SEP 09
K	0061584	SJK	18 FEB 10

RASTER  
DRAWN

REPLACES PR-4572  
 CHECK CMH 23SEP10  
 CHECK CMH 18AUG09  
 CHECK CMH 8 AUG 96  
 CHECK MAM 7 AUG 96

**MICRO SWITCH**  
 FREEPORT, ILLINOIS, U.S.A.  
 A DIVISION OF HONEYWELL  
 FED. MFG. CODE 91929

**DISPLAY SCREENS**

CATALOG LISTING  
**2A SERIES CHART 1**

THIS DRAWING COVERS A PROPRIETARY ITEM AND IS THE PROPERTY OF MICRO SWITCH, A DIVISION OF HONEYWELL. THIS DRAWING IS NOT TO BE COPIED OR USED WITHOUT THE APPROVAL OF MICRO SWITCH.

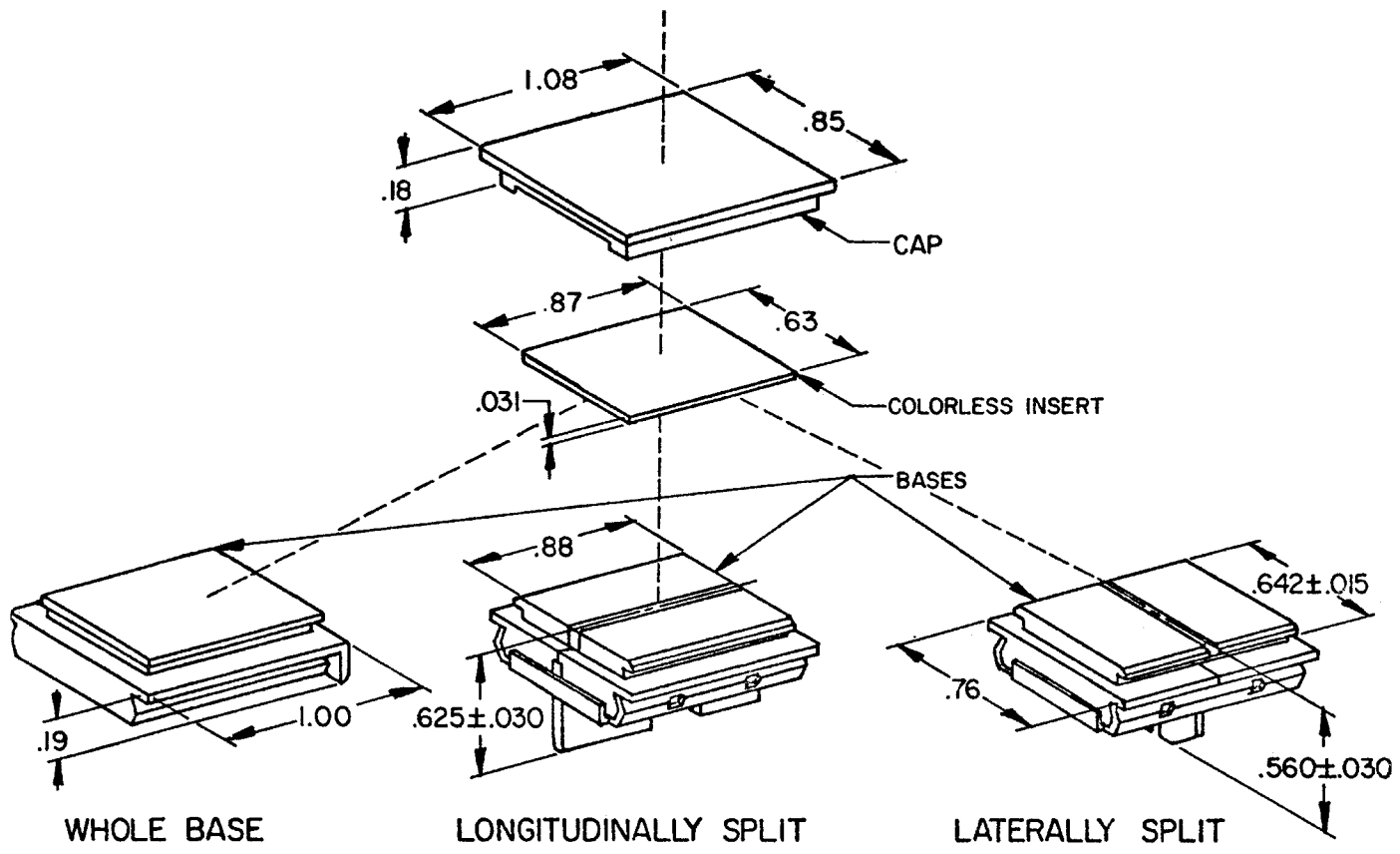
CATALOG LISTING  
**2A SERIES CHART 1**  
 PAGE 2 OF 2

ISSUE  
**M**  
 34

REVISIONS

A	CO-82436	JALA	5 FEB 96
B	CO-92836	C S L	17 AUG 98
C	CO93789	D L T	22 OCT 98
D	CO-95777	J J A	8 DEC 99
E	201724	G J W	14 NOV 00
F	203864	C S L	5 SEP 01
G	0015825	BM	28 SEP 05
H	0055520	SSK	18 AUG 09
J	0057014	PRS	29 SEP 09
K	0061584	SJK	18 FEB 10

REPLACES  
 18FEB10  
 CMH  
 CHECK  
 23SEP10  
 CMH  
 CHECK  
 10 OCT 80  
 C E B  
 CHECK  
 9 OCT 80



**3-PIECE DISPLAY SCREENS**

COLORS		CATALOG LISTINGS		
		3 - PIECE DISPLAY SCREEN		
CAP	BASE	WHOLE BASE	LONGITUDINALLY	LATERALLY
COLORLESS	BLUE & WHITE		(E)	
SMOKEY GREY	WHITE	(A)		
SMOKEY GREY	WHITE & WHITE		(A)	
NONE	WHITE & WHITE			2A160
COLORLESS	GREEN & WHITE			2A741
COLORLESS	WHITE & AMBER		(A)	
COLORLESS	RED	(B)		
COLORLESS	GREEN & GREEN			(A)
SMOKEY GREY	RED & RED		(A)	
COLORLESS	YELLOW & WHITE		(A)	
WHITE TRANSLUCENT	RED & BLUE			(A)
SMOKEY GREY	WHITE	(A)		
COLORLESS	AMBER & RED			(A)
NONE	AMBER & RED		(A)	
NONE	AMBER		(A)	
NONE	RED & WHITE		(A)	
NONE	AMBER & WHITE		(A)	
NONE	BLUE & WHITE			(A)
COLORLESS	YELLOW & GREEN			(A)
RED	WHITE	(A)		
GREEN	WHITE	(A)		
COLORLESS	CLEAR & RED		(A)	
COLORLESS	CLEAR & BLUE		(A)	
COLORLESS	CLEAR & YELLOW		(A)	
COLORLESS	CLEAR & GREEN		(A)	
COLORLESS	CLEAR & AMBER		(A)	

THIRD ANGLE PROJECTION

SCALE FULL

DO NOT SCALE PRINT

TOLERANCES

APPLY TO DESIGN UNITS. CONVERSIONS ARE ONLY FOR REFERENCE. UNLESS NOTED, TOLERANCES ARE ±

DIM.	TOL.	DIM.	TOL.
mm	mm/10	in	mm/in
NO PLACES	X	1/04	
ONE PLACE	X,X	0.4/016	X,X 0.8/03
TWO PLACES	X,XX	0.15/006	X,XX 0.38/015
THREE PLACES	X,XXX		X,XXX 0.13/005

DESIGN UNITS  SI METRIC  US CUSTOMARY

WEIGHT

RASTER

## X-ON Electronics

Largest Supplier of Electrical and Electronic Components

*Click to view similar products for [Pushbutton Switches](#) category:*

*Click to view products by [Honeywell](#) manufacturer:*

Other Similar products are found below :

[8940K2012](#) [LW1L-M1C10V-A](#) [LW1L-M1C70-A](#) [LW2L-A1C20M-GD](#) [LW2L-M1C20M-A](#) [60324L](#) [M22-D-R-GB0/K11](#) [M7E-HRN2](#)  
[67021K512](#) [67081K512X](#) [701PB580](#) [7190K101](#) [7199K101](#) [810K12910](#) [810KSV30B](#) [MML21EA2ADK](#) [MML21KA3ABK](#)  
[MML23KA3AC05K-001](#) [MML23KW3AA01W](#) [8418K2](#) [8442K3](#) [8450K1](#) [860K11911T01A](#) [861901](#) [861K11911T01A07](#)  
[861K13810T00A14](#) [861K13911](#) [8646AB6X718UL](#) [8646ABUL](#) [9001KXRK](#) [907AYY100](#) [PMHD155A1](#) [95-313.000](#)  
[9533CD4+U574+U4922](#) [95-414.000](#) [99-450.837](#) [99-453.837](#) [PV3H2B0NN-341](#) [1203MRA](#) [A22NZBGANGA](#) [A22NZBMMNGA](#)  
[A22NZBNANGA](#) [A22NZMPATRA](#) [A2PMA1X03EC56](#) [A3A-5123-02](#) [A3A-7140](#) [A3A-7310](#) [A3A-7340](#) [A3U-TMW-A2C-5M](#) [A595](#)