

MICRO SWITCH

FREERPORT ILLINOIS U S A
A DIVISION OF HONEYWELL

FED. MFG CODE 91929

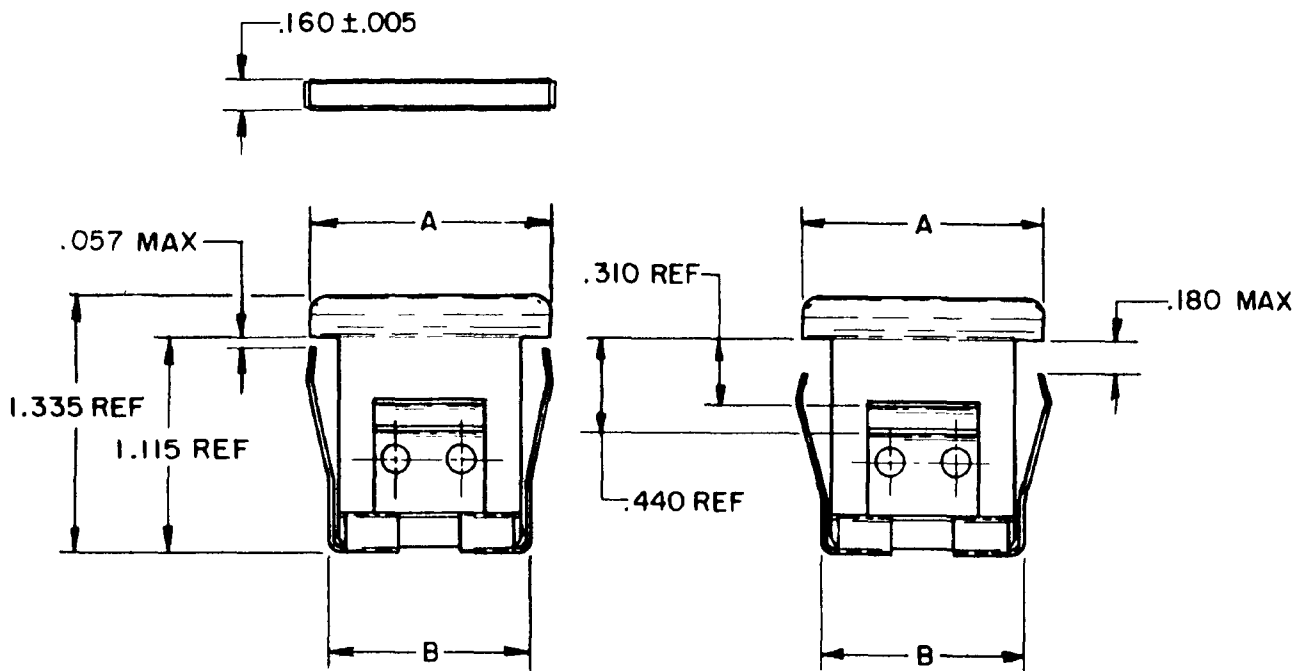
MOUNTING BARRIERS

CATALOG LISTING
2B SERIES CHART 1

THIS DRAWING COVERS A PROPRIETARY ITEM AND IS THE PROPERTY OF MICRO SWITCH. A DIVISION OF HONEYWELL THIS DRAWING IS NOT TO BE COPIED OR USED WITHOUT THE APPROVAL OF MICRO SWITCH.

ISSUE 7

CATALOG LISTING
M 2B SERIES CHART 1
PAGE 1 OF 1
DRAWING NUMBER
ISSUE 7
RELEASE NO. CO 13769 (PR)
REPLACES



TYPE 1

FOR PANEL .06-.19 THICKNESS

TYPE 2

FOR PANEL .19-.31 THICKNESS

REVISIONS

A	CO-82436 JALA 7 FEB 96
B	CO-83029 CSL 29 AUG 96
C	CO-93124 G J W 11 SEP 98
D	CO-95794 CSL 28 JAN 00
E	201724 G J W 14 NOV 00

CATALOG LISTINGS

MOUNTING

COLOR

SHORT - BARRIER

A = 1.010 ± .030 B = .810 MAX

LONG - BARRIER

A = 1.250 ± .030 B = 1.050 MAX

COLOR	SHORT - BARRIER		LONG - BARRIER	
	TYPE 1	TYPE 2	TYPE 1	TYPE 2
GRAY	2 B 1	2 B 5	2 B 2	(D)
BLACK	2 B 3	2 B 7	2 B 4	2 B 8
WHITE	2 B 10	2 B 12	(E)	(B)
RED	2 B 11	(C)	(D)	(A)
BLUE	(A)	(A)	(A)	(A)
BROWN			(A)	(A)
LIGHT BEIGE		(A)		
GREEN	2 B 48		(A)	
GRAY		(A)		
GREENISH - BLUE	(A)			
BLUE	(C)			

RASTER

DRAWN

RE R 19 SEP 67 CHECK L S D 19 SEP 67 CHECK

X-ON Electronics

Largest Supplier of Electrical and Electronic Components

Click to view similar products for [Switch Fixings](#) category:

Click to view products by [Honeywell](#) manufacturer:

Other Similar products are found below :

[893102000](#) [00-5150](#) [LZZ1A](#) [0098.9234](#) [M2PA-5011](#) [630155](#) [635401](#) [6PA113](#) [6PA147-E6](#) [6PA148-E6](#) [6PA32](#) [6PA9](#) [700106](#) [700109](#)
[700303A56](#) [700C1GRY](#) [700C2GRN](#) [704-6001](#) [704.960.9](#) [704.965.2](#) [704.965.6](#) [704.966.0](#) [7089-3](#) [710082-B11](#) [71M1048](#) [757200264](#)
[764300000](#) [MHU35](#) [MHU37](#) [807039-1](#) [825.003.011](#) [825.005.011](#) [825.053.011](#) [825.055.011](#) [826.000.071](#) [827.020.011](#) [827.400.021](#)
[835.900.023](#) [MML52C10C](#) [MML52E10C](#) [MML92HGH](#) [MML93K](#) [84211M02CNNS](#) [84212M02CNNS](#) [842.500.011](#) [843.000.011](#) [843187-000](#) [843487-000](#) [84-901](#) [84-902](#)