

MICRO SWITCH

FREERPORT ILLINOIS U S A
A DIVISION OF HONEYWELL

FED. MFG CODE 91929

MOUNTING BARRIERS

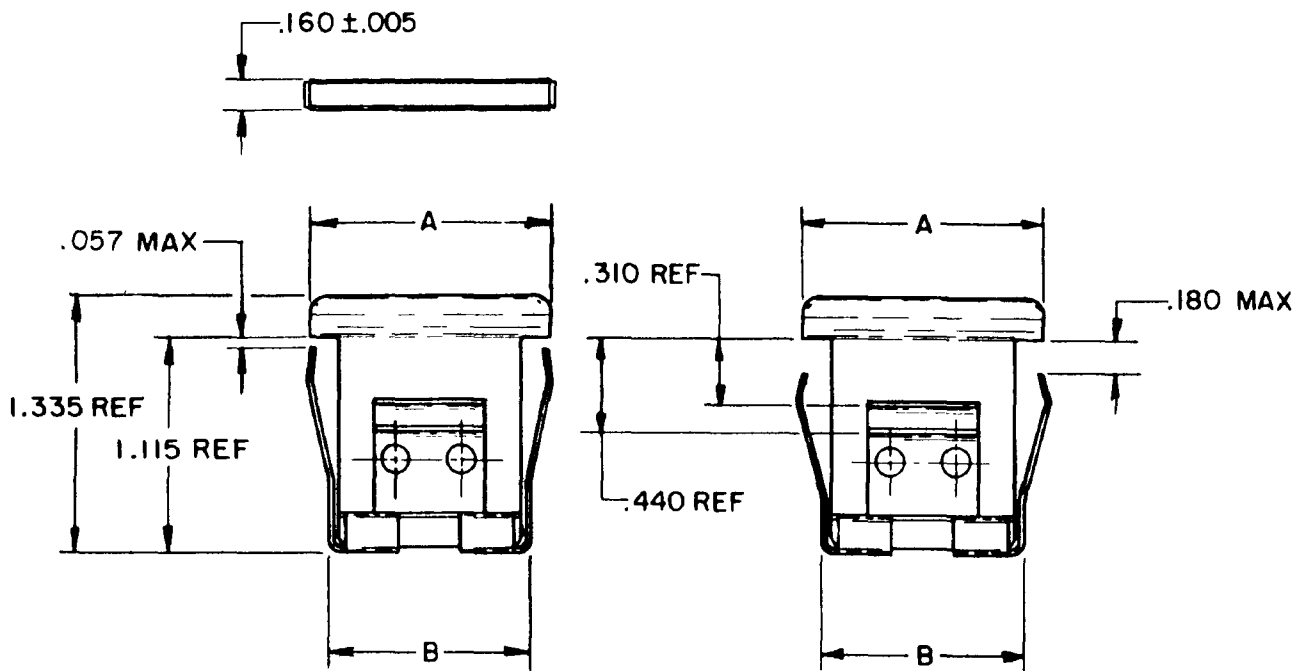
CATALOG LISTING

2B SERIES CHART 1

THIS DRAWING COVERS A PROPRIETARY ITEM AND IS THE PROPERTY OF MICRO SWITCH, A DIVISION OF HONEYWELL. THIS DRAWING IS NOT TO BE COPIED OR USED WITHOUT THE APPROVAL OF MICRO SWITCH.

ISSUE 7

CATALOG LISTING
2B SERIES CHART 1
PAGE 1 OF 1
RELEASE NO. CO 13769 (PR)
REPLACES
DRAWING NUMBER
M
ISSUE
415
6118



TYPE 1

FOR PANEL .06-.19
THICKNESS

TYPE 2

FOR PANEL .19-.31
THICKNESS

REVISIONS

A	CO-82436 JALA 7 FEB 96
B	CO-83029 CSL 29 AUG 96
C	CO-93124 G J W 11 SEP 98
D	CO-95794 CSL 28 JAN 00
E	201724 G J W 14 NOV 00

CATALOG LISTINGS

MOUNTING

COLOR

SHORT - BARRIER

A = 1.010 ± .030 B = .810 MAX

LONG - BARRIER

A = 1.250 ± .030 B = 1.050 MAX

COLOR	SHORT - BARRIER		LONG - BARRIER	
	TYPE 1	TYPE 2	TYPE 1	TYPE 2
GRAY	2 B 1	2 B 5	2 B 2	(D)
BLACK	2 B 3	2 B 7	2 B 4	2 B 8
WHITE	2 B 10	2 B 12	(E)	(B)
RED	2 B 11	(C)	(D)	(A)
BLUE	(A)	(A)	(A)	(A)
BROWN			(A)	(A)
LIGHT BEIGE		(A)		
GREEN	2 B 48		(A)	
GRAY		(A)		
GREENISH - BLUE	(A)			
BLUE	(C)			

RASTER

DRAWN

R E R 19 SEP 67 CHECK
L S D 19 SEP 67 CHECK

X-ON Electronics

Largest Supplier of Electrical and Electronic Components

Click to view similar products for [Pushbutton Switches](#) category:

Click to view products by [Honeywell](#) manufacturer:

Other Similar products are found below :

[8940K2012](#) [LW1L-M1C10V-A](#) [LW1L-M1C70-A](#) [LW2L-A1C20M-GD](#) [LW2L-M1C20M-A](#) [60324L](#) [M22-D-R-GB0/K11](#) [M7E-HRN2](#)
[67021K512](#) [67081K512X](#) [701PB580](#) [7190K101](#) [7199K101](#) [810K12910](#) [810KSV30B](#) [MML21EA2ADK](#) [MML21KA3ABK](#)
[MML23KA3AC05K-001](#) [MML23KW3AA01W](#) [8418K2](#) [8442K3](#) [8450K1](#) [860K11911T01A](#) [861901](#) [861K11911T01A07](#)
[861K13810T00A14](#) [861K13911](#) [8646AB6X718UL](#) [8646ABUL](#) [9001KXRK](#) [907AYY100](#) [PMHD155A1](#) [95-313.000](#)
[9533CD4+U574+U4922](#) [95-414.000](#) [99-450.837](#) [99-453.837](#) [PV3H2B0NN-341](#) [1203MRA](#) [A22NZBGANGA](#) [A22NZBMMNGA](#)
[A22NZBNANGA](#) [A22NZMPATRA](#) [A2PMA1X03EC56](#) [A3A-5123-02](#) [A3A-7140](#) [A3A-7310](#) [A3A-7340](#) [A3U-TMW-A2C-5M](#) [A595](#)