

Interactive Catalog Supplements Catalog PDFs

If you need detailed product information, or help choosing the right product for your application, see our **Interactive Catalog**. Use the **Interactive Catalog** to access the most complete and up-to-date information available.

The **Interactive Catalog** provides an extensive collection of product specifications, application data, and technical literature that can be searched based on criteria you select.

This PDF catalog information was published in November 2000.



Sensing and Control
**Interactive
Catalog...**

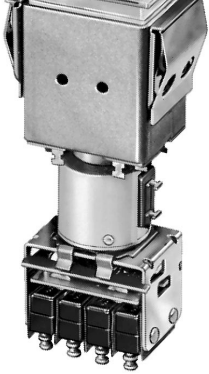
**Click this icon to try
the Interactive Catalog.**

Sensing and Control

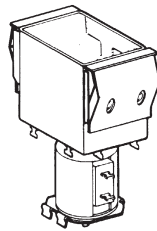
Honeywell Inc.

11 West Spring Street

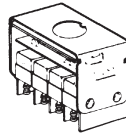
Freeport, IL 61032



Housing
(page 101)



Switch
unit
(page 102)



when replacing. Use only flange base T-1 $\frac{3}{4}$ lamps with 2C200 and 2F200 devices.

LAMPS AND FILTERS

Order lamps and filters for projected color from page 99.

Flange mount units have mounting clips ready-attached to the housing. They can be individually installed or replaced; and

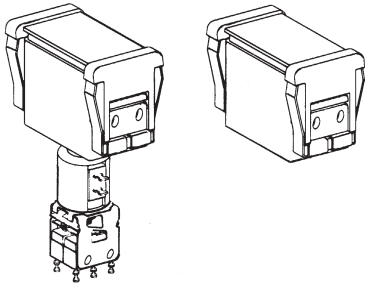
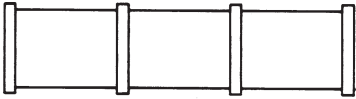
enable use of an overlay panel, if desired. Groupings can be separated by optional spacing barriers.

MODULES ASSEMBLE EASILY

All modules are ordered as separate items which snap together for easy assembly.



Barriers on short sides



Pushbuttons

SM SWITCH MODULE ORDER GUIDE

No. of SPDT Circuits	Momentary Action Touch-Feedback Type Silver Contacts	Alternate Action Low Force Type Silver Contacts
1	2D100	2D118
2	2D2	2D26
4	2D9	2D33

V3 COMPACT SPDT/DPDT SWITCH MODULES



V3 switch modules have screw terminals with lockwashers. Quick-connect terminals (not shown) are also available. When used with short-flange operator indicators, add spacing barriers to prevent interference.

ELECTRICAL RATING

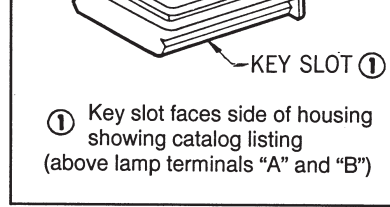
30 VDC: 10 amps ind.* sea level, 6 amps ind.,* 50,000 ft. Motor load, 6 amps.** UL and CSA rating for basic switch: 10 amps, 1/3 Hp, 125 or 250 VAC; 1/2 amp, 125 VDC; 1/4 amp, 250 VDC.

* Inductive currents in accordance with AN3179.
 ** Motor load rating based on starting current.

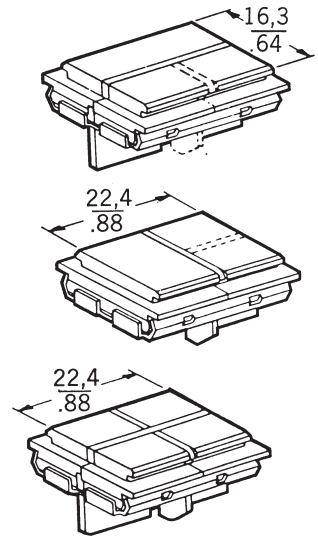
V3 SWITCH MODULE ORDER GUIDE

No. of SPDT Circuits	Momentary Action
1	2D70
2	2D72

Green	2A85
White	2A70
Amber	2A114



Dotted lines show 3-section base configuration



Pushbuttons

Silicone rubber baffles prevent light spillage from one section to another. Screen caps and legend inserts are transparent colorless. Bases are translucent colored.

For more information on 2, 3, and 4-section display screens, contact the MICRO SWITCH Application Center.

SERIES 2A, 2L, and 2W LEGEND ORDER SHEET/PRODUCT SPECIFICATION

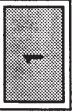
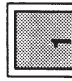
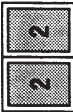
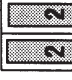



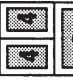
ACCOUNT NO. 126-284

Pg of

1. Complete ORDER SHEET for EACH NEW or REPEAT ORDER.

2. For each different legend, fill in a Diagram below as follows:

- a. Determine proper orientation of the legend (HORIZONTAL or VERTICAL).
- b. For SPLIT SCREEN ORDER, draw line(s) to show where the split occurs and indicate BASE COLOR for each section.
- c. PRINT or TYPE the required legend in the diagrams provided.
- d. Fill in QUANTITY and FIGURE NO. in the columns to the right.
- e. Indicate keyed corner on all 2L listings.

Form No Shaded Area	HORIZONTAL				VERTICAL			
	1	2	3	4	1	2	3	4
TYPE SIZE	MAX. CHAR. /LINE /AREA	MAX. CHAR. /LINE /AREA	MAX. CHAR. /LINE /AREA	MAX. CHAR. /LINE /AREA	MAX. CHAR. /LINE /AREA	MAX. CHAR. /LINE /AREA	MAX. CHAR. /LINE /AREA	MAX. CHAR. /LINE /AREA
5/64	12 5 6 5	12 2 6 2	8 6 2 8	6 4 6 4	6 8 3 4	6 8 3 4	3 2 2 2	3 2
7/64	9 4 4 4	9 2 4 2	6 5 3 6	5 3 5 3	5 6 2 3	5 6 2 3	2 2 2 2	2 2
9/64	7 3 3 3	7 1 3 1	5 4 2 5	4 2 4 2	4 5 2 2	4 5 2 2	1 1 1 1	1 1
13/64	5 2 2 2	5 1 2 1	3 3 1 3	3 1 3 1	3 3 1 3	3 3 1 3	2 2 1 1	2 2
5/16	3 1 1 1	3 1 1 1	2 2 1 2	2 1 2 1	2 2 1 2	2 2 1 2	1 1 1 1	1 1
LEGEND AREAS	 <p style="text-align: center;">Full Face</p>				 <p style="text-align: center;">Full Face</p>			
	 <p style="text-align: center;">Vertical Two Way Split</p>				 <p style="text-align: center;">Vertical Two Way Split</p>			
	 <p style="text-align: center;">Horizontal Two Way Split</p>				 <p style="text-align: center;">Horizontal Two Way Split</p>			
	 <p style="text-align: center;">Four Way Split</p>				 <p style="text-align: center;">Four Way Split</p>			

D FIG. 1 C



D FIG. 2 C



D FIG. 3 C



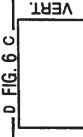
D FIG. 4 C



D FIG. 5 C



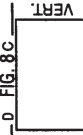
HORZ.



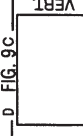
D FIG. 7 C



D FIG. 8 C



D FIG. 9 C



D FIG. 10 C



HORZ.

HORZ.

HORZ.

HORZ.

HORZ.

HORZ.

HORZ.

HORZ.

guarantee to provide lamps from specific manufacturers. Any technical or quality questions regarding such lamps should be directed to the lamp manufacturer.

COLOR FILTERS FOR PROJECTED COLOR

Projected color is achieved by using white buttons and color filters over clear lamps. When lamps are lighted, white button takes on color projected by the filters.

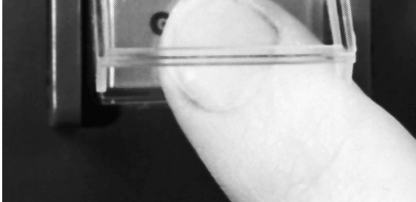
Filters used with type 2C200 and 2F200 housings (no-tool relamping) slip over lamp sockets in lampholder.

FILTER ORDER GUIDE

Filter Style	Red	Green	Amber	White*
For Type 2C200 and 2F200 Housings	2G12	2G14	2G16	2G17

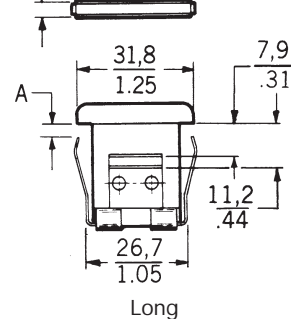
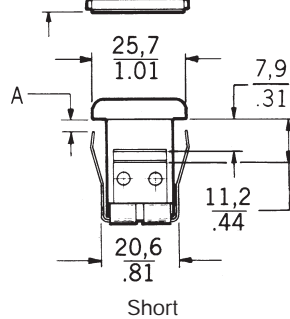
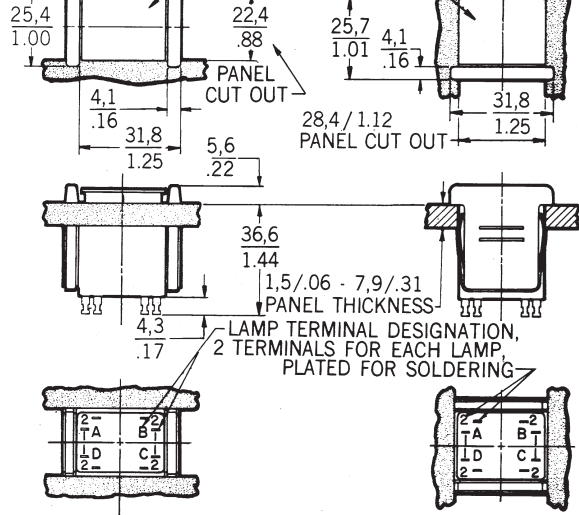
* Has blue tint to compensate for high yellow content of incandescent lamps at low voltages.

Pushbuttons



Guard requires a "lift-to-push" response to operate switch normally.

Order Catalog Listing **2H20**



Key: $\frac{0,0}{0.00} = \text{mm}$
 $\frac{0.00}{0.00} = \text{inches}$.

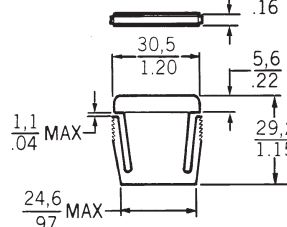
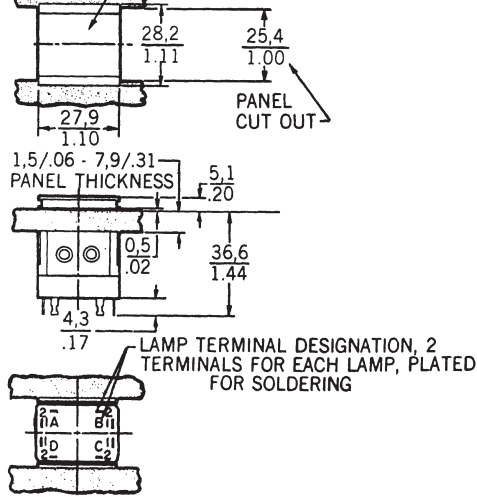
A	Panel Thickness
1,5/.06	1,5-4,81/.06-.19
4,6/.18	4,8-7,9/.19-.31

Pushbuttons

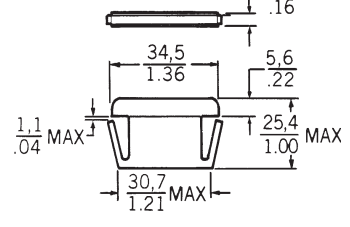
Length Of Panel Cutout*

Type of Indicator or Operator-Indicator		Number of Units						
		1	2	3	4	5	6	7
Short Barrier	mm	36,09	68,00	99,87	131,72	163,60	195,48	227,36
	in.	1.421	2.677	3.932	5.186	6.441	7.696	8.951
Long Barrier	mm	30,00	55,78	81,58	106,34	133,12	159,90	184,68
	in.	1.181	2.196	3.212	4.226	5.241	6.256	7.271

*Nominal dimensions, $\pm 0,25 \text{ mm}/0.10 \text{ in.}$ (In 5% of the cases, the cutout will be undersized for the build-up of assembled units and will require enlargement.



FOR 1,5/.06 - 7,9/.31
PANEL THICKNESS
Short



FOR 1,5/.06 - 7,9/.31
PANEL THICKNESS
Long

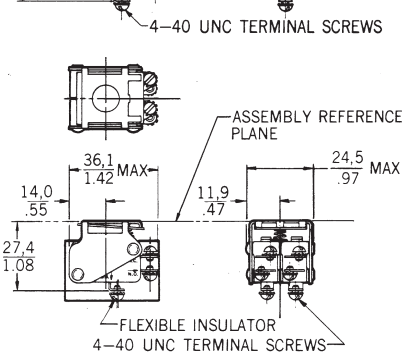
Key: $\frac{0,0}{0.00} = \text{mm}$
 $\frac{0,00}{0.00} = \text{inches.}$

Length Of Panel Cutout*

Add 4,19 mm/.165 in. to length for each optional spacing barrier used.

Type of Indicator or Operator-Indicator		Number of Units						
		1	2	3	4	5	6	7
Long Flange	mm	27,94	55,75	83,57	111,36	139,17	166,98	194,77
	in.	1.1	2.195	3.290	4.384	5.479	6.574	7.668

*Nominal dimensions, $\pm 0,25$ mm/0.10 in. (In 5% of the cases, the cutout will be undersized for the build-up of assembled units and will require enlargement.



Pushbuttons

X-ON Electronics

Largest Supplier of Electrical and Electronic Components

Click to view similar products for [Pushbutton Switches](#) category:

Click to view products by [Honeywell](#) manufacturer:

Other Similar products are found below :

[8940K2012](#) [LW1L-M1C10V-A](#) [LW1L-M1C70-A](#) [LW2L-A1C20M-GD](#) [LW2L-M1C20M-A](#) [60324L](#) [M22-D-R-GB0/K11](#) [M7E-HRN2](#)
[67021K512](#) [67081K512X](#) [701PB580](#) [7190K101](#) [7199K101](#) [810K12910](#) [810KSV30B](#) [MML21EA2ADK](#) [MML21KA3ABK](#)
[MML23KA3AC05K-001](#) [MML23KW3AA01W](#) [8418K2](#) [8442K3](#) [8450K1](#) [860K11911T01A](#) [861901](#) [861K11911T01A07](#)
[861K13810T00A14](#) [861K13911](#) [8646AB6X718UL](#) [8646ABUL](#) [9001KXRK](#) [907AYY100](#) [PMHD155A1](#) [95-313.000](#)
[9533CD4+U574+U4922](#) [95-414.000](#) [99-450.837](#) [99-453.837](#) [PV3H2B0NN-341](#) [1203MRA](#) [A22NZBGANGA](#) [A22NZBMMNGA](#)
[A22NZBNANGA](#) [A22NZMPATRA](#) [A2PMA1X03EC56](#) [A3A-5123-02](#) [A3A-7140](#) [A3A-7310](#) [A3A-7340](#) [A3U-TMW-A2C-5M](#) [A595](#)