

Honeywell

Interactive Catalog Replaces Catalog Pages

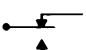
Honeywell Sensing and Control has replaced the PDF product catalog with the new **Interactive Catalog**. The **Interactive Catalog** is a power search tool that makes it easier to find product information. It includes more installation, application, and technical information than ever before.



**Click this icon to try the new
Interactive Catalog.**

Sensing and Control
Honeywell Inc.
11 West Spring Street
Freeport, Illinois 61032

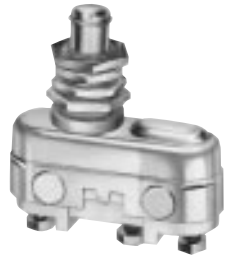
ELECTRICAL CHARACTERISTICS

Circuitry	Electrical Data
Single-Pole Double-Throw 	UL Ratings: 3 amps, 1/10 HP, 125 vac. 3 amps, 1/6 HP, 250 vac.

Characteristics: O.F. — Operating Force; R.F. — Release Force; P.T. — Pretravel; O.T. — Overtravel; O.P. — Operating Position.

ORDER GUIDE

Catalog Listing	Description	Electrical Rating	O.F. newtons ounces	R.F. min. newtons ounces	P.T. max. mm inches	O.T. min. mm inches	O.P. mm inches
1HT1	Straight plunger panel mount	3 Amps	2,78-5,56 10-20	1,67 6	1,65 .065	4,78 .188	23,7 .935 approx.



Dim. Dwg. Fig. 1

3HT1	Roller plunger panel mount	3 Amps	8,34 30 max.	1,67 6	1,65 .065	4,78 .188	35,9 1,413 approx.
------	----------------------------	--------	-----------------	-----------	--------------	--------------	--------------------------



Dim. Dwg. Fig. 2

2HT1	Pin plunger side mount	3 Amps	2,78-5,56 10-20	1,67 6	1,27 .050	0,25 .010	16,8 .66 approx.
------	------------------------	--------	--------------------	-----------	--------------	--------------	------------------------



Dim. Dwg. Fig. 3

Sealed/High Temperature

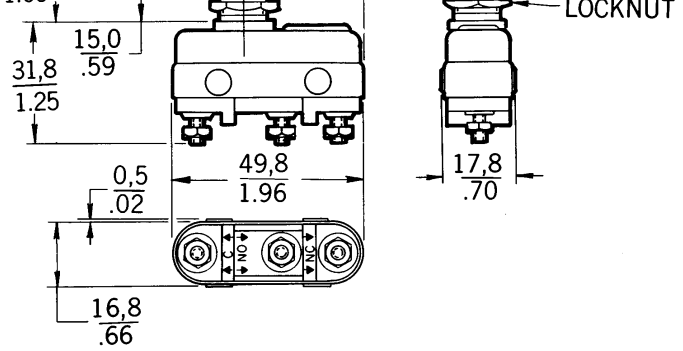


Fig. 1

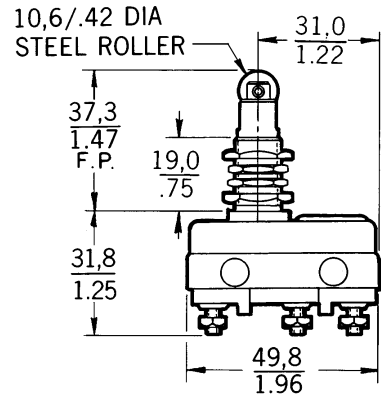
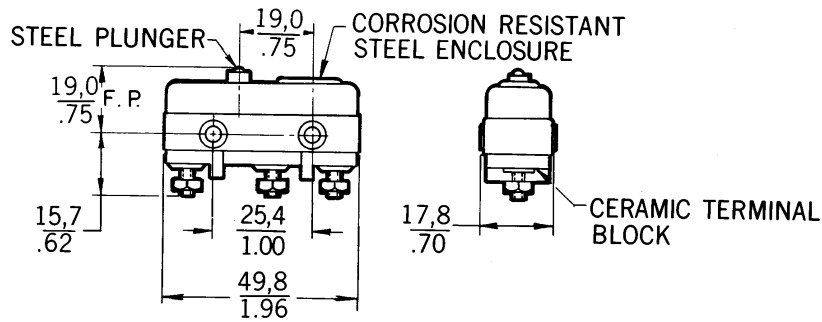


Fig. 2



MOUNTING HOLE WILL ACCEPT PINS OR SCREWS OF 3,6/.14 DIA.

Fig. 3

Mounting holes will accept pins or screws of .139" (3,53 mm) dia.

Key: $\frac{0,0}{0.00} = \frac{\text{mm}}{\text{inches}}$

X-ON Electronics

Largest Supplier of Electrical and Electronic Components

Click to view similar products for [Basic / Snap Action Switches](#) category:

Click to view products by [Honeywell](#) manufacturer:

Other Similar products are found below :

[5SM901-S12](#) [5SM9-S12N195](#) [01.098.1358.1](#) [602EN532](#) [602EN535-RB](#) [602HE5-RB1](#) [604HE162](#) [604HE223-6B](#) [624HE17-RB](#) [6HM82](#)
[6HM89](#) [6SE1](#) [6SX1-H58](#) [70500216](#) [70599106](#) [MBD5B1](#) [MBH2731](#) [73-316-0012](#) [EXD-AR20](#) [79211923](#) [79218589](#) [7AS12](#)
[MIL30126AB6BBMD4A12XAU](#) [ML-1155](#) [ML-1376](#) [831010C3.0](#) [831090C2.EL](#) [83131904](#) [84212012](#) [8AS239](#) [8HM73-3](#) [8SX26-H33](#)
[914CE1-6G](#) [PL-100](#) [11SM1077-H4](#) [11SM1077-H58](#) [11SM1-TN107](#) [11SM405](#) [11SM8423-H2](#) [11SX37-T](#) [11SX48-H58](#) [11SM2442-T](#)
[11SM76-T](#) [11SM77-H58](#) [11SM77-T](#) [11SM863-T](#) [11SM866](#) [A7CN-1M-1-LEFT](#) [A831700C7.0](#) [121EN187-R](#)