

# MICRO SWITCH

A DIVISION OF MILWAUKEE-HONEYWELL REGULATOR COMPANY  
FREEPORT, ILLINOIS

FED. MFR. CODE 91929

## SWITCH-ENCLOSED

2ML1

5

(M) 2ML1  
ISSUE 5

REPLACES

RELEASE NO.

NUMBER  
MI12  
MI12  
MI12

CHECK

IONS

8520

CT. 56

11247

L.B. '58

12789

AY '58

26064

3 S  
JUNE 69

38549

R  
PR 77

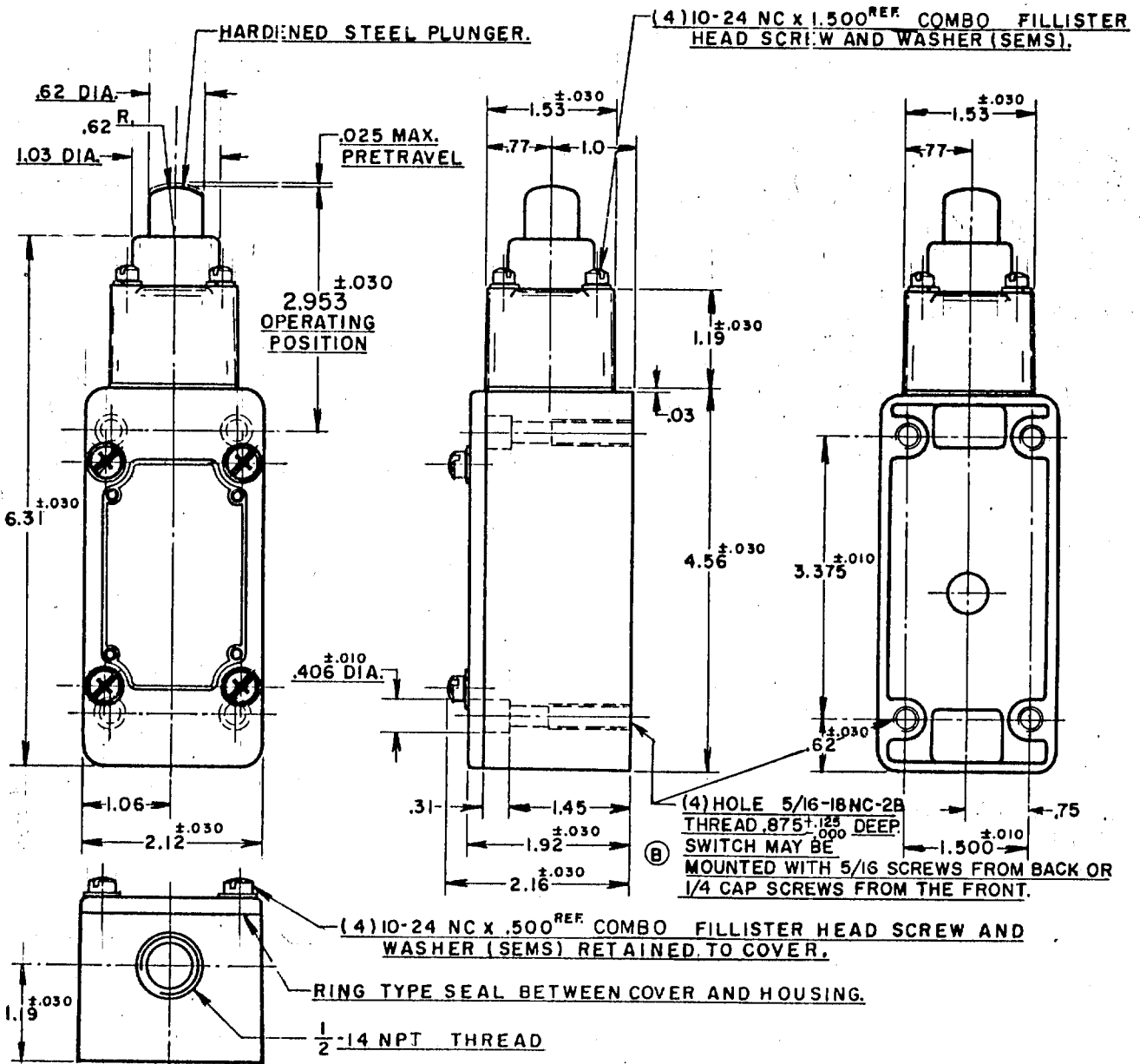
35051-B

AP  
C 84

4287

W  
PR 93

CNT 19 OCT 56  
CHECK J.U.M. 13 OCT 56  
CHECK G.C.H. 24 OCT 56  
CHECK R.L.Z. 12 OCT 56



THIS DRAWING COVERS A PROPRIETARY ITEM AND IS THE PROPERTY OF MICRO SWITCH, A DIVISION OF HONEYWELL. THIS DRAWING IS NOT TO BE COPIED OR USED WITHOUT THE APPROVAL OF MICRO SWITCH.

CHARACTERISTICS (TENTATIVE)	ELECTRICAL DATA		SCALE 1/2 TO 1
OPERATING FORCE ——— 6 LBS. APPROX.	CONTACT ARRANGEMENT S. P. D. T.	BREAK DISTANCE	DO NOT SCALE PRINT
RELEASE FORCE ——— 4 LBS. APPROX.	20A-120,240,480 OR 600 VAC; 3/4 HP-120 VAC; 1 1/2 H.P.-240 VAC; 1/2 A-115 VDC; 1/4 A-230 VDC PILOT DUTY RATING: 600 VAC MAX.		UNLESS OTHERWISE SPECIFIED DIMENSIONS ARE IN INCHES
DIFFERENTIAL TRAVEL ——— .005 MAX.			TOLERANCES ARE: ONE PLACE (.0) ±.030 TWO PLACE (.00) ±.015 THREE PLACE (.000) ±.008 ANGLES ±
OVERTRAVEL ——— .500 MIN.			
SWITCH-BASIC REPLACEMENT ——— IMKI	(UL) (SF) (C)		WEIGHT

## X-ON Electronics

Largest Supplier of Electrical and Electronic Components

*Click to view similar products for [Limit Switches](#) category:*

*Click to view products by [Honeywell](#) manufacturer:*

Other Similar products are found below :

[5ML1-E1](#) [5ML31](#) [LZG1](#) [LZL1-6C](#) [622EN114-R](#) [622EN18-6](#) [622EN224-6B](#) [622EN230](#) [622EN237-R](#) [622EN69-3](#) [622EN85-RB](#) [MA-10019](#)  
[6PA109](#) [7LS51](#) [83547001](#) [83725002](#) [83830001](#) [83840701](#) [83841001](#) [83881140](#) [8AS42](#) [8LS10](#) [8LS125-4PG](#) [8LS152-4PGN20](#) [914CE16-](#)  
[3A](#) [914CE3-3L1](#) [915PA10](#) [91MCE16-P2O](#) [924CE16-Y3](#) [924CE1-S6](#) [924CE1-T25A](#) [924CE1-T3](#) [924CE1-T9A](#) [924CE2-T9](#) [924CE31-Y20-](#)  
[X5](#) [924CE31-Y3L1](#) [GL-10054](#) [GLAB26J2B](#) [GLDB03C-6](#) [GLDC05C](#) [GLZ324](#) [PS21R-NT11N7-YK0](#) [H3141CAKAA](#) [RDI-G-L5B](#) [DD-](#)  
[10000](#) [DT-2R3-A7](#) [14CE16-3N28](#) [14CE18-N15](#) [151ML3-E1](#) [E3102BAAAA](#)