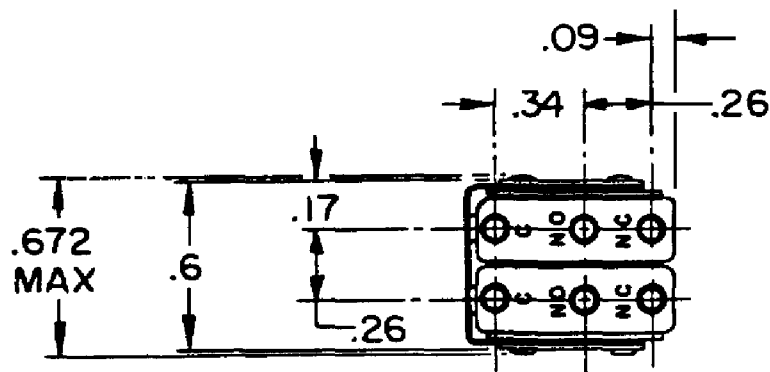
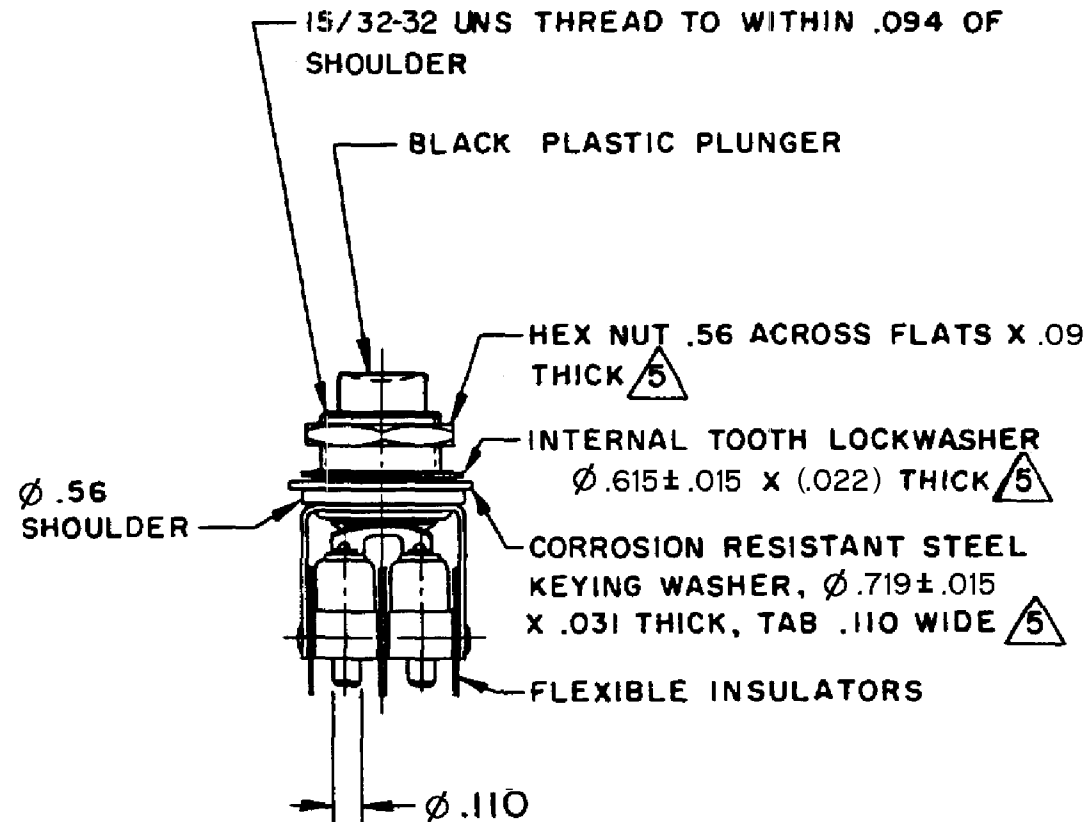
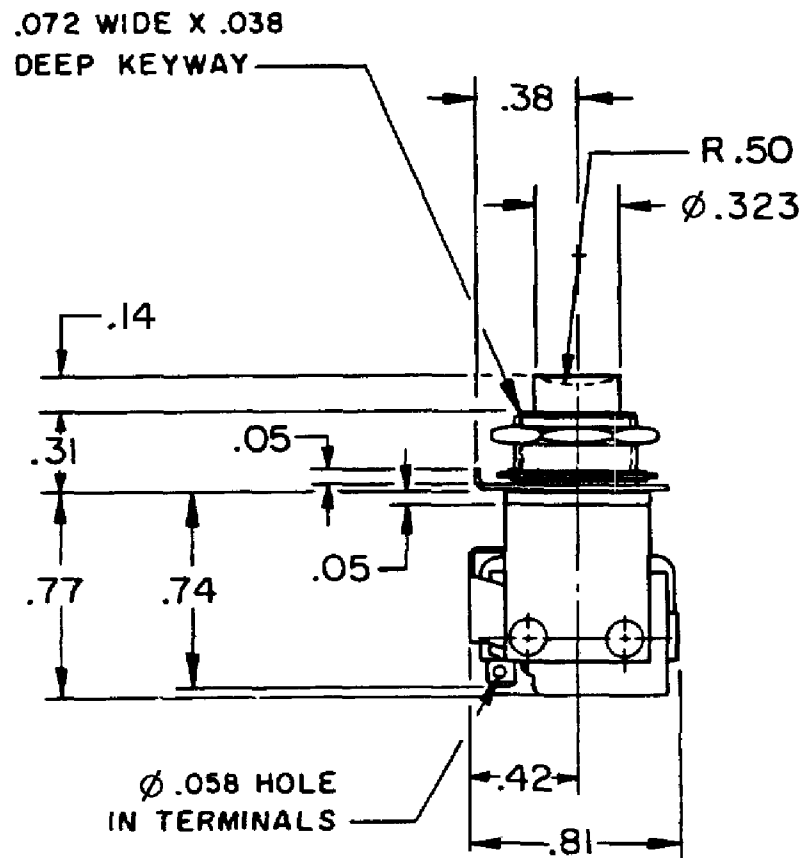


HONEYWELL
PART NUMBER
2PB1000

REV	DOCUMENT	CHANGED BY	CHECK
C	0066505	SSK 18JUN10	CMH

CHARACTERISTICS:
OPERATING FORCE: 1 1/2 LB APPROX

ELECTRICAL DATA:
CONTACT ARRANGEMENT: S P D T (2)
30 VOLTS DC RATING
INDUCTIVE --- SEA LEVEL --- 0.5 AMP
50,000 FT --- 0.5 AMP
RESISTIVE --- SEA LEVEL --- 1.0 AMP
50,000 FT --- 1.0 AMP
MAXIMUM INRUSH ----- 2.0 AMP

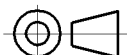


NOTES

- 1 - UNIT INCLUDES CAT. LIST. "12SM" TYPE BASIC SWITCH (2)
- 2 - TERMINALS ARE PLATED FOR SOLDERING
- 3 - BASIC SWITCHES OPERATE WITHIN .008 OF EACH OTHER (PUSHBUTTON PLUNGER TRAVEL)
- 4 - UNIT WILL PERFORM SATISFACTORILY IN TEMPERATURES TO MINUS 65°F
- 5 MOUNTING HARDWARE FURNISHED UNASSEMBLED

DESIGN UNITS: INCH			
TOLERANCES UNLESS NOTED:			
NO PLACE	X	±	-
ONE PLACE	.X	±	0.030
TWO PLACE	.XX	±	0.015
THREE PLACE	.XXX	±	0.005
FOUR PLACE	.XXXX	±	-
ANGLES		±	-

THIRD ANGLE PROJECTION



RAW MATERIAL : COMMERCIAL STANDARD

DRAWN	SPK	20APR05
CHECK	AK	20APR05
THIS DRAWING COVERS A PROPRIETARY ITEM AND IS THE PROPERTY OF HONEYWELL. THIS DRAWING IS NOT TO BE COPIED OR USED WITHOUT THE PERMISSION OF HONEYWELL.		
INTERPRET PER ASME Y14.5M-1994 OTHER HONEYWELL ENGINEERING STANDARDS MAY APPLY		

Honeywell

TITLE
ASSEMBLY, PUSH BUTTON SWITCH

SIZE	TYPE	CAGE CODE	DRAWING NAME	REV
B	I	91929	2PB1000	C
SCALE NONE		SHEET 1 OF 1		

X-ON Electronics

Largest Supplier of Electrical and Electronic Components

Click to view similar products for [Pushbutton Switches](#) category:

Click to view products by [Honeywell](#) manufacturer:

Other Similar products are found below :

[8940K2012](#) [LW1L-M1C10V-A](#) [LW1L-M1C70-A](#) [LW2L-A1C20M-GD](#) [LW2L-M1C20M-A](#) [60324L](#) [M22-D-R-GB0/K11](#) [M7E-HRN2](#)
[67021K512](#) [67081K512X](#) [701PB580](#) [7190K101](#) [7199K101](#) [810K12910](#) [810KSV30B](#) [MML21EA2ADK](#) [MML21KA3ABK](#)
[MML23KA3AC05K-001](#) [MML23KW3AA01W](#) [8418K2](#) [8442K3](#) [8450K1](#) [860K11911T01A](#) [861901](#) [861K11911T01A07](#)
[861K13810T00A14](#) [861K13911](#) [8646AB6X718UL](#) [8646ABUL](#) [9001KXRK](#) [907AYY100](#) [PMHD155A1](#) [95-313.000](#)
[9533CD4+U574+U4922](#) [95-414.000](#) [99-450.837](#) [99-453.837](#) [PV3H2B0NN-341](#) [1203MRA](#) [A22NZBGANGA](#) [A22NZBMMNGA](#)
[A22NZBNANGA](#) [A22NZMPATRA](#) [A2PMA1X03EC56](#) [A3A-5123-02](#) [A3A-7140](#) [A3A-7310](#) [A3A-7340](#) [A3U-TMW-A2C-5M](#) [A595](#)