

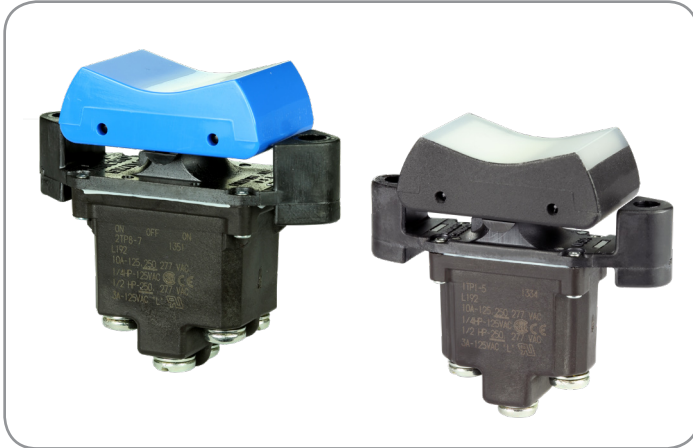
MICRO SWITCH Rocker Switches

TP Series

005438

Issue 1

Datasheet



DESCRIPTION

Honeywell MICRO SWITCH TP rocker switches are designed for flush mount to the panel for a low profile button or above panel for a distinctive button appearance. The buttons are removable and interchangeable and are available in either a transparent plastic (to accept legend inserts), or translucent plastic. Colored opaque buttons are also available for color coding of switch functions, for example, a green button for a "start" or "run" function and a black button for general purpose. The 1-, 2-, or 4-pole rocker switches are furnished with two 6-32 internal locking threads in the rocker cover which will accept 6-32 machine screws for panel mounting. To maximize applications and minimize inventory, the TP rocker switches are readily available without buttons. Ordering the buttons separately permits them to be paired with switches containing the desired circuitry and number of poles.

VALUE TO CUSTOMERS

- 2- and 3-position maintained and momentary rocker switch actions
- Up to four poles per switch to provide control, signaling, and redundant circuits as required

FEATURES

- 1, 2, or 4 poles
- 2- or 3-actuator positions with maintained or momentary action
- Standard silver alloy contacts for power-duty switching; gold-plated contacts for low energy/processor-based circuits (milliamps)
- Above panel or flush panel mounting
- Mounts to panels with two machine screws to maintain panel integrity
- Step-base design and barriers between poles minimizes possibility of electrical bridging
- Combination head terminal screws facilitate leadwire connections
- Rugged design
- Variety of opaque button colors or a transparent button that accepts legend inserts
- Wide temperature range: -54 °C to 71 °C [-65 °F to 160 °F]
- UL, CSA, and CE certified for global applications

POTENTIAL APPLICATIONS

- Flight decks for commercial and business jets
- Control panels for industrial machinery and equipment
- Operator interface controls for marine vehicles
- Main and auxiliary control panels for road construction equipment
- Agriculture equipment

PORTFOLIO

Honeywell offers two Series of MICRO SWITCH rocker switches: [TP Series](#) and [AML Series](#).

MICRO SWITCH Rocker Switches, TP Series

Table 1. Specifications

Characteristic	Parameter
Description	commercial grade rocker switches
Housing material	glass-filled thermoplastic nylon 6/6
Sealing	switch chamber sealed from environment
Operating temperature	-54 °C to 71 °C [-65 °F to 160 °F]
Mounting	two 6-32 internal threads with lead-in and thread locking feature on 46 mm [1.81 in] centers panel cutout 38,4 mm x 23,9 mm [1.51 in x 0.94 in]
Switch/button action	2- or 3-position, maintained or momentary action
Circuitry	SPST, SPDT, DPST, DPDT, 4PST, 4PDT
Termination	screw (6-32 threads), quick-connect (6,35 mm [0.25 in]), and IWTS
Contact material	silver alloy or gold plated
Electrical rating (amps)	up to 20 A resistive (see tables below)
Approvals/certifications	CE, CSA, UL

Table 2. UL and CSA Electrical Ratings

Rating Code*	Electrical Rating
L192 ¹	10 A, 125, 250, 277 Vac; 1/4 HP, 125 Vac; 1/2 HP, 250, 277 Vac; 3 A, 125 Vac Lamp (Incandescent)
L191 ²	15 A, 125, 250, 277 Vac; 1/2 HP, 125 Vac; 1 Hp, 250, 277 Vac; 5 A, 125 Vac Lamp (Incandescent)

* Reference order guides on pages 3 and 4.

¹ Any rocker switch with momentary button action.

² Rocker switch with maintained button action only.

Table 3. Electrical Ratings (Amps)

Electrical Rating Code	28 Vdc			115 Vdc	250 Vdc	115 Vac, 60 & 400 Hz			230 Vac
	Ind.	Res.	Lamp	Res.	Res.	Ind.	Res.	Lamp	Res.
1	15	20	5	0.75	0.5	10	15	3	6
2	10	15	4	0.75	0.5	7	15	2	6
3	15	20	7	0.75	0.5	15	15	4	6
4	10	18	5	0.75	0.5	8	11	2	6
5	12	20	5	0.75	0.5	15	15	4	6
6	10	18	4	0.75	0.5	8	11	2	6

CE Electrical Ratings

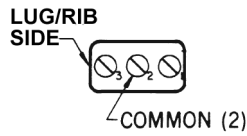
10 (2) 250 Vac; 10 A resistive, 2 A inductive

MICRO SWITCH Rocker Switches, TP Series

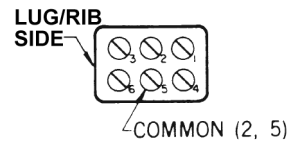
TERMINAL CIRCUIT IDENTIFICATION

Terminal identifications are referred to in the order guides to indicate which circuits are made in each rocker position (i.e., 1-2 refers to circuit closure through terminals 1 and 2).

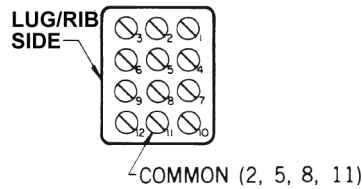
One Pole



Two Pole



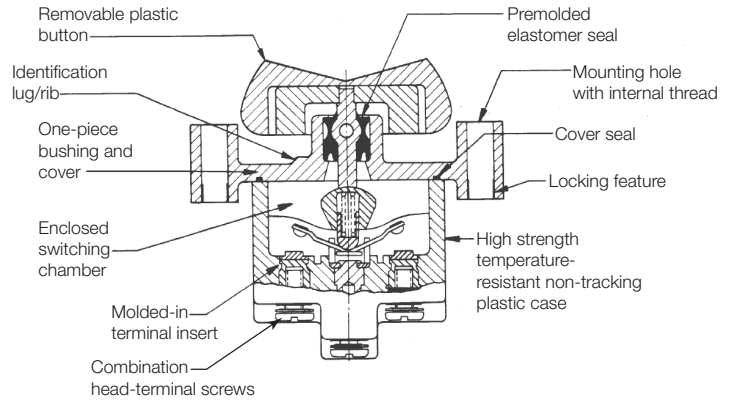
Four Pole



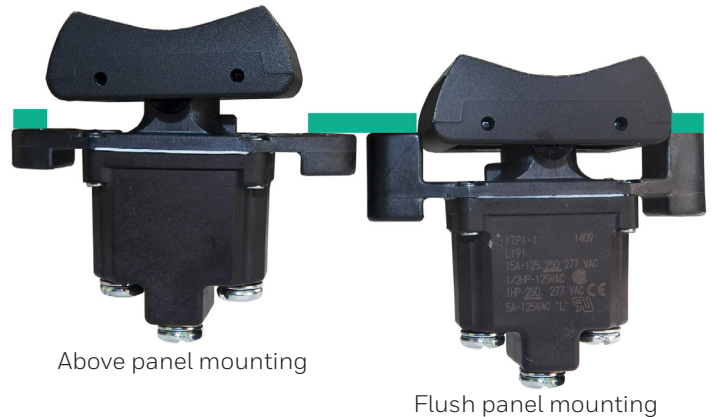
CONSTRUCTION

Above panel mounting gives a distinct button appearance. Flush panel mounting presents a low button profile.

ROCKER INTERNAL COMPONENTS






ABOVE VS. FLUSH PANEL MOUNT COMPARISON



TP SERIES TWO-POSITION ORDER GUIDE

Table 4. Two-Position TP Series

	Number of Poles	Circuits Made with Rocker Actuated at:		Catalog Listing without Button ¹		Catalog Listing with Translucent White Button and Black Trim ³		Electrical Rating Code ²	UL & CSA Electrical Code ²
		Identifying Lug/Rib	Opposite Identifying Lug/Rib	Above Panel	Flush Panel	Above Panel	Flush Panel		
	1	Off	2-3	1TP7-2	1TP8-2	-	1TP1-2	1	L191
	1	1-2*	Off	-	1TP8-6	-	1TP1-6	2	L192
	1	1-2	2-3	-	1TP8-3	1TP16-3	1TP1-3	1	L191
	1	1-2*	2-3	-	1TP8-8	-	-	2	L192
	2	Off	2-3, 5-6	2TP7-2	2TP8-2	-	2TP1-2	3	L191
	2	1-2, 4-5	2-3, 5-6	2TP7-3	2TP8-3	2TP16-3	2TP1-3	3	L191
	2	1-2, 4-5*	2-3, 5-6	2TP7-8	2TP8-8	-	2TP1-8	4	L192
	4	1-2, 4-5, 7-8, 10-11	2-3, 5-6, 8-9, 11-12	-	4TP8-3	-	4TP1-3	5	L191

* These positions are momentary. All others are maintained.

¹ Order buttons from page 5, Table 8.




² Refer to page 2 for electrical ratings.

³ Includes 12PA3 button.

MICRO SWITCH Rocker Switches, TP Series

TP SERIES THREE-POSITION ORDER GUIDE

Table 5. Three-Position TP Series

	Number of Poles	Circuits Made with Rocker Actuated at:			Catalog Listing without Button ¹		Catalog Listing with Translucent White Button and Black Trim ³		Electrical Rating Code ²	UL & CSA Electrical Code ²
		Identifying Lug/Rib	Center	Opposite Identifying Lug/Rib	Above Panel	Flush Panel	Above Panel	Flush Panel		
	1	1-2	Off	2-3	1TP7-1	1TP8-1	-	1TP1-1	1	L191
	1	1-2*	Off	2-3	1TP7-5	-	-	1TP1-5	2	L192
	1	1-2*	Off	2-3*	1TP7-7	1TP8-7	1TP16-7	1TP1-7	2	L192
 (without button)	2	1-2, 4-5	Off	2-3, 5-6	2TP7-1	2TP8-1	2TP16-1	2TP1-1	3	L191
	2	1-2, 4-5*	Off	2-3, 5-6	-	2TP8-5	2TP16-5	2TP1-5	4	L192
	2	1-2, 4-5*	Off	2-3, 5-6*	2TP7-7	2TP8-7	2TP16-7	2TP1-7	4	L192
	2	1-2, 4-5	1-2, 5-6	2-3, 5-6	-	2TP8-10	2TP16-10	2TP1-10	3	L191
	2	1-2, 4-5*	1-2, 5-6	2-3, 5-6	-	2TP8-50	2TP16-50	2TP1-50	4	L192
	2	1-2, 4-5*	1-2, 5-6	2-3, 5-6*	2TP7-70	2TP8-70	2TP16-70	2TP1-70	4	L192
 (without button)	4	1-2, 4-5, 7-8, 10-11*	Off	2-3, 5-6, 8-9, 11-12*	-	-	-	4TP1-7	6	L192
	4	1-2, 4-5, 7-8, 10-11	2-3, 4-5	2-3, 5-6, 8-9, 11-12	-	4TP8-10	-	4TP1-10	5	L191
	4	1-2, 4-5, 7-8, 10-11	2-3, 4-5, 7-8, 11-12	2-3, 5-6, 8-9, 11-12	-	4TP8-12	-	-	5	L191

* These positions are momentary. All others are maintained.

¹ Order buttons from page 5, Table 8.

² Refer to page 2 for electrical ratings.

³ Includes 12PA3 button.

MICRO SWITCH Rocker Switches, TP Series

TP SERIES FOUR-POLE, THREE-POSITION SPECIAL CIRCUITRY

Catalog listings with -10, -12, and -70 suffixes shown in the order guide (page 4) have special “On-On-On” circuitry as presented in the “three-position order guide”. The catalog listings with the suffix type circuits identified can be installed to provide a different circuit “on” in each of the three different rocker positions.

Reference the following example for the 4TP8-10 three-position rocker switch.

Table 6. Circuits Made with Rocker Actuated at:

Identifying Rib Position	Center Position	Opposite Identifying Rib Position
1-2, 4-5, 7-8, 10-11	2-3, 4-5	2-3, 5-6, 8-9, 11-12

Table 7. Suggested Connections for Circuit in Each of Three Different Positions

Switch Terminals	Identifying Rib Position	Center Position	Opposite Identifying Rib Position
Circuit 10-11	1	0	0
Circuit 2-3 wired in series with 4-5*	0	1	0
Circuit 8-9	0	0	1

1 = Circuit closed; 0 = Circuit open

* Requires user to install a jumper between terminal #2 and terminal #5. Input and output terminals are #3 and #4.

TP SERIES BUTTON ORDER GUIDE

Table 8. Button Colors

Catalog Listing	Color
12PA6	Translucent (white)
12PA3	Translucent (white) with black trim
12PA4	Transparent (colorless)
12PA5-W	White**
12PA5-Y	Yellow**
12PA5-BK	Black**
12PA5-G	Green**
12PA5-R	Red**
12PA5-BL	Blue**

** Opaque color

BUTTON OPTIONS

Buttons are removable and interchangeable. They measure 22,1 mm x 37,1 mm [0.87 in x 1.46 in]. **Transparent** (colorless plastic) buttons accept under-the-surface legend inserts for station and function identification. **Legend inserts are not furnished.** Legend inserts can be furnished by a local supplier. **Translucent** (white plastic) buttons have a clear appearance with a white internal coating. **Colored** (opaque plastic) buttons are suitable for color coding switch functions.

ORDERING SWITCHES WITH TRANSPARENT OR TRANSLUCENT BUTTONS

To order switches with a translucent or transparent button, convert the catalog listings per the following examples.

1. To order a switch with a translucent button (without the black trim) for above panel mounting, substitute **TP216** for **TP16**. For example, a **1TP16-1** catalog listing would be converted to a **1TP216-1** catalog listing which includes a translucent button with above panel mounting.
2. To order a switch with a translucent button (without the black trim) for flush panel mounting, substitute **TP201** for **TP1**. For example, a **1TP1-1** catalog listing would be converted to a **1TP201-1** catalog listing which includes a translucent button with flush panel mounting.
3. To order a switch with a transparent button for above panel mounting, substitute **TP4** for **TP16**. For example, a **1TP16-1** catalog listing would be converted to a **1TP4-1** catalog listing which includes a transparent button with above panel mounting.
4. To order a switch with a transparent button for flush panel mounting, substitute **TP12** for **TP1**. For example, a **1TP1-1** catalog listing would be converted to a **1TP12-1** catalog listing which includes a transparent button with flush panel mounting.

MICRO SWITCH Rocker Switches, TP Series

MICRO SWITCH TP SERIES DIMENSIONS

Note: Various button styles shown

Figure 1. TP Series: Single pole, flush panel mounting

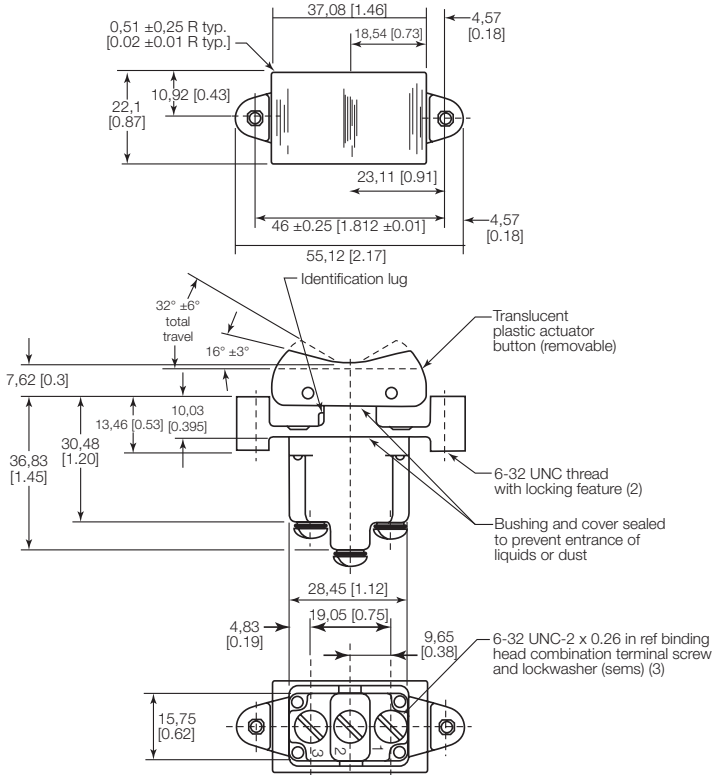


Figure 2. TP Series: Single pole, above panel mounting

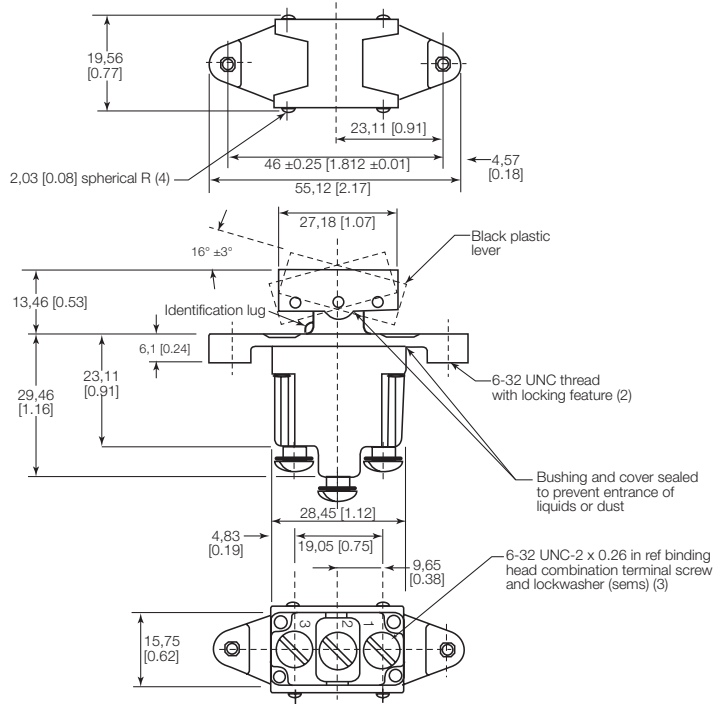


Figure 3. TP Series: Double pole, flush panel mounting

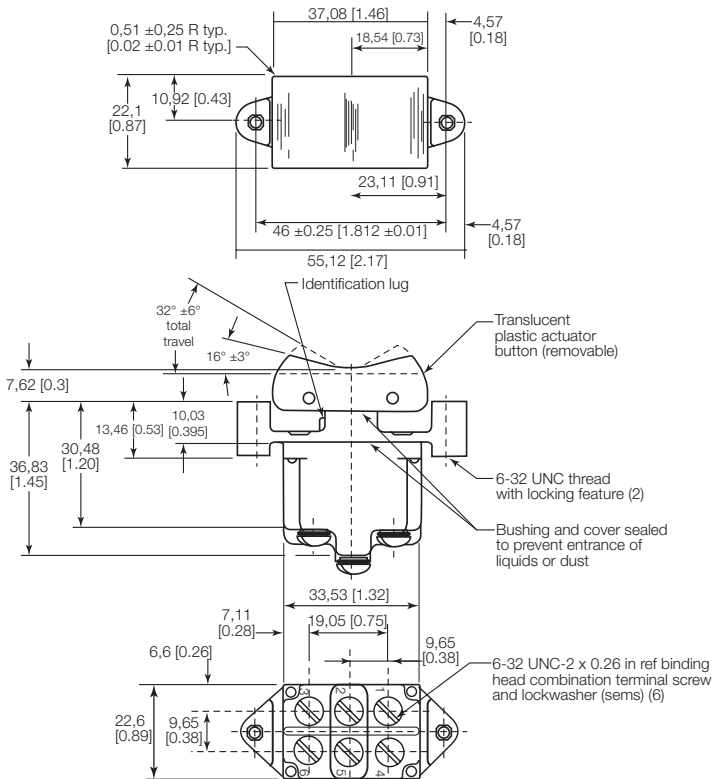
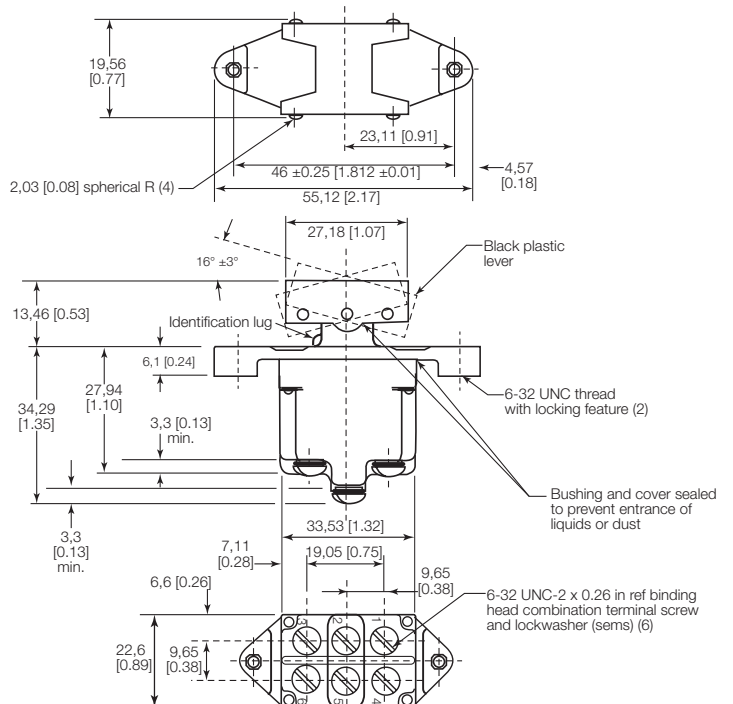


Figure 4. TP Series: Double pole, above panel mounting



MICRO SWITCH Rocker Switches, TP Series

MICRO SWITCH TP SERIES DIMENSIONS

Note: Various button styles shown

Figure 5. TP Series: Four pole, flush panel mounting

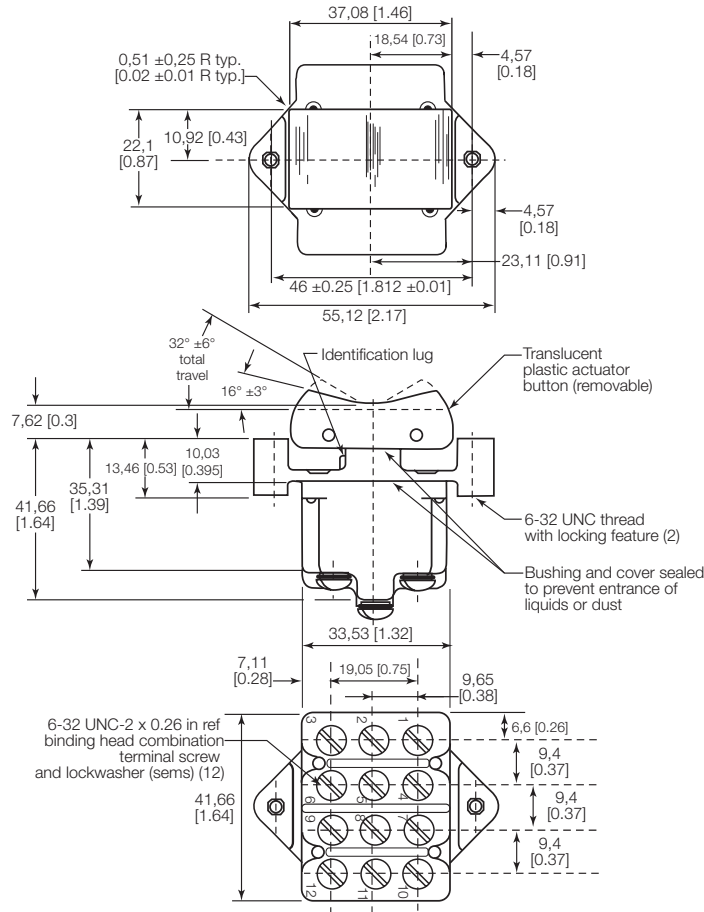


Figure 6. TP Series: Four pole, above panel mounting

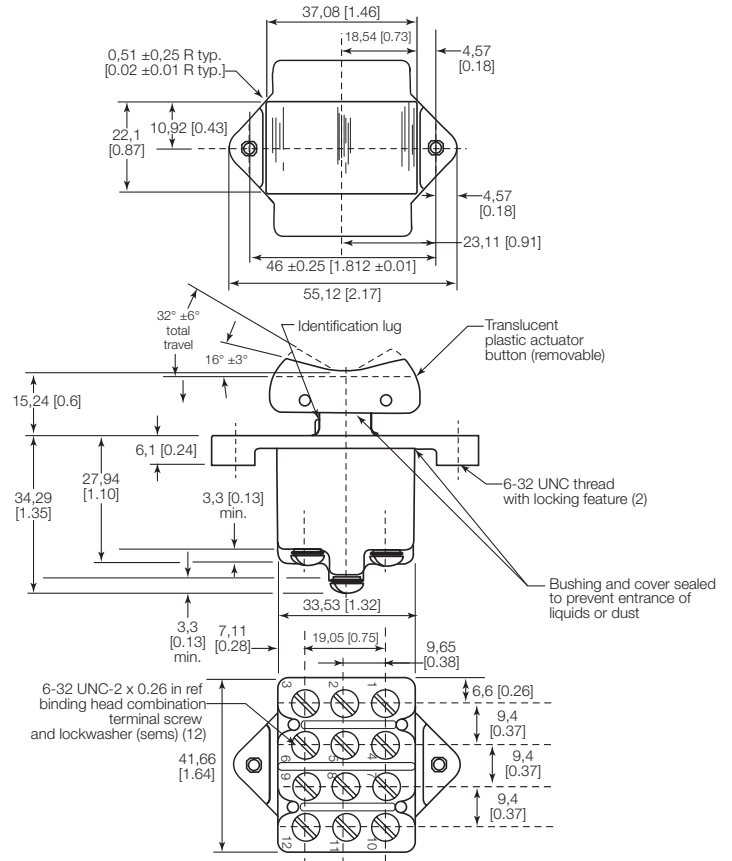
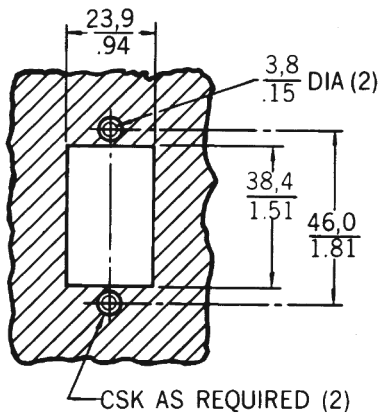


Figure 7. TP Series: Panel cutout



ADDITIONAL MATERIALS

The following associated literature is available on the Honeywell web site at sensing.honeywell.com:

- Product line guide
- Product range guide

WARNING **PERSONAL INJURY**

DO NOT USE these products as safety or emergency stop devices or in any other application where failure of the product could result in personal injury.

Failure to comply with these instructions could result in death or serious injury.

WARNING **MISUSE OF DOCUMENTATION**

- The information presented in this product sheet is for reference only. Do not use this document as a product installation guide.
- Complete installation, operation, and maintenance information is provided in the instructions supplied with each product.

Failure to comply with these instructions could result in death or serious injury.

Warranty/Remedy

Honeywell warrants goods of its manufacture as being free of defective materials and faulty workmanship during the applicable warranty period. Honeywell's standard product warranty applies unless agreed to otherwise by Honeywell in writing; please refer to your order acknowledgment or consult your local sales office for specific warranty details. If warranted goods are returned to Honeywell during the period of coverage, Honeywell will repair or replace, at its option, without charge those items that Honeywell, in its sole discretion, finds defective. **The foregoing is buyer's sole remedy and is in lieu of all other warranties, expressed or implied, including those of merchantability and fitness for a particular purpose. In no event shall Honeywell be liable for consequential, special, or indirect damages.**

While Honeywell may provide application assistance personally, through our literature and the Honeywell web site, it is buyer's sole responsibility to determine the suitability of the product in the application.

Specifications may change without notice. The information we supply is believed to be accurate and reliable as of this writing. However, Honeywell assumes no responsibility for its use.

For more information

Honeywell Sensing and Internet of Things services its customers through a worldwide network of sales offices and distributors. For application assistance, current specifications, pricing or the nearest Authorized Distributor, visit sensing.honeywell.com or call:

Asia Pacific	+65 6355-2828
Europe	+44 (0) 1698 481481
USA/Canada	+1-800-537-6945

Honeywell Sensing and Internet of Things

9680 Old Bailes Road
Fort Mill, SC 29707
www.honeywell.com

X-ON Electronics

Largest Supplier of Electrical and Electronic Components

Click to view similar products for [Rocker Switches](#) category:

Click to view products by [Honeywell](#) manufacturer:

Other Similar products are found below :

[LTILA6E-1S-WH-RC-FN12VXCR1](#) [6-1571986-9](#) [8007K26N324V52](#) [8055K23Z7V](#) [8055K32Z7V](#) [8055K52Z7V](#) [8138K20E6M50](#) [84206L](#)
[84312LX](#) [PREDD5-07F-BB0GW](#) [999-16716-002](#) [999-16716-003](#) [999-16716-004](#) [A101J1V3Q004](#) [A101J2ZQ004](#) [A101J4ZQ004](#)
[A101J51CB0004](#) [A103J1ZQ004](#) [A201J1AQ004](#) [A201J3ZB004](#) [A201J50ZQ004](#) [A203J51ZQ0004](#) [A435S1YZQ](#) [H8500XBBBBL-A](#)
[H8653VBBG2577W](#) [HB130CHNWWNAAC](#) [R13112ABB-602W](#) [1251.0303](#) [AE205J60V3B004](#) [1352.0107](#) [1500G51E](#) [1571099-3](#)
[1571987-4](#) [1571987-5](#) [1571989-7](#) [1571988-5](#) [B123J77V7B2](#) [B226J50W4Q22P](#) [B433J37ZQ22M](#) [160212E](#) [1634200-7](#) [1801.1164](#) [1839.1502](#)
[PANEL-PLUG-VHP-BLACK](#) [PANEL-PLUG-VHP-WT](#) [K1ABBSCADN](#) [KG312A2DXD246X](#) [250011E714](#) [2600HM11E](#) [2600R21E](#)