

**SWITCH - TOGGLE  
FLUSH KEY**

CATALOG LISTING  
**2TP91 SERIES CHART 1**

THIS DRAWING COVERS A PROPRIETARY ITEM AND IS THE PROPERTY OF MICRO SWITCH. A DIVISION OF HONEYWELL. THIS DRAWING IS NOT TO BE COPIED OR USED WITHOUT THE APPROVAL OF MICRO SWITCH

CATALOG LISTING  
**2TP91 SERIES CHART 1**

PAGE 1 OF 1  
RELEASE NO. 204861

REVISIONS

|  |  |  |  |
|--|--|--|--|
|  |  |  |  |
|--|--|--|--|

1

CHECK

13FEB02

SAV

CHECK

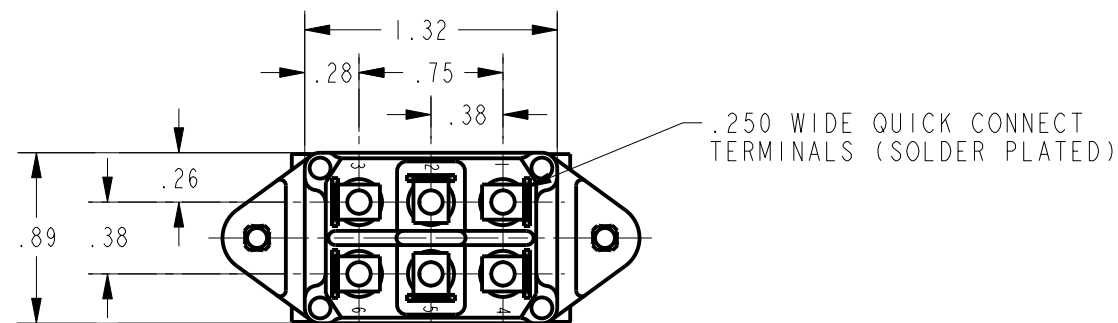
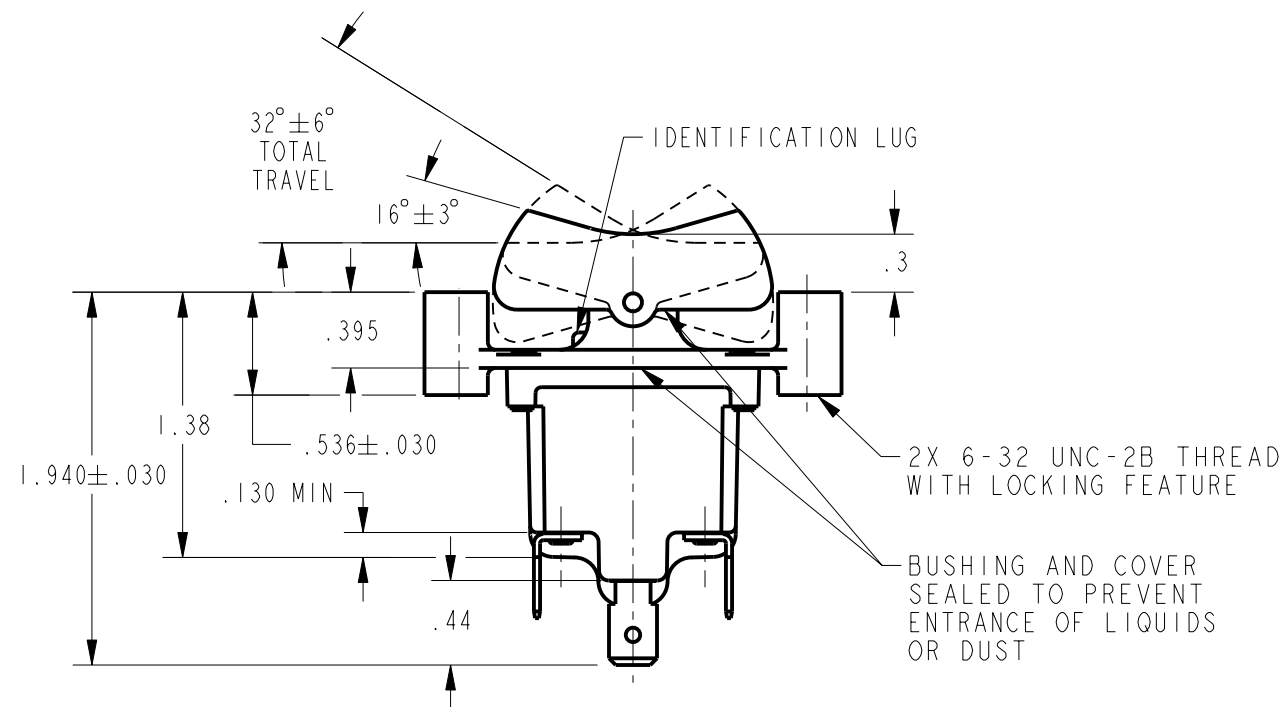
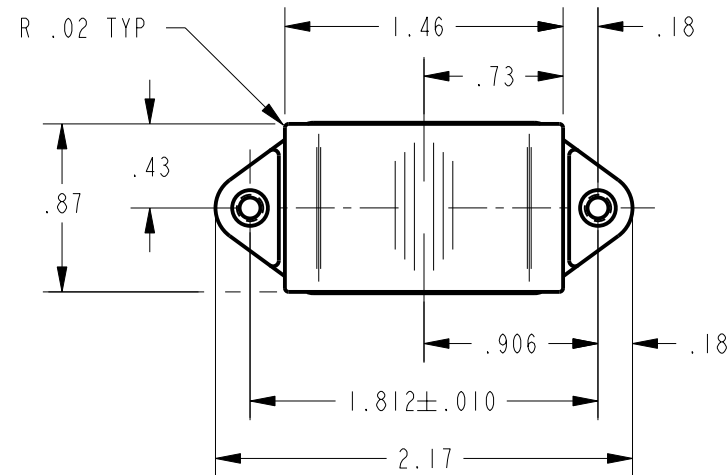
13FEB02

2D

DRAWN

TSM

PTC/CAD



| CATALOG LISTING | CIRCUIT MADE WITH BUTTON DEPRESSED ON |                   |                         |
|-----------------|---------------------------------------|-------------------|-------------------------|
|                 | LUG SIDE (1-2, 4-5)                   | CENTER (1-2, 4-5) | OPPOSITE LUG (2-3, 5-6) |
|                 | ON                                    | OFF               | ON                      |
|                 | OFF                                   | NONE              | ON                      |
|                 | ON                                    | NONE              | ON                      |
|                 | NONE                                  | OFF               | ON                      |
|                 | NONE                                  | ON                | ON                      |
|                 | MOM OFF                               | NONE              | ON                      |
|                 | MOM ON                                | OFF               | ON                      |
|                 | MOM ON                                | NONE              | OFF                     |
| 2TP91-7-        | MOM ON                                | OFF               | MOM ON                  |
|                 | MOM ON                                | NONE              | ON                      |
|                 | NONE                                  | ON                | MOM ON                  |
|                 | MOM ON                                | OFF               | NONE                    |

ELECTRICAL DATA

L191 15A 125, 250, 277 VAC  
1/2HP 125 VAC  
1HP 250, 277 VAC  
5A 125 VAC "L"



L192 10A 125, 250, 277 VAC  
1/4HP 125 VAC  
1/2HP 250, 277 VAC  
3A 125 VAC "L"



| BUTTON COLOR CODE    |             |
|----------------------|-------------|
| COLOR IDENTIFICATION | COLOR       |
| W                    | WHITE       |
| R                    | RED         |
| Y                    | YELLOW      |
| BK                   | BLACK       |
| G                    | GREEN       |
| BL                   | BLUE        |
| T                    | TRANSPARENT |

NOTES

- 1 - SWITCH WILL WITHSTAND TEMPERATURE OF 160°F
- 2 - MICRO SWITCH CAT. LIST. MARKED ON SIDE OF SWITCH
- 3 - APPLIES ONLY TO "ON" AND "MOMENTARY ON" POSITIONS
- 4 - SUFFIX MUST BE ADDED FOR DESIRED BUTTON COLOR (EXAMPLE: 2TP91-1-BK)

|   |              |
|---|--------------|
| THIRD ANGLE PROJECTION                    |              |
|   |              |
| SCALE                                     | FULL         |
| DO NOT SCALE PRINT                        |              |
| UNLESS OTHERWISE SPECIFIED TOLERANCES ARE |              |
| ONE PLACE                                 | (.0) ±.030   |
| TWO PLACE                                 | (.00) ±.015  |
| THREE PLACE                               | (.000) ±.005 |
| ANGLES                                    | ±            |
| WEIGHT                                    | .14 LB EST   |

## X-ON Electronics

Largest Supplier of Electrical and Electronic Components

*Click to view similar products for [Rocker Switches](#) category:*

*Click to view products by [Honeywell](#) manufacturer:*

Other Similar products are found below :

[LTI LA6E-1S-WH-RC-FN12VXCR1](#) [6-1571986-9](#) [8007K26N324V52](#) [8055K32Z7V](#) [8055K52Z7V](#) [8138K20E6M50](#) [84206L](#) [84312LX](#)  
[PREDD5-07F-BB0GW](#) [999-16716-002](#) [999-16716-003](#) [999-16716-004](#) [A101J1V3Q004](#) [A101J2ZQ004](#) [A101J4ZQ004](#) [A101J51CB0004](#)  
[A103J1ZQ004](#) [A201J1AQ004](#) [A201J3ZB004](#) [A201J50ZQ004](#) [A203J51ZQ0004](#) [A435S1YZQ](#) [H8500XBBBBBL-A](#) [H8653VBBG2577W](#)  
[HB130CHNWWNAAC](#) [R13112ABB-602W](#) [1251.0303](#) [AE205J60V3B004](#) [1352.0107](#) [1500G51E](#) [1571099-3](#) [1571987-4](#) [1571987-5](#)  
[1571989-7](#) [1571988-5](#) [B123J77V7B2](#) [B226J50W4Q22P](#) [B433J37ZQ22M](#) [160212E](#) [1634200-7](#) [1801.1164](#) [1839.1502](#) [PANEL-PLUG-VHP-](#)  
[BLACK](#) [PANEL-PLUG-VHP-WT](#) [K1ABBSCADN](#) [K2ABAAAAAA](#) [KG312A2DXD246X](#) [250011E714](#) [2600HM11E](#) [2600R21E](#)