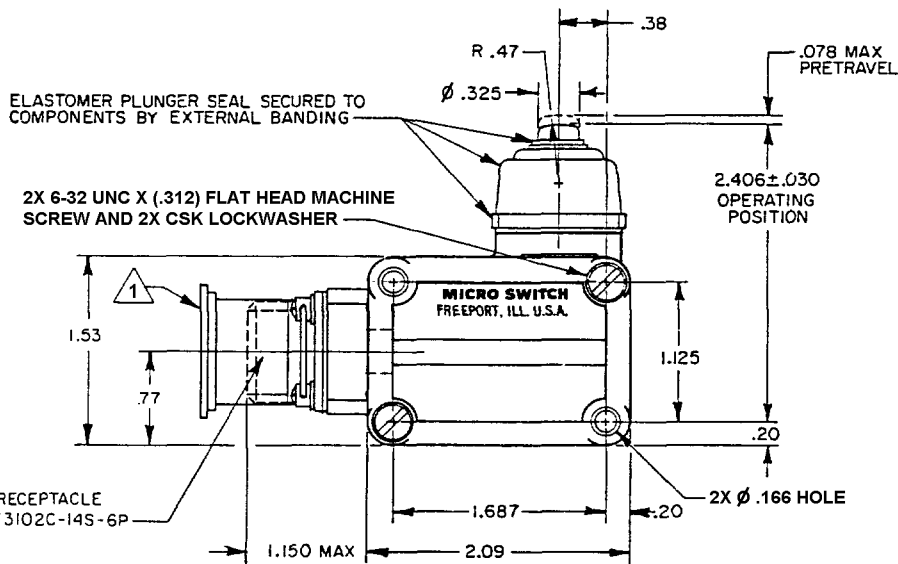
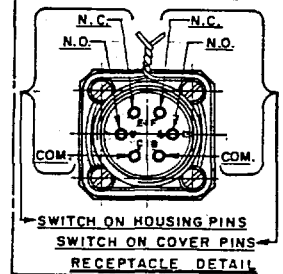
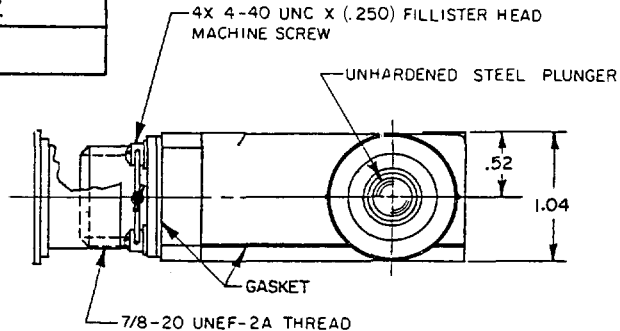


MICRO SWITCH
 FREEPORT, ILLINOIS, U.S.A.
 A DIVISION OF HONEYWELL
 FED. MFG. CODE 91999

SWITCH-ENCLOSED

CATALOG LISTING
2VB2



CATALOG LISTING
2VB2
 PAGE 1 OF 1
 RELEASE NO. SR-327-1
 REPLACES
 DRAWING NUMBER
M
 ISSUE **X17**
 CHECK
 REVISIONS
 A C055087 KJS 14 JUN 84
 B C058411 CJC NOV 85
 C C063567 KJM MAY 88
 D C074590 JH 27 MAR 93
 E 201300
 F 204636 JAH 11 DEC 01
 CHECK
 DRAWN
 KJS 14 JUN 84
 RASTER

ANSI Y14.5M-1982 APPLIES

THIS DRAWING COVERS A PROPRIETARY ITEM AND IS THE PROPERTY OF MICRO SWITCH, A DIVISION OF HONEYWELL. THIS DRAWING IS NOT TO BE COPIED OR USED WITHOUT THE APPROVAL OF MICRO SWITCH.

CHARACTERISTICS	ELECTRICAL DATA
OPERATING FORCE ----- 5 LB MAX	CONTACT ARRANGEMENT 2X SPDT
RELEASE FORCE ----- 0.5 LB MIN	15A 1/2 HP 125, 250 VAC 1/2A 125 VDC, 1/4A 250 VDC
DIFFERENTIAL TRAVEL ----- .031 MAX	
OVERTRAVEL ----- .250 MIN	

SCALE FULL
DO NOT SCALE PRINT
UNLESS OTHERWISE SPECIFIED TOLERANCES ARE
ONE PLACE (.0) ± .030
TWO PLACE (.00) ± .015
THREE PLACE (.000) ± .005
ANGLES ± 2°
WEIGHT

NOTES

- 1 - FURNISHED WITH SNUG FITTING PLASTIC PROTECTIVE DUST CAP
- 2 - ALUMINUM ENCLOSURE ZINC PHOSPHATE COATED AND FINISHED WITH ONE COAT PRIMER
- 3 - SWITCHES DO NOT OPERATE SIMULTANEOUSLY
- 4 - SWITCH WILL PERFORM SATISFACTORILY IN TEMPERATURES TO MINUS 65°F

X-ON Electronics

Largest Supplier of Electrical and Electronic Components

Click to view similar products for [Basic / Snap Action Switches](#) category:

Click to view products by [Honeywell](#) manufacturer:

Other Similar products are found below :

[5SM901-S12](#) [5SM9-S12N195](#) [602EN532](#) [602EN535-RB](#) [602HE5-RB1](#) [604HE162](#) [604HE223-6B](#) [624HE17-RB](#) [6HM82](#) [6HM89](#) [6SE1](#)
[6SX1-H58](#) [70500216](#) [70599106](#) [MBD5B1](#) [MBH2731](#) [73-316-0012](#) [EXD-AR20](#) [79211923](#) [79218589](#) [7AS12](#)
[MIL30126AB6BBMD4A12XAU](#) [ML-1155](#) [ML-1376](#) [831010C3.0](#) [831090C2.EL](#) [83131904](#) [84212012](#) [8AS239](#) [8HM73-3](#) [8SX26-H33](#)
[914CE1-6G](#) [PL-100](#) [11SM1077-H4](#) [11SM1077-H58](#) [11SM1-TN107](#) [11SM405](#) [11SM8423-H2](#) [11SX37-T](#) [11SX48-H58](#) [11SM2442-T](#)
[11SM76-T](#) [11SM77-H58](#) [11SM77-T](#) [11SM863-T](#) [11SM866](#) [A7CN-1M-1-LEFT](#) [A831700C7.0](#) [121EN187-R](#) [121EN188-R](#)