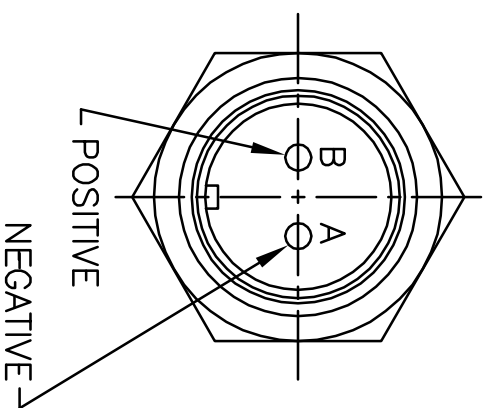
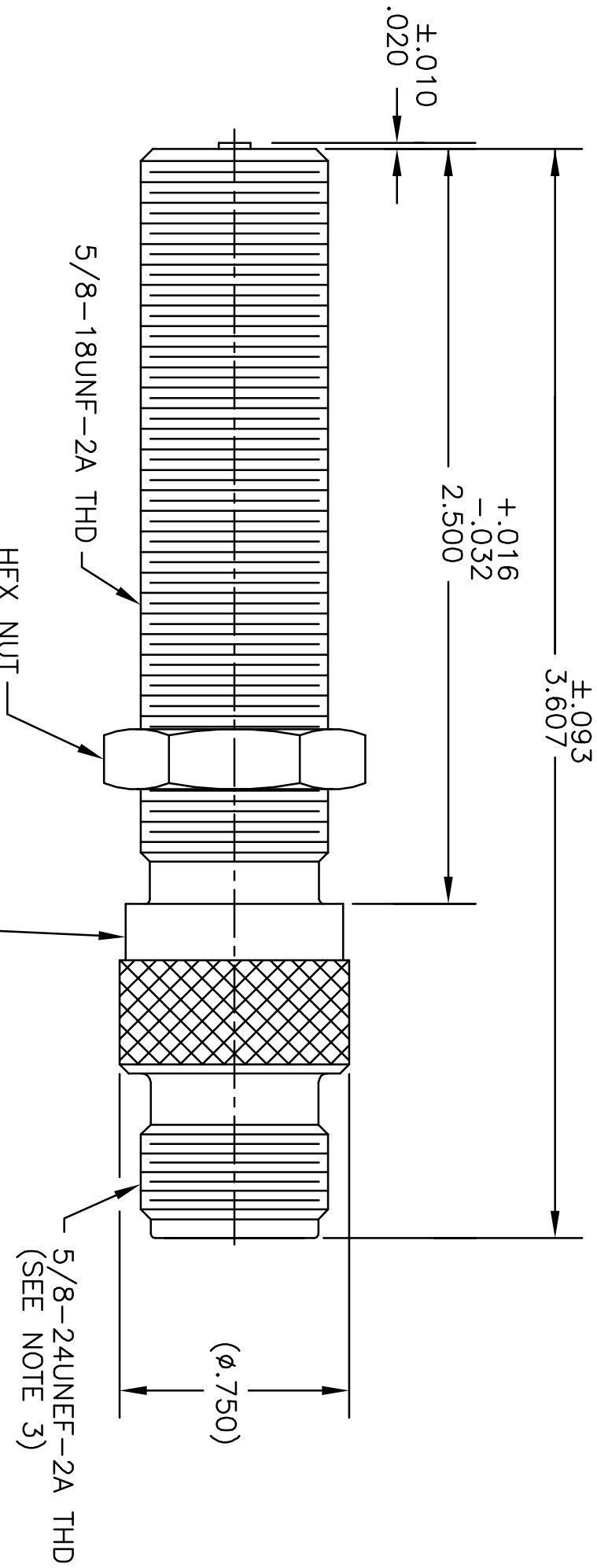
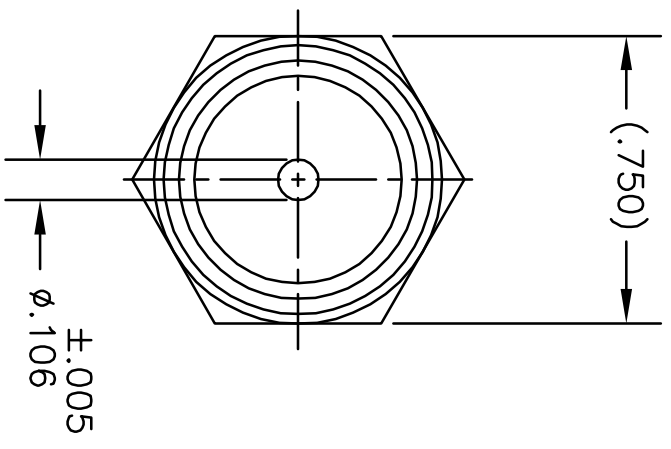


PARAMETER	VALUE
OUTPUT VOLTAGE	190V PK-PK MIN
COIL RESISTANCE	1200 OHMS MAX
INDUCTANCE	450 mH MAX @ 1KHz
DIELECTRIC STRENGTH	500V RMS AT 60HZ FOR 1 MIN MAX NOT TO EXCEED 100V PER SECOND
LEAKAGE RESISTANCE	100 MEGOHMS MINIMUM
TEMPERATURE LIMITS	-67°F TO +250°F
CUSTOMER DWG NO	

NOTES:

- TESTED AT 1000 I.P.S. WITH A 20 PITCH GEAR AT .005 INCH CLEARANCE AND A LOAD OF 100K OHMS.
- POLARITY: WHEN FERROUS METAL IS INTRODUCED INTO MAGNETIC FIELD, PIN "B" WILL BE POSITIVE WITH RESPECT TO PIN "A".
- CONNECTOR MATES WITH MS 3106A-10SL-4S

(F)



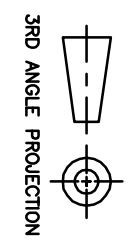
DWG. NO. 3030AN25 SH 1 REV F

REVISIONS

REV.	DESCRIPTION	DATE	APPROVAL
E	REVISED & REDRAWN CN14075	8/2/94	PEP
F	WAS -100°F TO +225°F CN14491	7/24/95	PEP

ROLL DIE "EC 3030AN25 XX" DATE CODE

THIS IS A COMPUTER GENERATED DRAWING
MANUAL REVISIONS WILL NOT BE RECORDED



UNLESS OTHERWISE SPECIFIED
DIMENSIONS ARE IN INCHES
.XXX DECIMAL ± .010
.XX DECIMAL ± .03
FRACTIONS ± 1/32
ANGLES ± 5'
RUNOUT .008 FIM
129 RMS OR BETTER ON
MACHINED PARTS.
BREAK SHARP CORNERS
.005/.015 NO BURRS

DO NOT SCALE DRAWING
THIS DOCUMENT IS THE PROPERTY OF ELECTRO CORPORATION AND MAY NOT BE REPRODUCED EITHER IN FULL OR IN PART WITHOUT WRITTEN APPROVAL BY ELECTRO CORPORATION.

DRAWN	MT	1/24/79
CHKD.	DEA	4/17/79
ENGR.	RR	4/27/79
MFG.		
Q.C.		

SIZE FSGM NO. B 81692
SCALE NONE
ELECTRO CORPORATION

TITLE
VRS SENSOR
MODEL DWG. NO. 3030AN25
SHEET 1 OF 1
REV F

UNCONTROLLED COPY. REVISIONS WILL NOT BE AUTOMATICALLY UPDATED. CONFIRM APPROPRIATE REVISION LEVEL WITH ELECTRO CORPORATION.

X-ON Electronics

Largest Supplier of Electrical and Electronic Components

Click to view similar products for [Speed Sensors](#) category:

Click to view products by [Honeywell](#) manufacturer:

Other Similar products are found below :

[621405](#) [M3050A13](#) [MA215HT-96](#) [726324](#) [726446](#) [727033](#) [727440-08](#) [727440-28](#) [728265-02](#) [993AB18AT-J](#) [SNDJ-CNT-G03](#) [M3024](#)
[M3030](#) [M3040](#) [M3040AN25](#) [34.170.1001.0](#) [4953](#) [ZS-180-B55](#) [ZS-1963](#) [ZS-2048](#) [ZS-2147](#) [04.241.8053.0](#) [04.845.2253.0](#) [EN401B](#) [SNDH-
SPR-001](#) [70.331.1028.0](#) [70.331.2428.0](#) [70.377.2428.0](#) [725004](#) [725204](#) [725733](#) [725951](#) [727397](#) [727440-27](#) [728143-15](#) [728202-02](#) [PA11560](#)
[PA12D03](#) [ZS-1952](#) [ZS-1728-D](#) [SNDJ-CNT-G04](#) [SNDH-SPC-01M](#) [SNDH-H3C-G07](#) [4951957-8](#) [REVK](#) [722543](#) [LCZA460](#) [728098-07](#)
[SNDH-SPC-01P](#) [727470](#) [3040AN40](#)