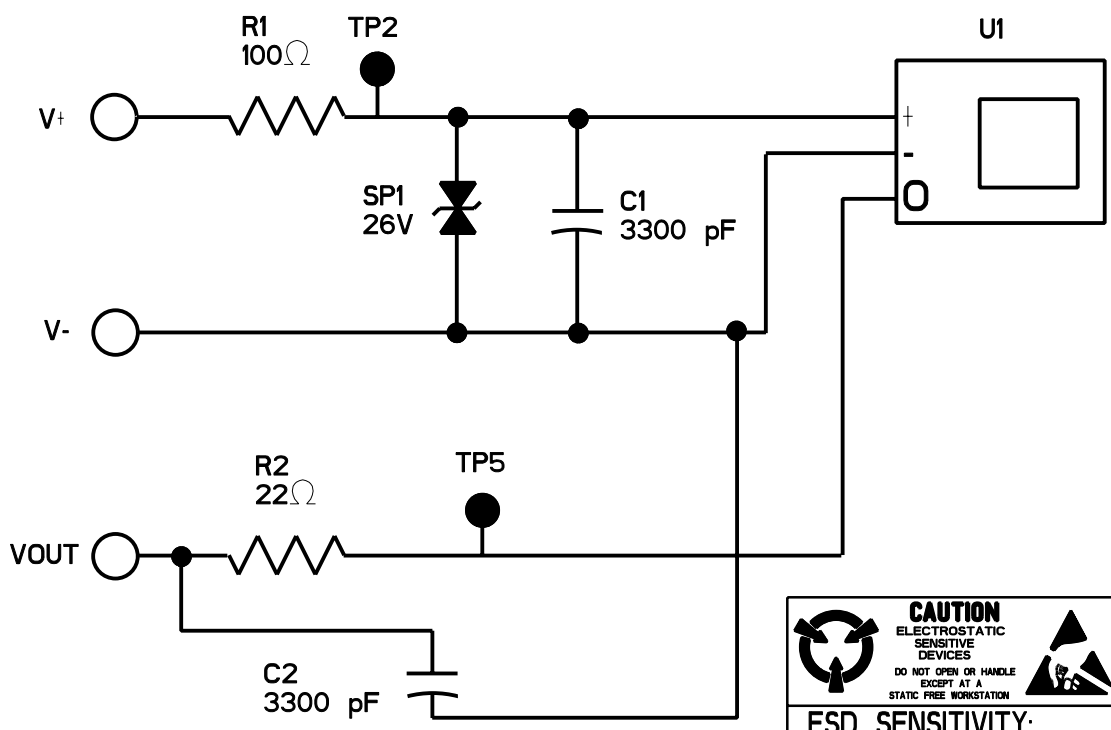
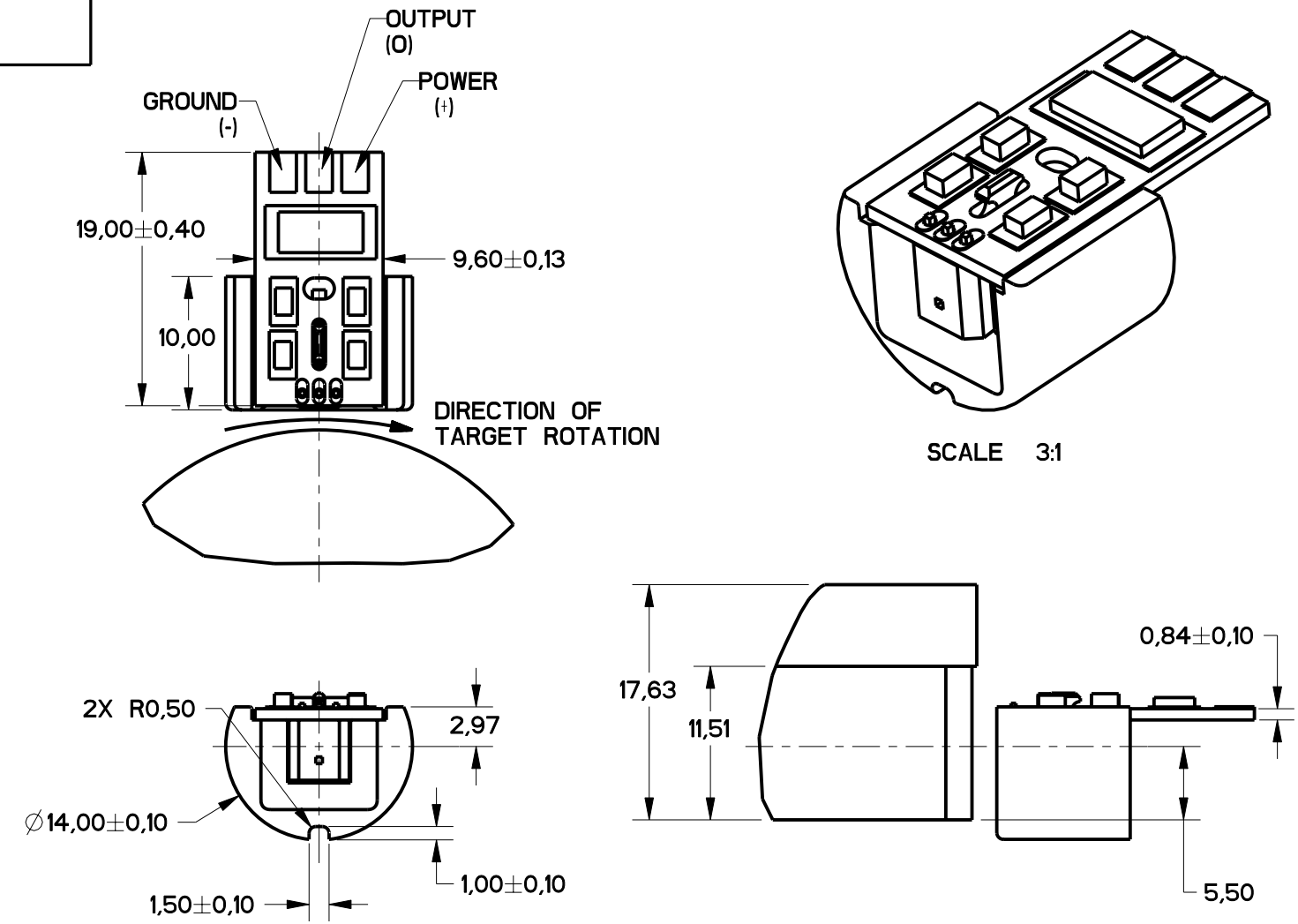
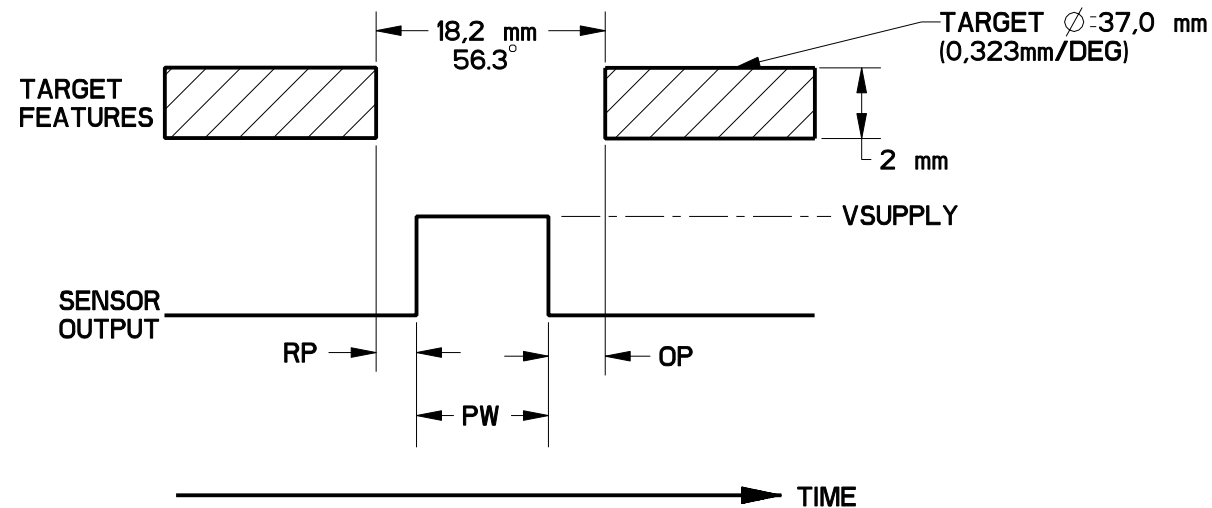


**PRELIMINARY OPERATING SPECIFICATIONS**

PARAMETER	CONDITION	DESIGN			UNITS	
		MIN.	NOM.	MAX.		
AG	AIR GAP	△1	.30	.70	1.10	mm
AGm	AIR GAP MAX.	△5			1.70	mm
Ta	TEMPERATURE		-40		130	°C
St	TARGET SPEED		0		4000	RPM
OP	OPERATE	△2	-8.9	-5.2	-1.5	DEG.
RP	RELEASE	△2	2.4	6.1	9.8	DEG.
PW	PULSE WIDTH	△2	37.6	45.0	52.4	DEG.
Vs	SUPPLY VOLTAGE		6.0		16.0	VDC
Vmax	SUPPLY VOLTAGE MAX.				24.0	VDC
I	SUPPLY CURRENT				20.0	mA
Is	SINK CURRENT				10.0	mA
Tr	RISE TIME (R1=1KΩ)				18	uSec
Tf	FALL TIME				1	uSec
Vce(sat)	VOLTAGE COLLECTOR EMITTER (SATURATED)				600	mV
Iceo	LEAKAGE CURRENT (OFF)				20	uA
OPt	OPERATE OVER TEMP.	△3	-11.4	-5.2	1.0	DEG.
RPt	RELEASE OVER TEMP.	△3	0.1	6.1	12.3	DEG.
PWt	PULSE WIDTH OVER TEMP.	△3	32.6	45.0	57.4	DEG.
DELTA OPs	DELTA OPERATE OVER SPEED	△4	0.0		0.9	DEG.
DELTA RPs	DELTA RELEASE OVER SPEED	△4	0.0		1.5	DEG.

**NOTES**

- △1 AIR GAP ASSUMES 0.75 mm OVERPACKAGE OF MODULE
- △2 80°C, 0.7 mm AIR GAP, 300 RPM, 12V
- △3 -30 TO 120°C, 0.7 mm AIR GAP, 300 RPM, 12V
- △4 80°C, 0.7 mm AIR GAP, 300 TO 3000 RPM, 12V
- △5 TWO PULSES PER ONE ROTATION AT 80°C, 1.7 mm AIR GAP, 300 RPM



THIRD ANGLE PROJECTION

SCALE 3 : 1

DO NOT SCALE PRINT

UNLESS OTHERWISE SPECIFIED TOLERANCES ARE

NO PLACE	( 0 )	± 1
ONE PLACE	( 0.0 )	± 0.4
TWO PLACE	( 0.00 )	± 0.15
ANGLES		±
WEIGHT		

**CAUTION**  
ELECTROSTATIC SENSITIVE DEVICES  
DO NOT OPEN OR HANDLE EXCEPT AT A STATIC FREE WORKSTATION

**ESD SENSITIVITY:**  
**CLASS 3**

CATALOG LISTING  
**3GC401**  
PAGE 1 OF 1

ISSUE  
**3**

REVISIONS

A	PR-23276	KAG	22 JAN 98
B	CO-96148	GRT	3 APR 00

CHECK

CHECK

PTC/CAD  
DRAWN  
WJC 21 NOV 97

## X-ON Electronics

Largest Supplier of Electrical and Electronic Components

*Click to view similar products for [Speed Sensors](#) category:*

*Click to view products by [Honeywell](#) manufacturer:*

Other Similar products are found below :

[621405](#) [M3050A13](#) [MA215HT-96](#) [70.343.2428.0](#) [726324](#) [726446](#) [727033](#) [727440-08](#) [727440-28](#) [728265-02](#) [993AB18AT-J](#) [KMI174X](#)  
[SNDJ-CNT-G03](#) [M3024](#) [M3030](#) [M3040](#) [M3040AN25](#) [34.170.0004.1](#) [34.170.1001.0](#) [4953](#) [ZS-180-B55](#) [ZS-1963](#) [ZS-2048](#) [ZS-2147](#)  
[04.241.8053.0](#) [04.845.2253.0](#) [606072](#) [EN401B](#) [70.331.1028.0](#) [70.331.2428.0](#) [70.377.2428.0](#) [725204](#) [725733](#) [725951](#) [727397](#) [728143-15](#)  
[728202-02](#) [728223-01](#) [PA11560](#) [PA12D03](#) [ZS-1952](#) [ZS-1728-D](#) [KMI23/4Z](#) [SNDJ-CNT-G04](#) [SNDH-SPC-01M](#) [SNDH-H3C-G07](#)  
[KMI25/2Z](#) [KMI23/2Z](#) [KMI25/4Z](#) [4951957-8](#) [REVK](#)