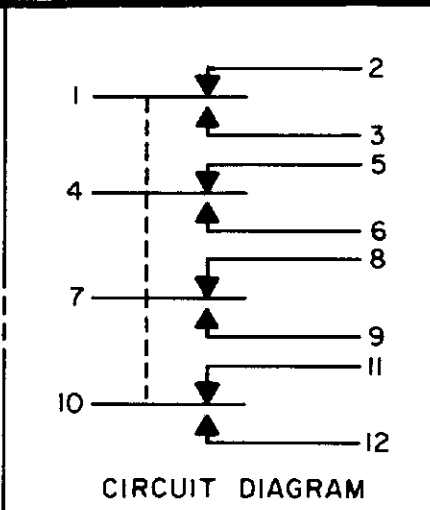


MICRO SWITCH
 FREEPORT ILLINOIS U.S.A.
 A DIVISION OF HONEYWELL
 FED MFG CODE 91929

SWITCH - ENCLOSED

CATALOG LISTING
404EN87-6

M



404EN87-6

M

DRAWING NUMBER

8 8

ISSUE

5 3

RELEASE NO. PR-6759 REPLACES

CHECK

REVISIONS

A	CO44351	CEB	27 SEP 79
B	CO46777	JAK	2 DEC 92
C	CO57370	YSK	15 MAY 85
D	CO73927	JAK	2 DEC 92
E	CO74101	BJW	30 JAN 93
F	77504-B	CO	16 MAY 94

CHECK

27 SEP 79

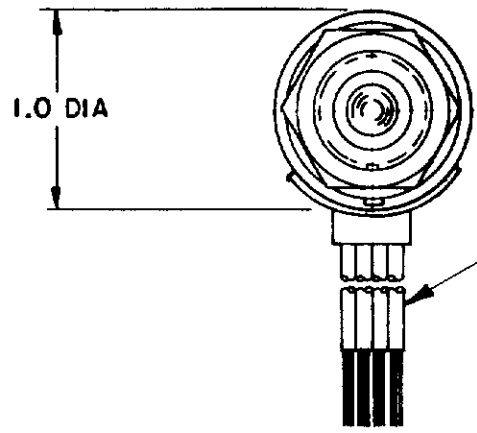
CEB

CHECK

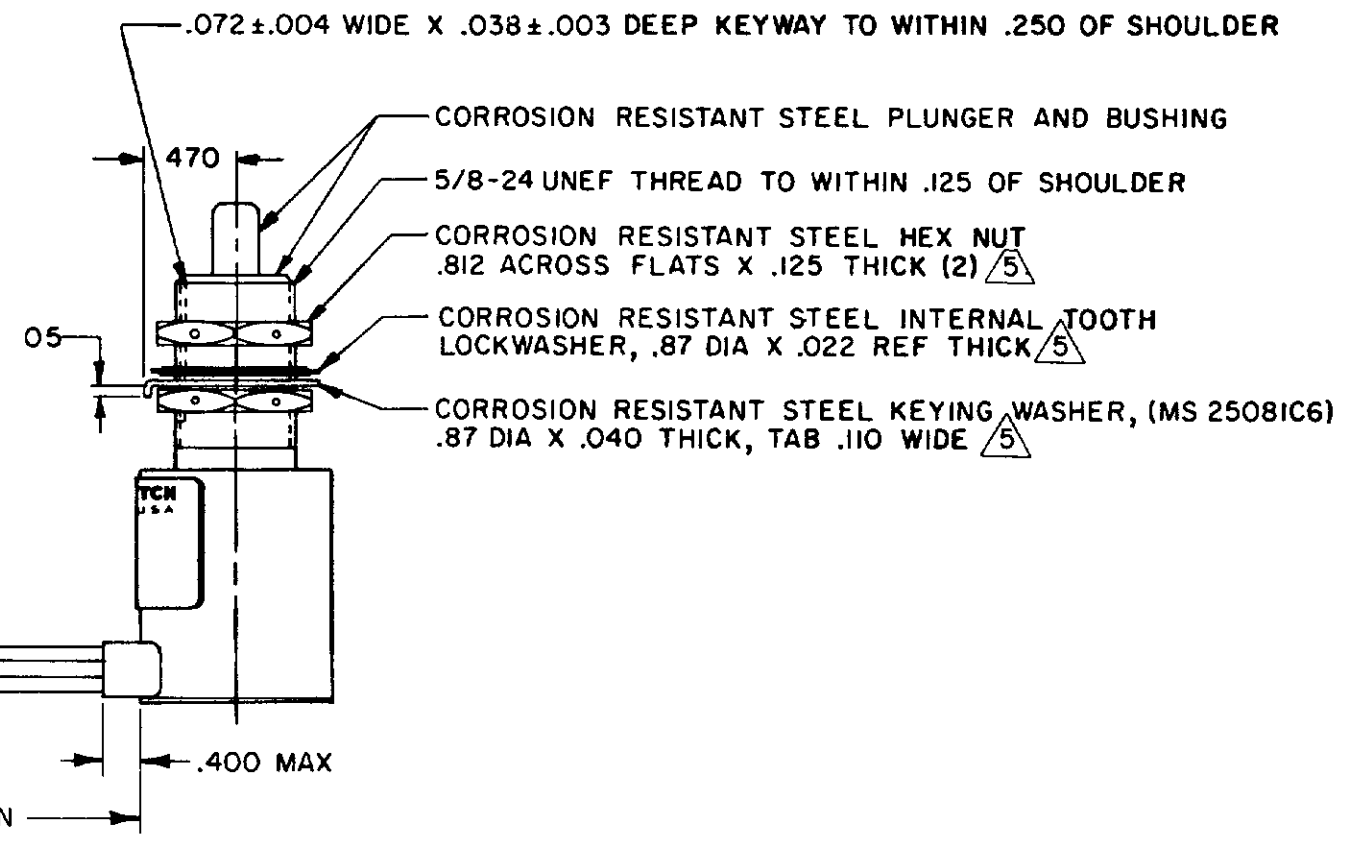
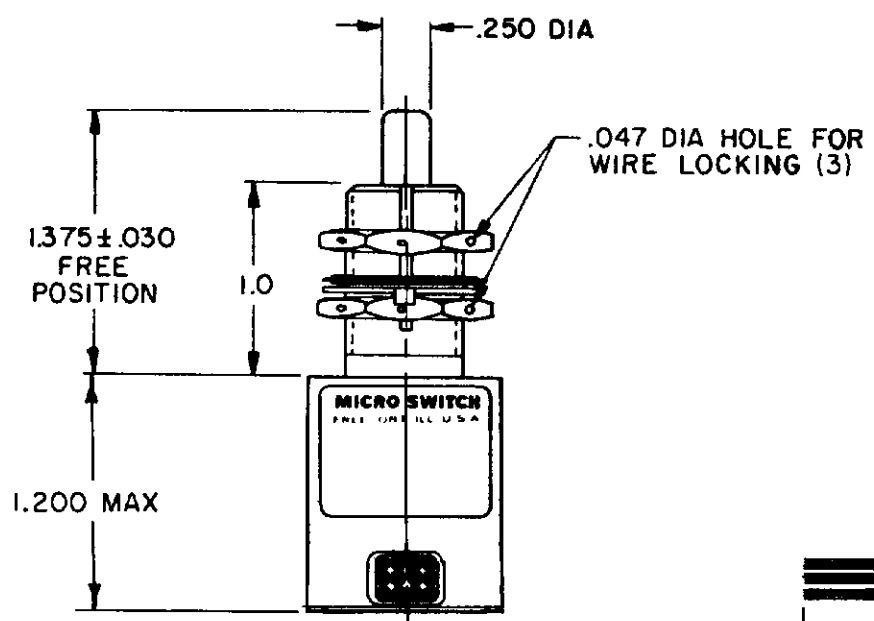
27 SEP 79

DRAWN

FO-52851-A



NO. 20 WIRE LEAD PER MIL-W-22759/7 MARKED WITH CIRCUIT IDENTIFICATION AND WIRE GAGE (1-20, 2-20, ETC) PER MIL-W-5088 (12)



CORROSION RESISTANT STEEL PLUNGER AND BUSHING
 5/8-24 UNEF THREAD TO WITHIN .125 OF SHOULDER
 CORROSION RESISTANT STEEL HEX NUT .812 ACROSS FLATS X .125 THICK (2) 5
 CORROSION RESISTANT STEEL INTERNAL TOOTH LOCKWASHER, .87 DIA X .022 REF THICK 5
 CORROSION RESISTANT STEEL KEYING WASHER, (MS 25081C6) .87 DIA X .040 THICK, TAB .110 WIDE 5

- NOTES
- 1 - CORROSION RESISTANT STEEL ENCLOSURE
 - 2 - SWITCH SEALED PER MIL-S-8805 SYMBOL 4
 - 3 - CIRCUIT DIAGRAM AND CATALOG LISTING ARE SHOWN ON NAMEPLATE
 - 4 - COINCIDENCE OF OPERATING AND RELEASING POINTS: .010 OF PLUNGER TRAVEL
 - 5 HARDWARE MAY BE PACKAGED UNASSEMBLED PER MIL-S-8805

THIS DRAWING COVERS A PROPRIETARY ITEM AND IS THE PROPERTY OF MICRO SWITCH, A DIVISION OF HONEYWELL. THIS DRAWING IS NOT TO BE COPIED OR USED WITHOUT THE APPROVAL OF MICRO SWITCH.		THIRD ANGLE PROJECTION	SCALE FULL
CHARACTERISTICS		ELECTRICAL DATA	DO NOT SCALE PRINT
OPERATING FORCE	6-12 LB	CONTACT ARRANGEMENT	TOLERANCES
FULL OVERTRAVEL FORCE	30 LB MAX	S P D T (4)	APPLY TO DESIGN UNITS CONVERSIONS ARE ONLY FOR REFERENCE UNLESS NOTED TOLERANCES ARE X
RELEASE FORCE	4 LB MIN	LOAD	DIM mm TOL mm/in DIM in TOL in/in
PRETRAVEL	.040 MAX	28 VDC	NO PLACES .17 .04 .17 .04
DIFFERENTIAL TRAVEL	.020 MAX	SEA LEVEL 50,000 FT.	ONE PLACE .1X .04/.016 .1X .04/.016
OVERTRAVEL	.250 MIN	RES 7 7	TWO PLACES .1XX .015/.006 .1XX .015/.006
		IND 4 2.5	THREE PLACES .1XXX .013/.005 .1XXX .013/.005
		MOTOR 4	ANGLES
			SI METRIC <input type="checkbox"/> US CUSTOMARY <input checked="" type="checkbox"/>
			RAW MATERIAL-COMMERCIAL STANDARD MICRO SWITCH STANDARDS APPLY DIMENSIONS ARE TO BE MET BEFORE PROTECTIVE COATINGS ARE APPLIED
			WEIGHT 12.5 OZ MAX

X-ON Electronics

Largest Supplier of Electrical and Electronic Components

Click to view similar products for [Basic / Snap Action Switches](#) category:

Click to view products by [Honeywell](#) manufacturer:

Other Similar products are found below :

[83228001](#) [01.098.1358.1](#) [602EN1-6B](#) [602EN532](#) [602EN535-RB](#) [602HE5-RB1](#) [604HE162](#) [604HE223-6B](#) [624HE17-RB](#) [6HM89](#) [6PA78-JM](#)
[6SE1](#) [6SX1-H58](#) [70500840](#) [MBD5B1](#) [MBH2731](#) [73-316-0012](#) [79211759](#) [79211923](#) [79218589](#) [7AS12](#) [ML-1155](#) [ML-1376](#) [831010C3.0](#)
[831060C3.TL](#) [831090C2.EL](#) [83131904](#) [84212012](#) [8AS239](#) [8HM73-3](#) [903VB1-PG](#) [914CE1-6G](#) [PL-100](#) [11SM1077-H4](#) [11SM1077-H58](#)
[11SM1-TN107](#) [11SM405](#) [11SM703-T](#) [11SM8423-H2](#) [11SX37-T](#) [11SX48-H58](#) [11SX55-H58](#) [11SM2442-T](#) [11SM76-T](#) [11SM77-H58](#)
[11SM77-T](#) [11SM863-T](#) [11SM866](#) [11SX47-H58](#) [A7CN-1M-1-LEFT](#)