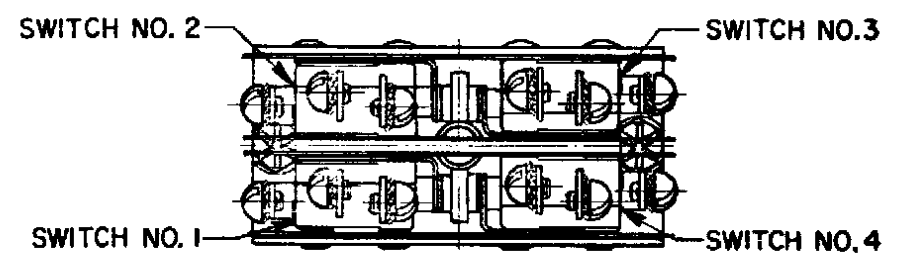
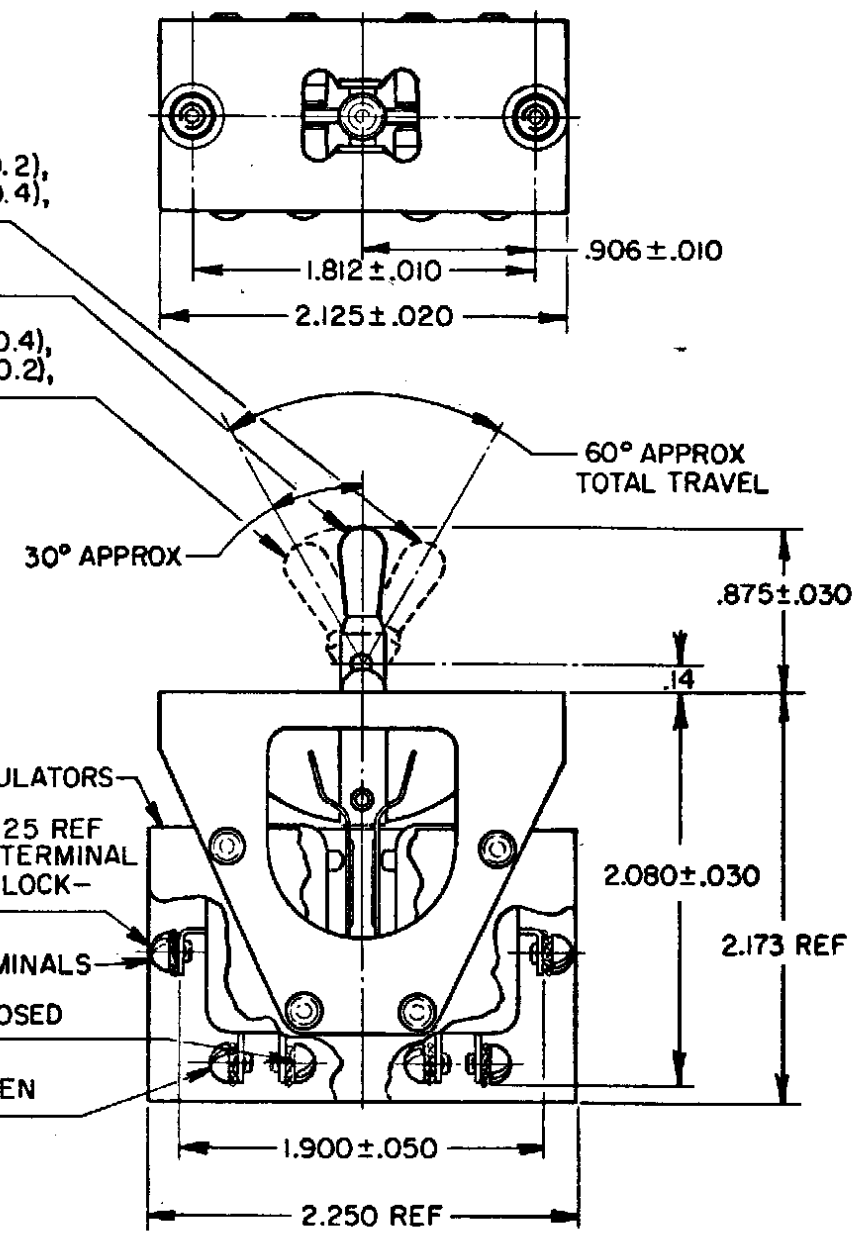
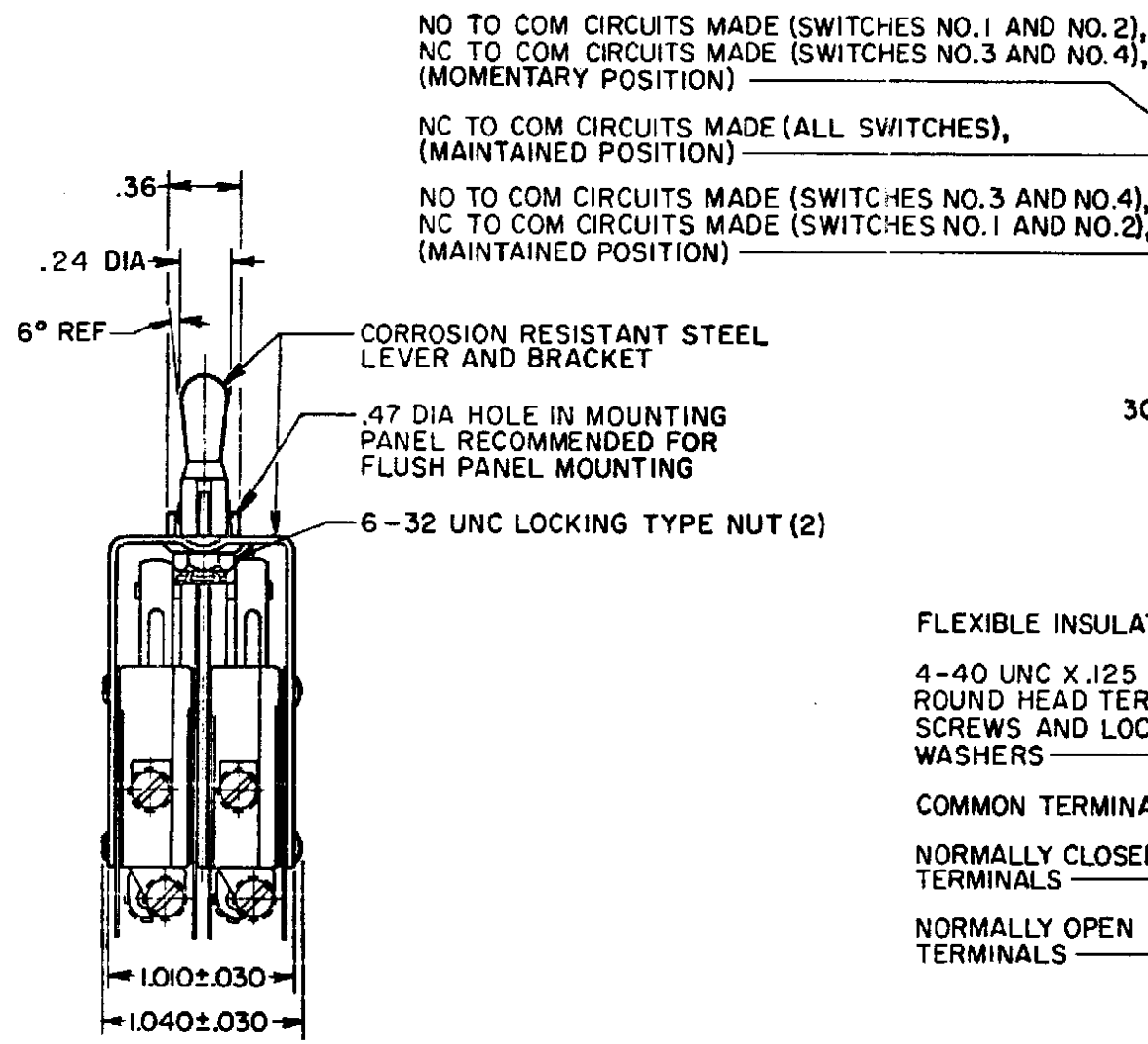


MICRO SWITCH
 FREEPORT, ILLINOIS U.S.A.
 A DIVISION OF HONEYWELL
 FED. MFG. CODE 91929

**ASSEMBLY
 TOGGLE SWITCH**

CATALOG LISTING
4AT6

M 4AT6
 DRAWING NUMBER
 ISSUE 14
 REVISIONS
 A OBS CO-35031
 S M A 30 APR 79
 B RE-INS PR-7854
 T M M 26 APR 79
 C OBS CO-46184
 R M M 9 JUNE 79
 D RE-INS PR-7854
 13 JUNE 79
 E OBS DWG CO47737
 4 JUN 80
 F REINST PR11420
 WJM 31 AUG 82
 G CO 60089
 M A M 12 AUG 86
 H ECO-0045107 VKS 03 NOV 08
 CHECK CE 3 27 APR 79
 T M M 26 APR 79
 DRAWN
 FO-5285 1-A



NOTES
 1 - UNIT INCLUDES CAT. LIST. V3-201 TYPE BASIC SWITCH (4)
 2 - SWITCHES DO NOT NECESSARILY OPERATE SIMULTANEOUSLY

THIS DRAWING COVERS A PROPRIETARY ITEM AND IS THE PROPERTY OF MICRO SWITCH, A DIVISION OF HONEYWELL. THIS DRAWING IS NOT TO BE COPIED OR USED WITHOUT THE APPROVAL OF MICRO SWITCH.		THIRD ANGLE PROJECTION	SCALE FULL																								
CHARACTERISTICS		ELECTRICAL DATA	DO NOT SCALE PRINT																								
		CONTACT ARRANGEMENT SPDT(4)	TOLERANCES APPLY TO DESIGN UNITS. CONVERSIONS ARE ONLY FOR REFERENCE. UNLESS NOTED, TOLERANCES ARE X																								
		15A-1/3HP-125 OR 250 VAC 1/2A-125 VDC; 1/4A-250 VDC	<table border="1"> <thead> <tr> <th>DIM.</th> <th>TOL.</th> <th>DIM.</th> <th>TOL.</th> </tr> <tr> <th>IN.</th> <th>MM/IN</th> <th>IN.</th> <th>MM/IN</th> </tr> </thead> <tbody> <tr> <td>NO PLACES</td> <td>X</td> <td>1/DA</td> <td>X</td> </tr> <tr> <td>ONE PLACE</td> <td>X,X</td> <td>0.4/0.16</td> <td>X,X</td> </tr> <tr> <td>TWO PLACES</td> <td>X,XX</td> <td>0.15/0.06</td> <td>X,XX</td> </tr> <tr> <td>THREE PLACES</td> <td>X,XXX</td> <td></td> <td>X,XXX</td> </tr> </tbody> </table>	DIM.	TOL.	DIM.	TOL.	IN.	MM/IN	IN.	MM/IN	NO PLACES	X	1/DA	X	ONE PLACE	X,X	0.4/0.16	X,X	TWO PLACES	X,XX	0.15/0.06	X,XX	THREE PLACES	X,XXX		X,XXX
DIM.	TOL.	DIM.	TOL.																								
IN.	MM/IN	IN.	MM/IN																								
NO PLACES	X	1/DA	X																								
ONE PLACE	X,X	0.4/0.16	X,X																								
TWO PLACES	X,XX	0.15/0.06	X,XX																								
THREE PLACES	X,XXX		X,XXX																								
			DESIGN UNITS <input type="checkbox"/> SI METRIC <input checked="" type="checkbox"/> US CUSTOMARY																								
			RAW MATERIAL—COMMERCIAL STANDARD MICRO SWITCH STANDARDS APPLY																								
			DIMENSIONS ARE TO BE MET BEFORE PROTECTIVE COATINGS ARE APPLIED																								
			WEIGHT																								

X-ON Electronics

Largest Supplier of Electrical and Electronic Components

Click to view similar products for [Toggle Switches](#) category:

Click to view products by [Honeywell](#) manufacturer:

Other Similar products are found below :

[8928K478](#) [020017-13](#) [60012L](#) [6006L](#) [CS115W](#) [CS120W](#) [637H/25](#) [6663](#) [7101SPDV30BE](#) [7103SDV30BE](#) [7105D](#) [7108P3YAV2BE](#)
[71YY50282](#) [7300K36](#) [7301K38](#) [7306K36](#) [7310K36](#) [7506K4](#) [7592K6](#) [7660K12](#) [7691K14](#) [7700K1](#) [8391K108](#) [8396K108](#) [8824K14](#)
[8828K13](#) [8835K3](#) [8858K44](#) [PS83-121G](#) [1-1825192-0](#) [A201SCWZB04](#) [A207SYCB04](#) [A208J61ZQ0004](#) [A221T1TCQ](#) [A232M1YCQ](#)
[A323S1CWZQ](#) [A423S1CWZG-M8](#) [1201W](#) [12156AX408](#) [12147AGKX679](#) [12246X778](#) [12TW49-3D](#) [130312](#) [13037L](#) [13001X](#)
[AE101MD1W4B04](#) [AE208SD1W4B04](#) [MS24659-22D](#) [MS27407-5](#) [1520230-9](#)