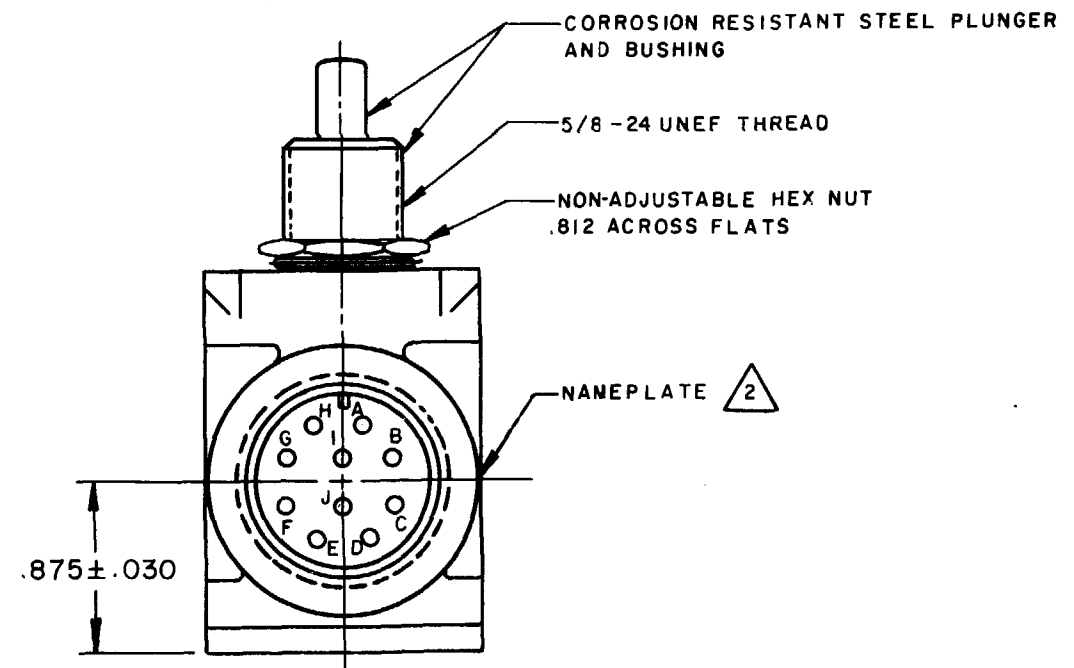
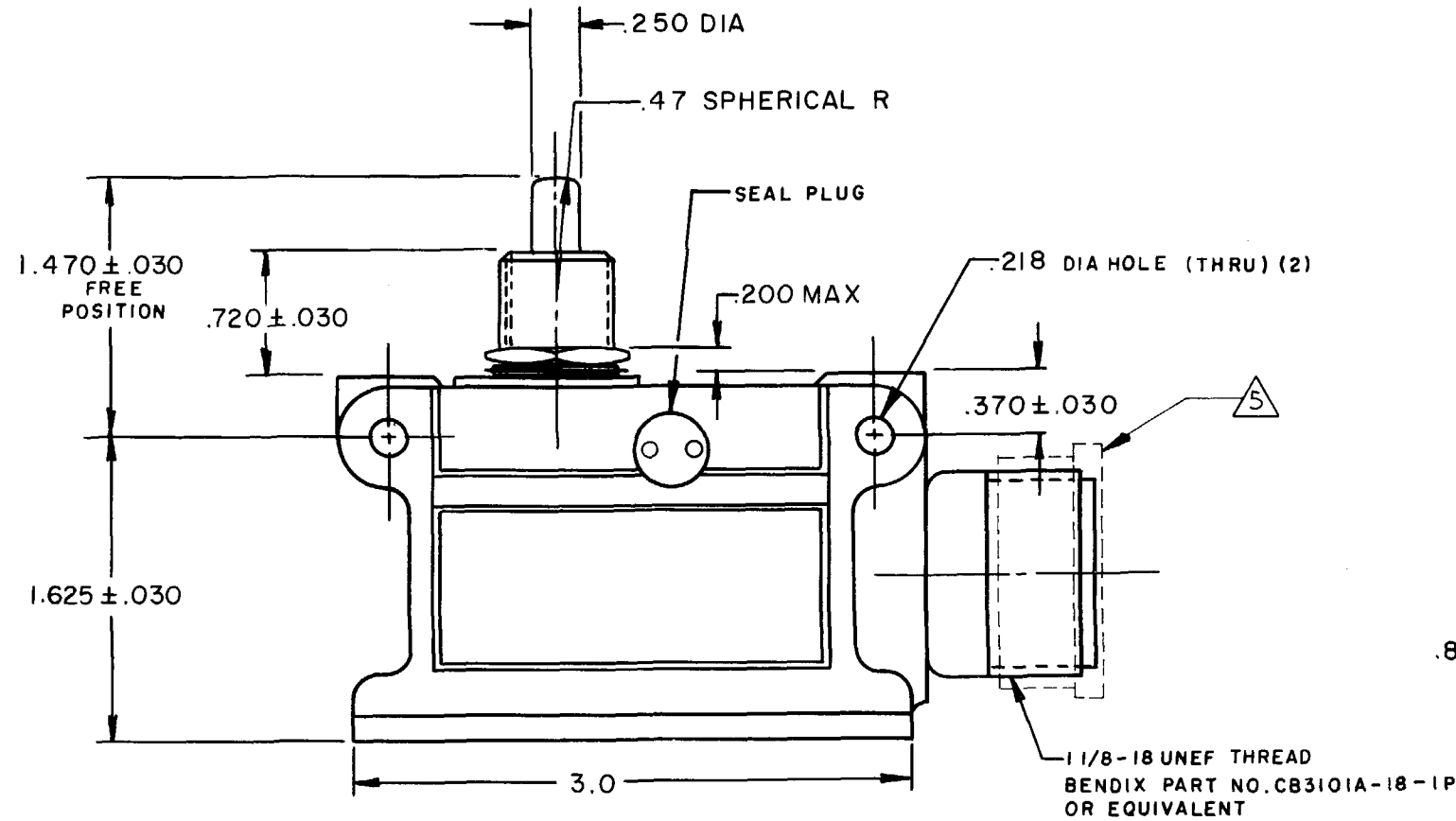
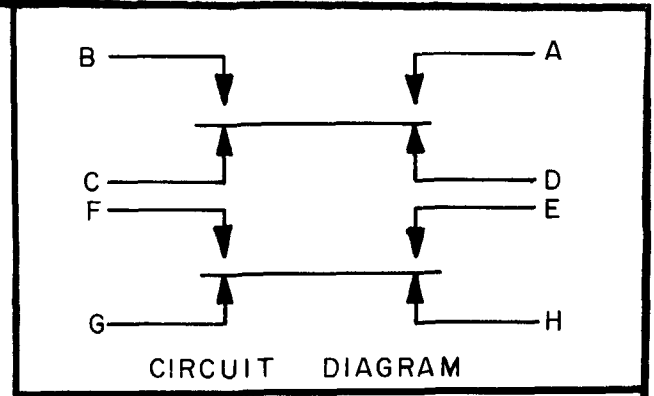
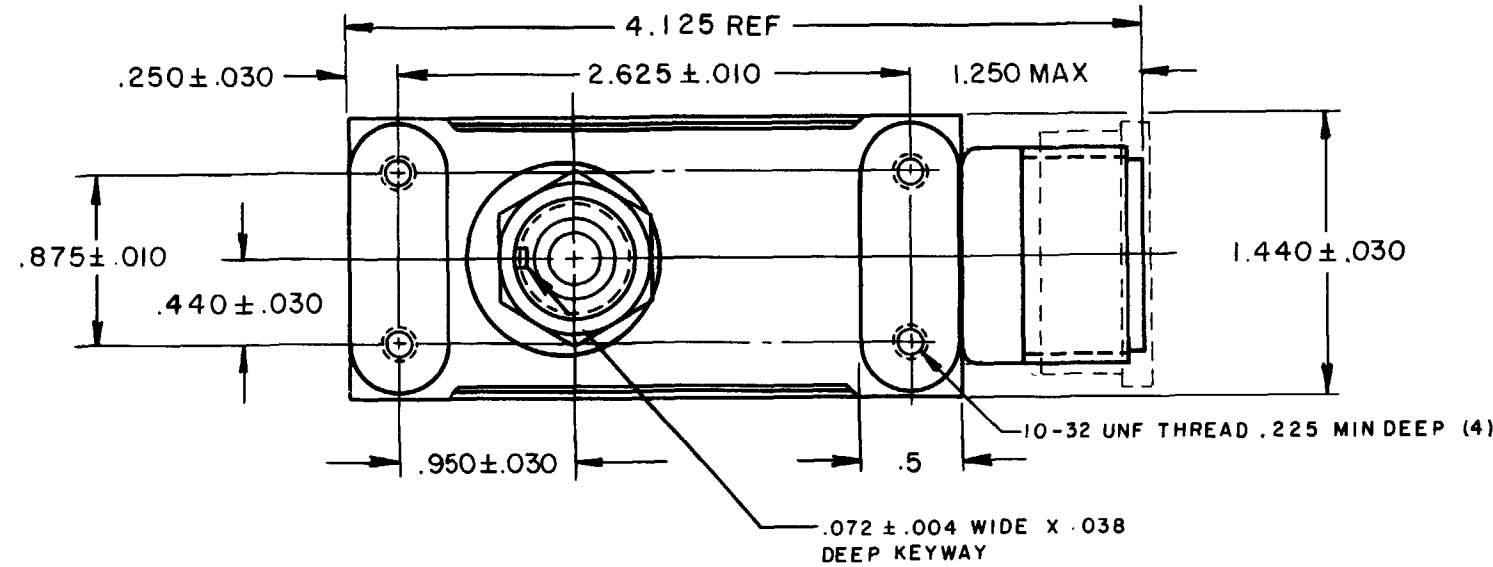


**H MICRO SWITCH**  
 FREEPORT, ILLINOIS, U.S.A.  
 A DIVISION OF HONEYWELL  
 FED. MFG. CODE 91929

**SWITCH-ENCLOSED**

CATALOG LISTING

**4CE7**



4CE7  
 M  
 DRAWING NUMBER  
 88  
 ISSUE  
 REVISIONS  
 A SR11445  
 L S D  
 3 FEB 64  
 B SR11445  
 OM W  
 18 FEB 64  
 C CO19325  
 H B W  
 18 JUN 64  
 D CO21356  
 L S D  
 7 APR 66  
 E CO-53016  
 K A G  
 23 JUN 83  
 D CO 58411  
 C J H  
 15 NOV 85  
 E 204537  
 S A V  
 14 DEC 01  
 DAW  
 CHECK  
 3 FEB 64  
 DAW  
 CHECK  
 3 FEB 64  
 FO-50378-003

THIS DRAWING COVERS A PROPRIETARY ITEM AND IS THE PROPERTY OF MICRO SWITCH, A DIVISION OF MINNEAPOLIS-HONEYWELL REGULATOR CO. THIS DRAWING IS NOT TO BE COPIED OR USED WITHOUT THE APPROVAL OF MICRO SWITCH.

CHARACTERISTICS	ELECTRICAL DATA	SCALE FULL
OPERATING FORCE ----- 6-12 LB	CONTACT ARRANGEMENT SEE CIRCUIT DIAGRAM	DO NOT SCALE PRINT
FULL OVERTRAVEL FORCE --- 30 LB MAX		UNLESS OTHERWISE NOTED
RELEASE FORCE ----- 5 LB MIN		DIMENSIONS ARE IN INCHES
PRETRAVEL ----- .070 MAX	10 A-125 OR 250 VAC	<b>TOLERANCES ARE:</b>
DIFFERENTIAL TRAVEL --- .045 MAX		ONE PLACE (.0) ±.030
OVERTRAVEL ----- .230 MIN		TWO PLACE (.00) ±.015
		THREE PLACE (.000) ±.005
		ANGLES ±
		WEIGHT 12.5 OZ MAX

NOTE -

- 1- ALUMINUM ALLOY ENCLOSURE ANODIZED, IMPREGNATED AND FINISHED WITH ONE COAT OF PRIMER
- 2- CIRCUIT IDENTIFICATION SHOWN ON NAMEPLATE
- 3- SHOCKPROOF PER MIL-S-901 GRADE I, TYPE C, LIGHT-WEIGHT EQUIPMENT WITH NO PHYSICAL DAMAGE
- 4- WATERTIGHT PER MIL-STD-108, TABLE III, METHOD C, AT 1.3 PSI FOR 2 HOURS WHEN USED WITH MATING RECEPTACLE MS3106E-18-1S OR EQUIVALENT
- 5- FURNISHED WITH SNUG FITTING PLASTIC DUST CAP

## X-ON Electronics

Largest Supplier of Electrical and Electronic Components

*Click to view similar products for [Basic / Snap Action Switches](#) category:*

*Click to view products by [Honeywell](#) manufacturer:*

Other Similar products are found below :

[83228001](#) [01.098.1358.1](#) [602EN1-6B](#) [602EN532](#) [602EN535-RB](#) [602HE5-RB1](#) [604HE162](#) [604HE223-6B](#) [624HE17-RB](#) [6HM89](#) [6PA78-JM](#)  
[6SE1](#) [6SX1-H58](#) [70500840](#) [MBD5B1](#) [MBH2731](#) [73-316-0012](#) [79211759](#) [79211923](#) [79218589](#) [7AS12](#) [ML-1155](#) [ML-1376](#) [831010C3.0](#)  
[831060C3.TL](#) [831090C2.EL](#) [83131904](#) [84212012](#) [8AS239](#) [8HM73-3](#) [903VB1-PG](#) [914CE1-6G](#) [PL-100](#) [11SM1077-H4](#) [11SM1077-H58](#)  
[11SM1-TN107](#) [11SM405](#) [11SM703-T](#) [11SM8423-H2](#) [11SX37-T](#) [11SX48-H58](#) [11SX55-H58](#) [11SM2442-T](#) [11SM76-T](#) [11SM77-H58](#)  
[11SM77-T](#) [11SM863-T](#) [11SM866](#) [11SX47-H58](#) [A7CN-1M-1-LEFT](#)