

Hermetically Sealed Premium Large Basic Switches

HS Series

003128

Issue 1

Datasheet



DESCRIPTION

When hermetically sealed switches (metal-to-metal and glass-to-metal sealing) are a requirement for demanding applications, Honeywell MICRO SWITCH™ HS Series premium large basic switches fulfill the need. The HS Series design incorporates a MIL-PRF-8805 symbol 5 hermetic seal to comply with hermetic seal requirements. HS Series switches are capable of controlling logic level/low energy applications, as well as power-duty switching to solve many applications. With a compact package size, HS Series switches have overall dimensions of 1.96 inch length, 1.18 inch height, and 0.67 inch wide and are suitable for applications where space is limited.

In addition to MIL-PRF-8805 qualified HS Series switches, UL and CSA certified HS Series basic switches are available for a wide variety of applications.

VALUE TO CUSTOMERS

- Hermetic seal protects the switch mechanism from harmful particle (sand/dust), liquid (water), and gas (corrosive gas and atmospheric pressures) environments

FEATURES

- Select HS catalog listings qualified to MIL-PRF-8805 and/or UL, CSA certified
- Hermetic sealing to MIL-PRF-8805 symbol 5 requirements
- Similar package size as Honeywell MICRO SWITCH™ premium large basic switches with 25,4 mm [1.00 in] mounting centers
- Mounting holes of switch are outside of hermetically sealed switch chamber
- Several different styles of integral actuators and auxiliary actuators
- Electrical connection with #6-32 terminal screws or individual #18 AWG wire leads
- Temperature range from -54 °C to 121 °C [-65 °F to 250 °F] with select catalog listings to 149 °C [300 °F]

POTENTIAL APPLICATIONS

- Commercial and military aircraft in high altitude and deep space equipment for engine valve open/closed position and door latch positions
- Food processing equipment
- Adverse gas or vapor environments

DIFFERENTIATION

- Capable of controlling electrical circuits from logic level/computer based circuits or electrical circuits up to 25 A
- HS Series has the common 25,4 mm [1.00 in] mounting centers

PORTFOLIO

In addition to the HS Series hermetically sealed switches, Honeywell offers a complete range of sealed switches for aircraft and military systems. The sealed switches include the [EN Series](#), [HM Series](#), [HE Series](#), [HR Series](#), [SE Series](#), and [XE Series](#).

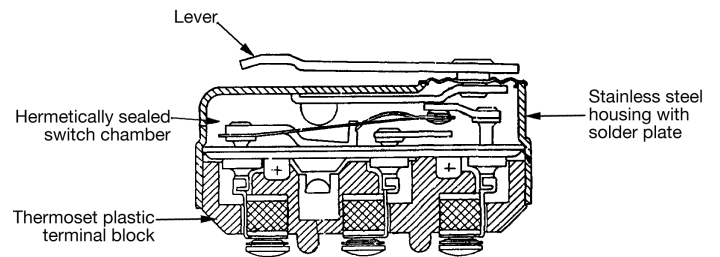
Hermetically Sealed, Premium Large Basic Switches, HS Series

Table 1. Specifications

Characteristic	Parameter
Description	Hermetically sealed premium large basic switch
Certifications	MIL-PRF-8805, UL, and CSA
Housing material	Stainless steel housing and lever with thermoset plastic base
Actuators	Standard lever; extended lever; roller lever
Contacts	Fine silver
Circuitry	1PDT (one-pole double-throw)
Electrical rating	Table 2, Page 2
Electrical termination	#6-32 terminal screws or wire leads
Mechanical endurance	25,000 cycles min. per MIL-PRF-8805
Electrical endurance	10,000 cycles min. at rated electrical load per MIL-PRF-8805
Dielectric strength (initial)	1000 VRMS per MIL-PRF-8805
Environmental sealing	Symbol 5, hermetic seal per MIL-PRF-8805
Temperature range	-54 °C to 121 °C [-65 °F to 250 °F]; select catalog listings -54 °C to 149 °C [-65 °F to 300 °F]
Shock	Symbol M (100 g) per MIL-PRF-8805
Vibration	Symbol 1 (10 g peak) 10 Hz to 500 Hz sinusoidal per MIL-PRF-8805

Table 2. Electrical Ratings

Rating Code		Capacity (Amps)				
					UL, CSA	
		28 Vdc	125 Vac	120 Vdc	125 Vac	28 Vdc
A	Resistive	25	1	0.5	1	5
	Inductive	8	1	0.5	–	–
B	Resistive	15	0.5	–	1	5
	Inductive	8	1	–	–	–
C	Resistive	15	0.5	–	–	–
	Inductive	8	1	–	–	–
D	Resistive	25	0.5	–	1	5
	Inductive	8	1	–	–	–



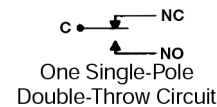
HS SERIES SWITCHES

The HS Series hermetically sealed basic switches are designed for side mounting on 25,4 mm [1.00 in] centers. The mounting of the switch is outside the hermetically sealed switch chamber. The external material for the HS Series is stainless steel and thermoset plastic.

Electrical terminations for the HS Series switches are individual wire leads or integral #6-32 terminal screws.

CIRCUITRY

1PDT



Hermetically Sealed, Premium Large Basic Switches, HS Series

ELECTROMECHANICAL SWITCHES

Definitions below explain the meaning of operating characteristics. Characteristics shown in tables were chosen as most significant. They are taken at normal room temperature and humidity. These may vary as temperature and humidity conditions differ. Sketches show how characteristics are measured for in-line plunger actuation.

Linear dimensions for in-line actuation are from top of plunger to a reference line.

Differential Travel (D.T.) – Plunger or actuator travel from point where contacts “snap-over” to point where they “snapback.”

Free Position (F.P.) – Position of switch plunger or actuator when no external force is applied (other than gravity).

Full Overtravel Force – Force required to attain full overtravel of actuator.

Operating Position (O.P.) – Position of switch plunger or actuator at which point contacts snap from normal to operated position. Note that in the case of flexible or adjustable actuators, the operating position is measured from the end of the lever or its maximum length. Location of operating position measurement shown on mounting dimension drawings.

Operating Force (O.F.) – Amount of force applied to switch plunger or actuator to cause contact “snap-over.” Note in the case of adjustable actuators, the force is measured from the maximum length position of the lever.

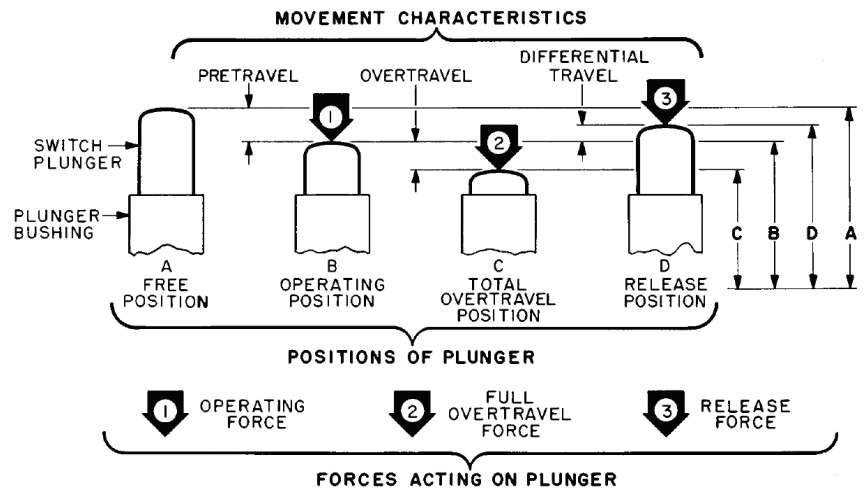
Overtravel (O.T.) – Plunger or actuator travel available beyond operating position.

Pretravel (P.T.) – Distance or angle traveled in moving plunger or actuator from free position to operating position.

Release Force (R.F.) – Amount of force still applied to switch plunger or actuator at moment contacts snap from operated position to unoperated position.

Total Travel (T.T.) – Distance from actuator free position to overtravel limit position.

IN-LINE PLUNGER ACTUATION



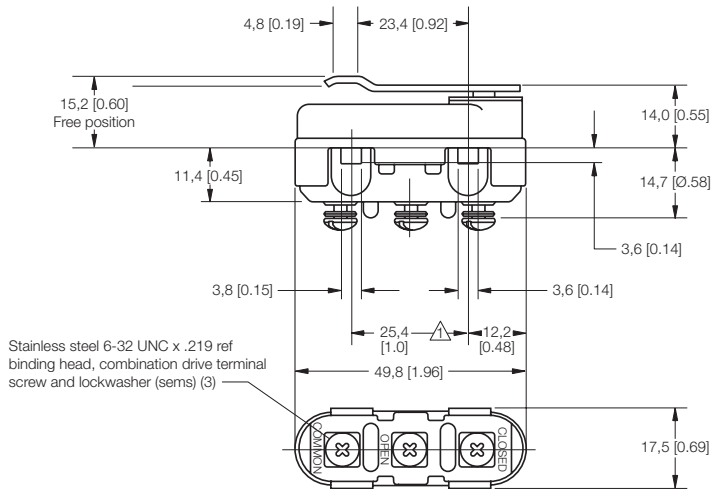
Hermetically Sealed, Premium Large Basic Switches, HS Series

Table 3. Order Guide

Actuator	Catalog Listing	Military Number or Note	Electrical Termination	Electrical Rating (see Table 2)	Temperature Range	Switch Characteristics					
						Operating Force N [oz]	Release Force min. N [oz]	Free Position nom. mm [in]	Pretravel max. mm [in]	Overtravel min. mm [in]	Differential Travel max. mm [in]
Lever	1HS1	MS25011-1	Screws (#6-32)	A [25 A]	-54 °C to 121 °C [-65 °F to 250 °F]	2,78 to 6,12 [10.0 to 22.0]	1,11 [4]	15,24 [0.600]	1,65 [0.065]	0,25 [0.010]	0,51 [0.020]
Lever	101HS1	–	Screws (#6-32)	D [25 A]	-54 °C to 121 °C [-65 °F to 250 °F]	2,78 to 6,12 [10.0 to 22.0]	1,11 [4]	15,24 [0.600]	1,65 [0.065]	0,25 [0.010]	0,51 [0.020]
Lever	102HS1	–	Screws (#6-32)	B [15 A]	-54 °C to 149 °C [-65 °F to 300 °F]	2,78 to 8,34 [10.0 to 30.0]	1,11 [4]	15,24 [0.600]	1,65 [0.065]	0,25 [0.010]	0,51 [0.020]
Lever	1HS6	MS25011-4	Screws (#6-32)	A [25 A]	-54 °C to 121 °C [-65 °F to 250 °F]	6,12 to 7,78 [22.0 to 28.0]	1,11 [4]	15,49 [0.610]	2,16 [0.085]	0,25 [0.010]	0,51 [0.020]
Lever	4HS4-118	–	Leadwire #18 AWG, per MIL-W-22759/9	C [15 A]	-54 °C to 121 °C [-65 °F to 250 °F]	2,78 to 6,12 [10.0 to 22.0]	1,11 [4]	17,78 [0.700]	1,65 [0.065]	0,25 [0.010]	0,51 [0.020]
Extended lever	1HS41	Additional overtravel	Screws (#6-32)	A [25 A]	-54 °C to 121 °C [-65 °F to 250 °F]	1,11 to 5,56 [4.0 to 20.0]	0,56 [2.0]	18,49 [0.728]	4,95 [0.195] approx.	1,57 [0.062]	2,54 [0.100]
Roller lever	1HS3	Slide-by actuation	Screws (#6-32)	A [25 A]	-54 °C to 121 °C [-65 °F to 250 °F]	2,78 to 6,12 [10.0 to 22.0]	1,11 [4]	20,07 [0.790]	1,65 [0.065]	0,25 [0.010]	0,51 [0.020]
Auxiliary roller lever	ADH3721R2	Typical characteristics with a 1HS6	–	–	–	7,78 [28] max.	3,34 [12.0]	46,02 [1.812]	–	6,35 [0.250] approx.	1,17 [0.046]

PRODUCT DIMENSIONS

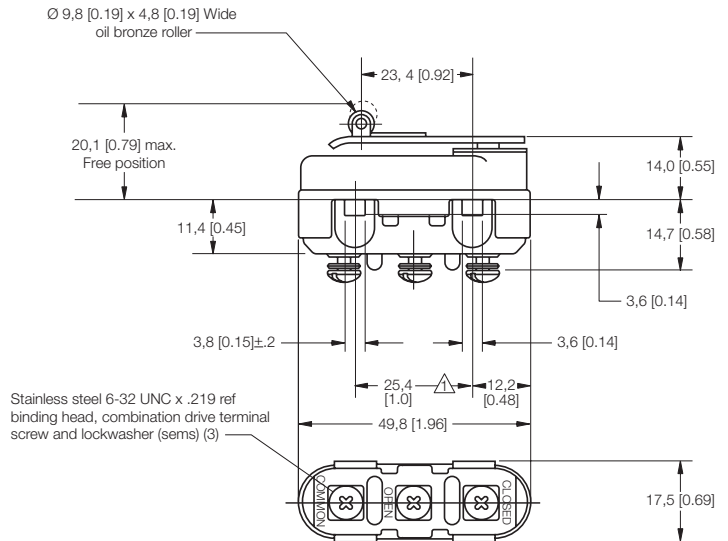
Figure 1. 1HS1 mm [in]



NOTE

▲ Mounting holes will accept pins or screws of Ø 3,53 [0.139] max. dia

Figure 2. 1HS3 mm [in]

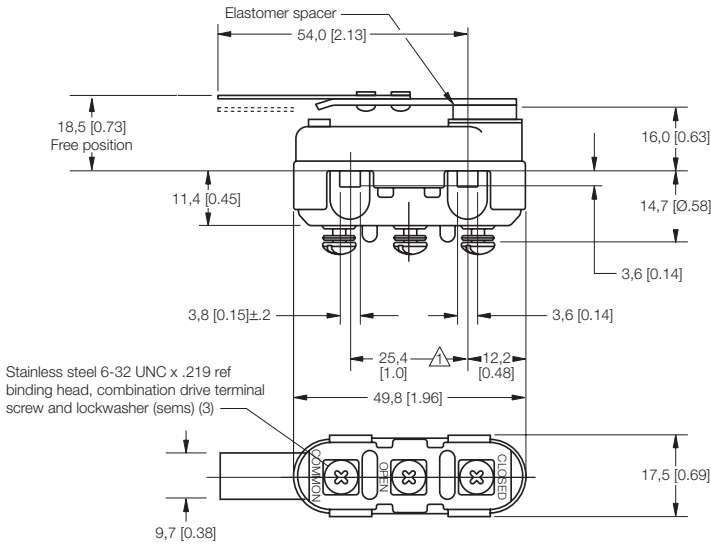


NOTE

▲ Mounting holes will accept pins or screws of Ø 3,53 [0.139] max. dia

Hermetically Sealed, Premium Large Basic Switches, HS Series

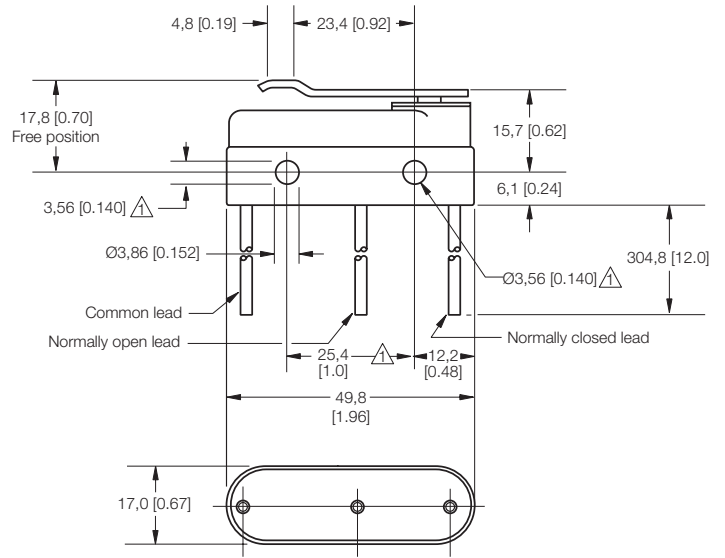
Figure 3. 1HS41 mm [in]



NOTE

△ Mounting holes will accept pins or screws of Ø 3,53 [0.139] max dia

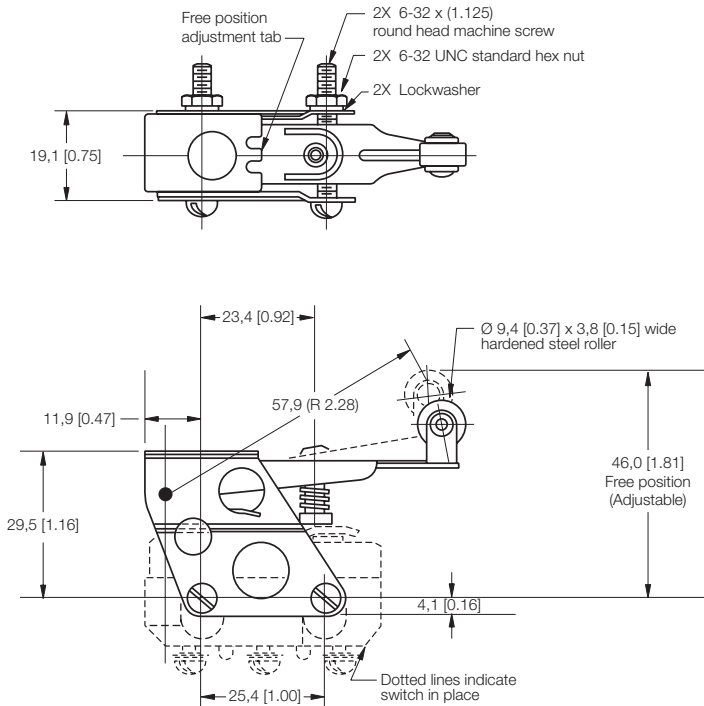
Figure 4. 4HS4-118 mm [in]



NOTE

△ Mounting holes will accept pins or screws of Ø 3,53 [0.139] max dia

Figure 5. ADH3721R2 Lever mm [in]



NOTES

1 Screws, nuts, and lockwashers furnished unassembled

ADDITIONAL MATERIALS

The following associated literature is available on the Honeywell web site at sensing.honeywell.com:

- Product installation instructions
- Aerospace range guide

WARNING **PERSONAL INJURY**

DO NOT USE these products as safety or emergency stop devices or in any other application where failure of the product could result in personal injury.

Failure to comply with these instructions could result in death or serious injury.

WARNING **MISUSE OF DOCUMENTATION**

- The information presented in this product sheet is for reference only. Do not use this document as a product installation guide.
- Complete installation, operation, and maintenance information is provided in the instructions supplied with each product.

Failure to comply with these instructions could result in death or serious injury.

Find out more

Honeywell serves its customers through a worldwide network of sales offices, representatives and distributors. For application assistance, current specifications, pricing or name of the nearest Authorized Distributor, contact your local sales office. To learn more about Honeywell's sensing and control products, call **+1-815-235-6847** or **1-800-537-6945**, visit **sensing.honeywell.com**, or e-mail inquiries to **info.sc@honeywell.com**

Warranty/Remedy

Honeywell warrants goods of its manufacture as being free of defective materials and faulty workmanship. Honeywell's standard product warranty applies unless agreed to otherwise by Honeywell in writing; please refer to your order acknowledgement or consult your local sales office for specific warranty details. If warranted goods are returned to Honeywell during the period of coverage, Honeywell will repair or replace, at its option, without charge those items it finds defective. **The foregoing is buyer's sole remedy and is in lieu of all other warranties, expressed or implied, including those of merchantability and fitness for a particular purpose. In no event shall Honeywell be liable for consequential, special, or indirect damages.**

While Honeywell may provide application assistance personally, through our literature and the Honeywell web site, it is up to the customer to determine the suitability of the product in the application.

Specifications may change without notice. The information we supply is believed to be accurate and reliable as of this printing. However, we assume no responsibility for its use.

Honeywell Sensing and Productivity Solutions

9680 Old Bailes Road
Fort Mill, SC 29707
honeywell.com

003128-1-EN IL50 GLO
July 2016
© 2016 Honeywell International Inc. All rights reserved.

Honeywell

X-ON Electronics

Largest Supplier of Electrical and Electronic Components

Click to view similar products for [Basic / Snap Action Switches](#) category:

Click to view products by [Honeywell](#) manufacturer:

Other Similar products are found below :

[5SM901-S12](#) [5SM9-S12N195](#) [602EN532](#) [602EN535-RB](#) [602HE5-RB1](#) [604HE162](#) [604HE223-6B](#) [624HE17-RB](#) [6HM82](#) [6HM89](#) [6SE1](#)
[6SX1-H58](#) [70500216](#) [70599106](#) [MBD5B1](#) [MBH2731](#) [73-316-0012](#) [EXD-AR20](#) [79211923](#) [79218589](#) [7AS12](#)
[MIL30126AB6BBMD4A12XAU](#) [ML-1155](#) [ML-1376](#) [831010C3.0](#) [831090C2.EL](#) [83131904](#) [84212012](#) [8AS239](#) [8HM73-3](#) [8SX26-H33](#)
[914CE1-6G](#) [PL-100](#) [11SM1077-H4](#) [11SM1077-H58](#) [11SM1-TN107](#) [11SM405](#) [11SM8423-H2](#) [11SX37-T](#) [11SX48-H58](#) [11SM2442-T](#)
[11SM76-T](#) [11SM77-H58](#) [11SM77-T](#) [11SM863-T](#) [11SM866](#) [A7CN-1M-1-LEFT](#) [A831700C7.0](#) [121EN187-R](#) [121EN188-R](#)