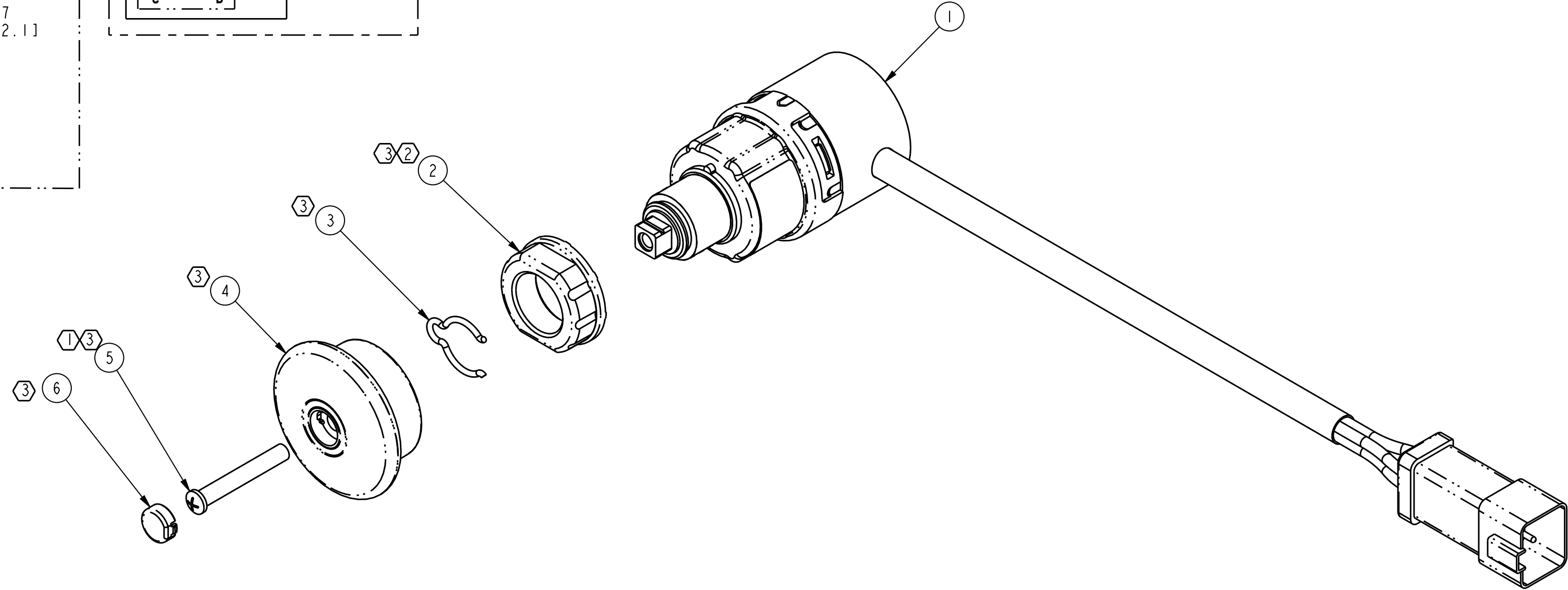
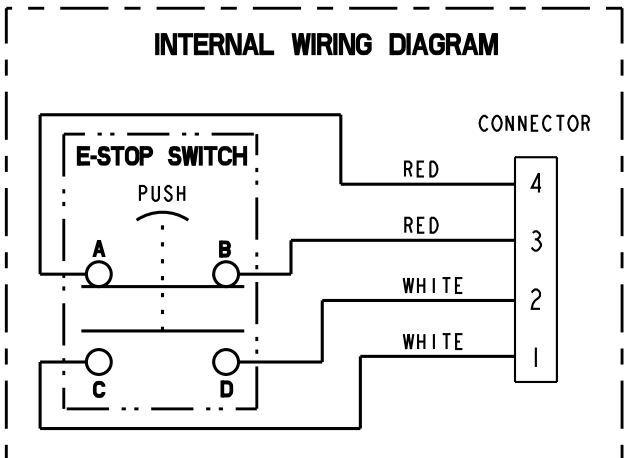
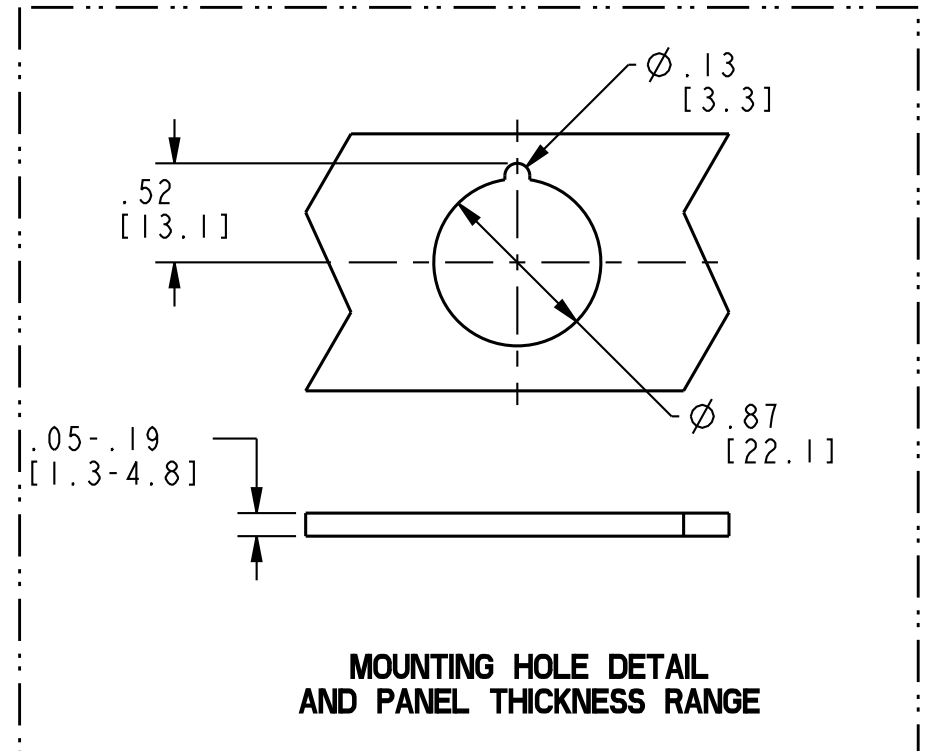
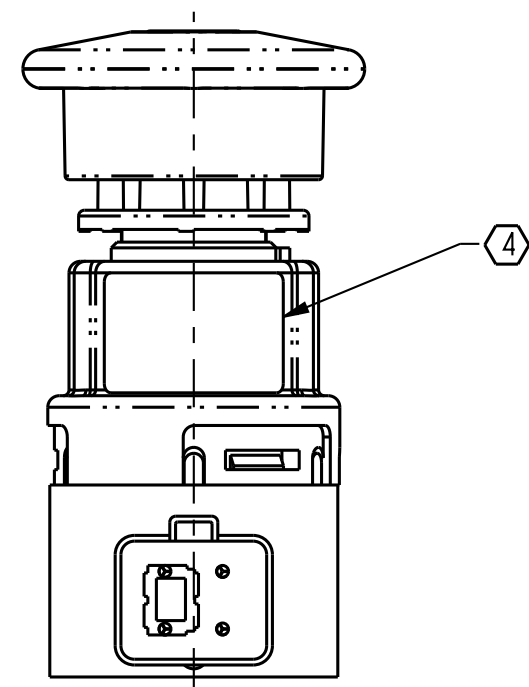
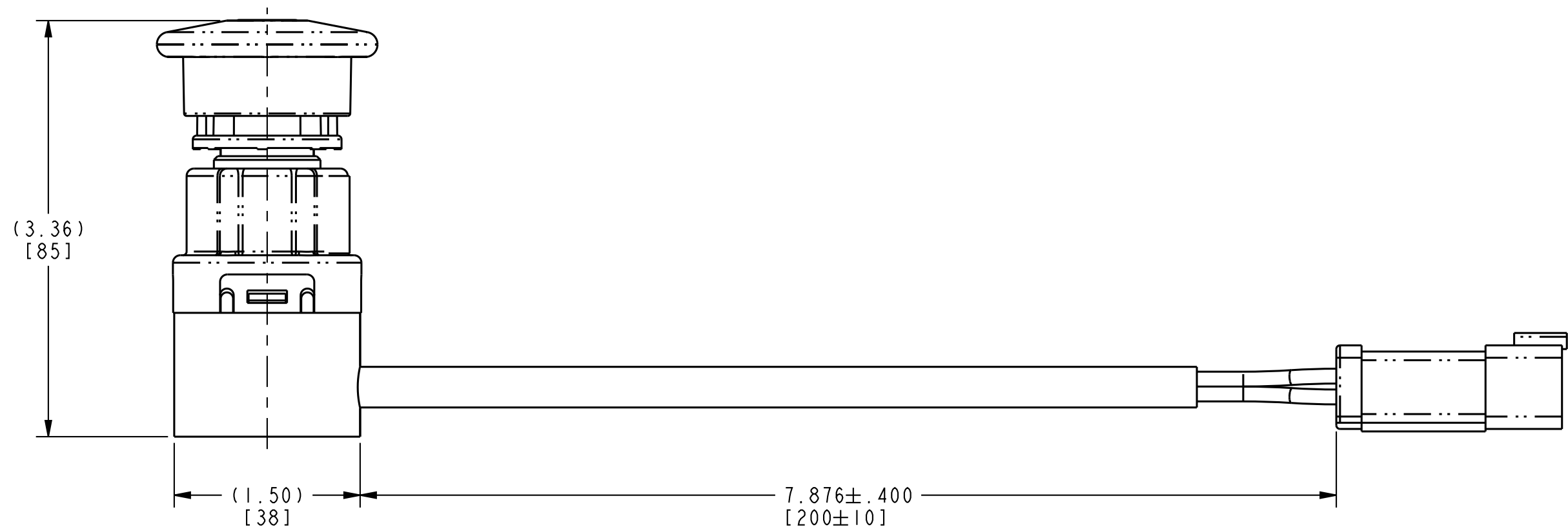


REV	DOCUMENT	CHANGED BY	CHECK
B	0081888	SJK 20SEP11	CMH

HONEYWELL PART NUMBER
50058830-001



- NOTES:
- ① - TORQUE SCREW TO 1.5±0.2 Nm.
 - ② - TORQUE MOUNTING NUT TO 5±0.5 Nm.
 - ③ - ITEMS NOT INSTALLED, REFERENCE PACK INCLUDED SEPARATE.
 - ④ - LABEL TO CONTAIN: CUSTOMER PART NUMBER, CHANGE LEVEL, SCHEMATIC, HONEYWELL NAME, DATE OF MANUFACTURING AND PLACE OF MANUFACTURING "MEXICO".

DESIGN UNITS: INCH[MM]
TOLERANCES UNLESS NOTED:

NO PLACES	x	±	.040
ONE PLACE	.x	±	.030
TWO PLACE	.xx	±	.010
THREE PLACE	.xxx	±	.005
ANGLES	x	±	2'

THIRD ANGLE PROJECTION

DRAWN	DJS	04MAY11
CHECK	LK	04MAY11
THIS DRAWING COVERS A PROPRIETARY ITEM AND IS THE PROPERTY OF HONEYWELL. THIS DRAWING IS NOT TO BE COPIED OR USED WITHOUT THE PERMISSION OF HONEYWELL.		
INTERPRET PER ASME Y14.5M-1994 OTHER HONEYWELL ENGINEERING STANDARDS MAY APPLY		
Pro/ENGINEER 3D		

Honeywell			
TITLE SWITCH ASSEMBLY, PUSH/PULL			
SIZE	TYPE	CAGE CODE	DRAWING NAME
C	I		50058830
SCALE	1:1	SHEET	1 OF 1

CUSTOMER PRINT

X-ON Electronics

Largest Supplier of Electrical and Electronic Components

Click to view similar products for [Control Switches](#) category:

Click to view products by [Honeywell](#) manufacturer:

Other Similar products are found below :

[80887-99](#) [80932-99](#) [86855-00](#) [88814-30](#) [1424293-1](#) [HW4S-2TC10](#) [89721-12](#) [89804-08](#) [SSN](#) [RL01801](#) [ASD2L20N-LVO](#) [50051857-17](#)
[50099156-001-05](#) [51.155R-15200](#) [50058920-26](#) [CP-FA51](#) [CP-FA49](#) [ACCU-SC/L-3000](#) [PP9M](#) [PP87G](#) [PP86GA](#) [PP74G](#) [PP73M](#) [PP73G](#)
[PP71G](#) [PP70G](#) [PP6G](#) [PP62G](#) [PP58BL](#) [PP56G](#) [PP86GB](#) [PP77GA](#) [PP76G](#) [PP4M](#) [PP47G](#) [PP46G](#) [PP41M](#) [PP40G](#) [PP32G](#) [RD-20](#) [PP23M](#)
[PP14M](#) [PP12G](#) [RD-40](#) [PORTAPRO](#) [PNB-2005](#) [3057.0012](#) [CV-075](#) [CV-140SB](#) [CV-150](#)