

MICRO SWITCH

A DIVISION OF MONTROVILL HONEYWELL REGULATORS COMPANY
FREDERICK, MICHIGAN

FED. MFR. CODE 91929

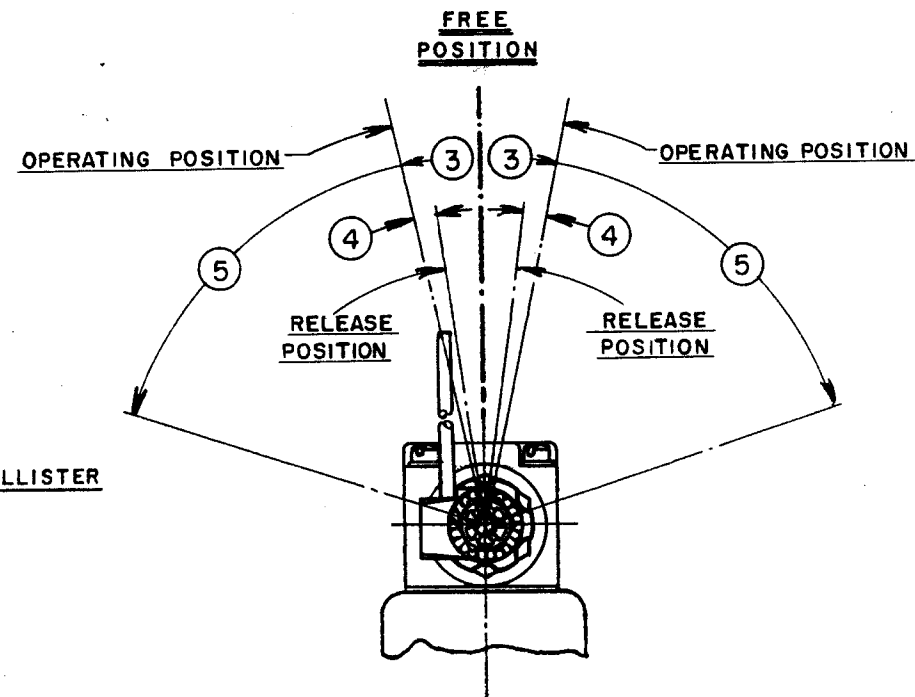
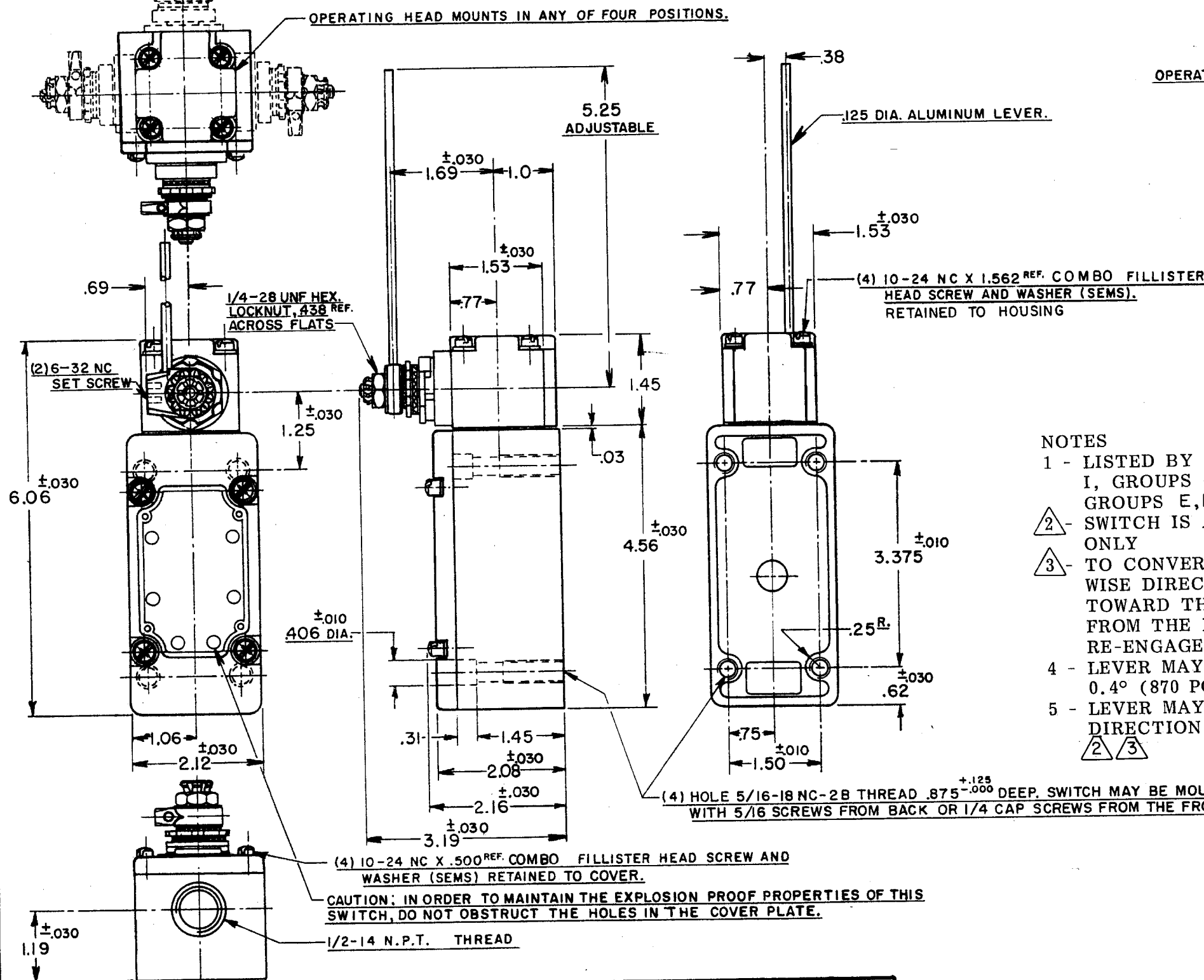
SWITCH — ENCLOSED

CATALOG LISTING
51ML10-E1

THIS DRAWING COVERS A PROPRIETARY ITEM AND IS THE PROPERTY OF MICRO SWITCH, A DIVISION OF HONEYWELL. THIS DRAWING IS NOT TO BE COPIED OR USED WITHOUT THE APPROVAL OF MICRO SWITCH.



REPLACES: 51ML10-E1
RELEASE NO. SR 5069
DRAWING NUMBER: M 51ML10-E1
ISSUE: 12
REVISIONS:
A C052194 J A P 26 SEPT 83
B C058367 J A S 11 NOV 85
C 655051-C T A D 6 JAN 86
D CO 63739 D J S 15 JUN 88
E C074287 G J W 17 APR 93
CHECK: 30 SEPT 83
DRAWN: J A P 26 SEPT 83



- NOTES
- 1 - LISTED BY UNDERWRITERS LABORATORY, INC. FOR USE IN CLASS I, GROUPS C AND D VAPOR-AIR ATMOSPHERE, AND CLASS 2, GROUPS E, F AND G DUST-AIR ATMOSPHERE
 - 2 - SWITCH IS ASSEMBLED FOR ACTUATION IN CLOCKWISE DIRECTION ONLY
 - 3 - TO CONVERT SWITCH FOR ACTUATION IN THE COUNTER-CLOCKWISE DIRECTION ONLY, REMOVE THE HEAD AND SLIDE THE CAM TOWARD THE REAR OF THE HEAD SUFFICIENTLY TO DISENGAGE FROM THE FLATS ON THE SHAFT. ROTATE THE CAM 180° AND RE-ENGAGE THE CAM WITH THE FLATS ON THE SHAFT
 - 4 - LEVER MAY BE POSITIVELY LOCKED AT INTERVALS OF APPROX 0.4° (870 POSITIONS)
 - 5 - LEVER MAY BE ADJUSTED TO ACTUATE IN THE CLOCKWISE DIRECTION ONLY OR THE COUNTER-CLOCKWISE DIRECTION ONLY
 - 7 - IT IS ESSENTIAL THAT THE CONDUIT OPENING BE PROPERLY SEALED IN ORDER TO MAINTAIN THE EXPLOSION PROOF PROPERTIES

| CHARACTERISTICS | ELECTRICAL DATA | SCALE 1/2 TO 1 |
|--------------------------------------|--|----------------------------|
| OPERATING FORCE ——— 5 OZ. MAX. | CONTACT ARRANGEMENT | DO NOT SCALE PRINT |
| FULL OVERTRAVEL FORCE ——— 7 OZ. MAX. | S. P. D. T. | UNLESS OTHERWISE SPECIFIED |
| RELEASE FORCE ——— 3/4 OZ. MIN. | | DIMENSIONS ARE IN INCHES |
| PRETRAVEL ——— ③ 12° MAX. | 20 A-120, 240 OR 480 VAC; 3/4 H.P.-120 VAC | TOLERANCES ARE: |
| DIFFERENTIAL TRAVEL ——— ④ 4° MAX. | 1 1/2 H.P.-240 VAC; 1/2 A-115 VDC; 1/4 A-230 VDC | ONE PLACE (.0) ±.030 |
| OVERTRAVEL ——— ⑤ 60° MIN. | PILOT DUTY: 720VA-HEAVY DUTY 600 VAC MAX | TWO PLACE (.00) ±.015 |
| SWITCH-BASIC REPLACEMENT — IMK5 | | THREE PLACE (.000) ±.005 |
| | | ANGLES ± |
| | | WEIGHT |

X-ON Electronics

Largest Supplier of Electrical and Electronic Components

Click to view similar products for [Limit Switches](#) category:

Click to view products by [Honeywell](#) manufacturer:

Other Similar products are found below :

[5ML1-E1](#) [5ML31](#) [LZG1](#) [LZL1-6C](#) [622EN114-R](#) [622EN18-6](#) [622EN224-6B](#) [622EN230](#) [622EN237-R](#) [622EN69-3](#) [622EN85-RB](#) [MA-10019](#)
[6PA109](#) [7LS51](#) [83547001](#) [83725002](#) [83830001](#) [83840701](#) [83841001](#) [83881140](#) [8AS42](#) [8LS10](#) [8LS125-4PG](#) [8LS152-4PGN20](#) [914CE16-](#)
[3A](#) [914CE3-3L1](#) [915PA10](#) [91MCE16-P2O](#) [924CE16-Y3](#) [924CE1-S6](#) [924CE1-T25A](#) [924CE1-T3](#) [924CE1-T9A](#) [924CE2-T9](#) [924CE31-Y20-](#)
[X5](#) [924CE31-Y3L1](#) [GL-10054](#) [GLAB26J2B](#) [GLDB03C-6](#) [GLDC05C](#) [GLZ324](#) [PS21R-NT11N7-YK0](#) [H3141CAKAA](#) [RDI-G-L5B](#) [DD-](#)
[10000](#) [DT-2R3-A7](#) [14CE16-3N28](#) [14CE18-N15](#) [151ML3-E1](#) [E3102BAAAA](#)