

MICRO SWITCH

A DIVISION OF HONEYWELL-ROBERTSON COMPANY
FED. MFR. CODE 91929

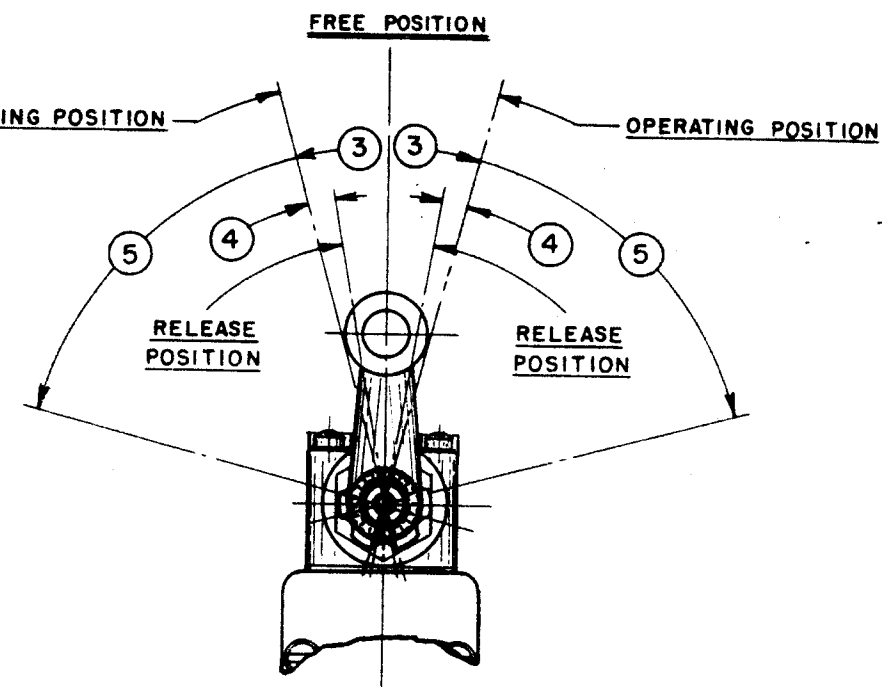
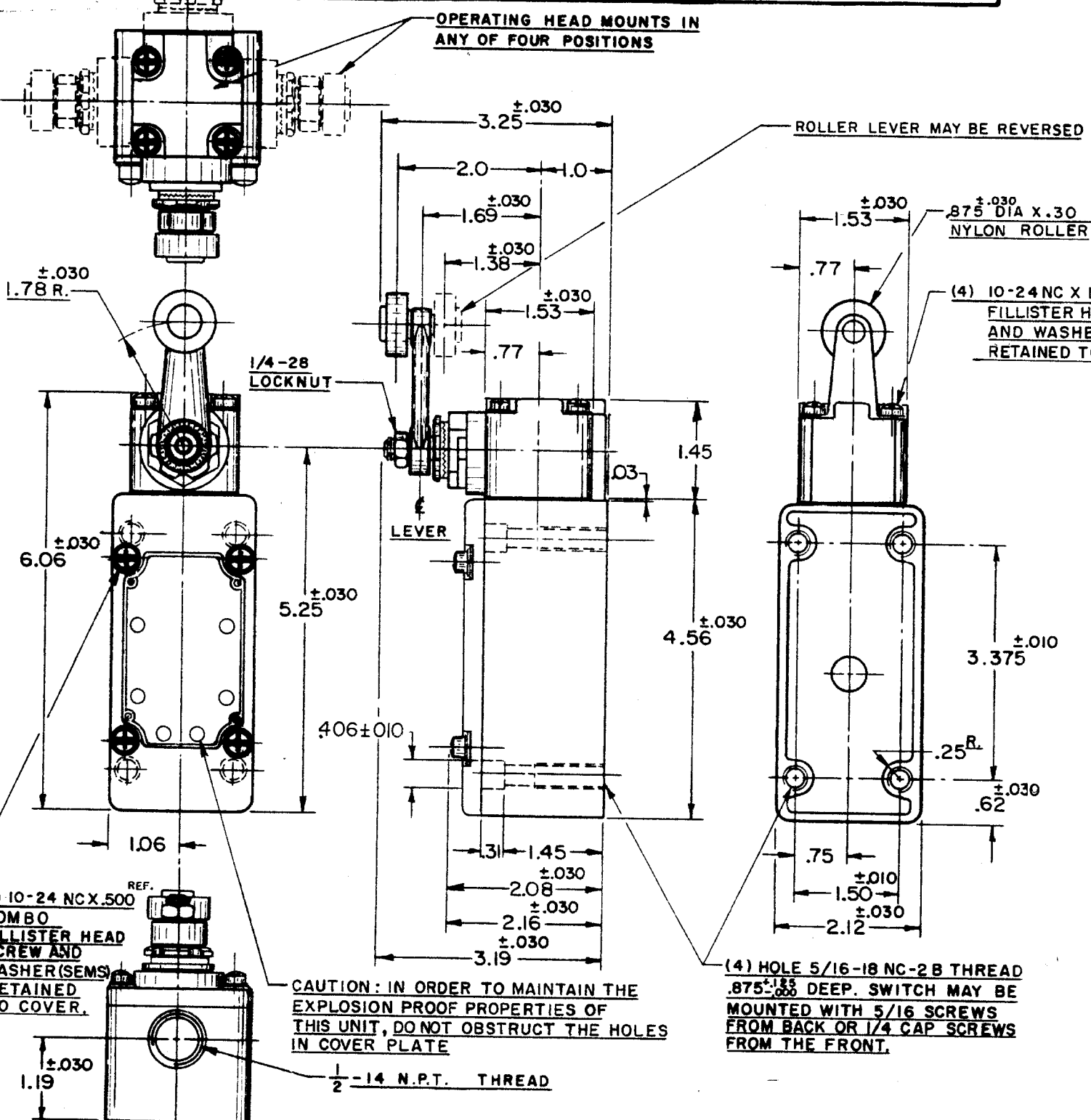
SWITCH - ENCLOSED

CATALOG LISTING
51ML1-E1

THIS DRAWING COVERS A PROPRIETARY ITEM AND IS THE PROPERTY OF MICRO SWITCH, A DIVISION OF HONEYWELL. THIS DRAWING IS NOT TO BE COPIED OR USED WITHOUT THE APPROVAL OF MICRO SWITCH.



(M) 51ML1-E1
 ISSUE 3
 REPLACES
51ML1-E1
 DRAWING NUMBER
M
 ISSUE
15
 CHECK K.F.M. 10 APR 58
 RELEASE NO.
 CHECK J.W.M. 10 APR 58
 REVISIONS
 A CO11247 O.M.W. 13 MAR 58
 B CORR. O.M.W. MAY 58
 C CO12789 M.B.F. 19 MAY 58
 D CO13022 M.B.F. 13 AUG 58
 E CO18841 O.M.W. 5 NOV 64
 F CO20578 M.B.F. DEC 68
 G CO24575 M.B.S. 10 SEP 68
 H CO52194 G.J.W. 23 SEP 83
 J CO58367 JAS. 11 NOV 85
 K CO58051-C O.M.W. 13 MAR 58
 L CO63738
 M 074287
 O.M.W. 13 MAR 58



- NOTES
- LISTED BY UNDERWRITERS LABORATORY, INC. FOR USE IN CLASS 1, GROUPS C AND D VAPOR - AIR ATMOSPHERE, AND CLASS 2 GROUPS E, F AND G DUST - AIR ATMOSPHERES
 - SWITCH IS ASSEMBLED FOR ACTUATION IN EITHER DIRECTION TO CONVERT SWITCH FOR ACTUATION EITHER IN THE CLOCKWISE OR THE COUNTERCLOCKWISE DIRECTION ONLY, REMOVE THE HEAD AND SLIDE THE CAN TOWARD THE REAR OF THE HEAD SUFFICIENTLY TO DISENGAGE FROM THE FLATS ON THE SHAFT. ROTATE THE CAM 90° IN THE OPPOSITE DIRECTION OF THE ACTUATION DESIRED AND RE-ENGAGE THE CAM WITH THE FLATS ON THE SHAFT LEVER MAY BE POSITIVELY LOCKED AT INTERVALS OF APPROX 0.4° (870 POSITIONS)
 - LEVER MAY BE ADJUSTED TO ACTUATE THE SWITCH IN THE CLOCKWISE DIRECTION ONLY, THE COUNTER-CLOCKWISE DIRECTION ONLY, OR IN BOTH DIRECTIONS
 - IT IS ESSENTIAL THAT THE CONDUIT OPENING BE PROPERLY SEALED IN ORDER TO MAINTAIN THE EXPLOSION PROOF PROPERTIES

CHARACTERISTICS	ELECTRICAL DATA	SCALE 1/2 TO 1
OPERATING FORCE ----- 3 LBS. MAX.	CONTACT ARRANGEMENT S. P. D. T.	DO NOT SCALE PRINT
FULL OVERTRAVEL FORCE ----- 4 LBS. MAX.	(C) 20A-120, 240 OR 480 VAC; 3/4 H.P.-120 VAC 1 1/2 H.P.-240 VAC; 1/2 A-115 VDC; 1/4 A-230 VDC PILOT DUTY; 720VA-HEAVY DUTY 600 VAC MAX 	UNLESS OTHERWISE SPECIFIED DIMENSIONS ARE IN INCHES TOLERANCES ARE:
RELEASE FORCE ----- 1/4 LB. MIN.		ONE PLACE (.0) ±.030
PRETRAVEL ----- (3) --- 12° MAX.		TWO PLACE (.00) ±.015
DIFFERENTIAL TRAVEL ----- (4) --- 4° MAX.		THREE PLACE (.000) ±.008
OVERTRAVEL ----- (5) --- 60° MIN.		ANGLES ±
SWITCH-BASIC REPLACEMENT ----- 1MK1	WEIGHT	

X-ON Electronics

Largest Supplier of Electrical and Electronic Components

Click to view similar products for [Limit Switches](#) category:

Click to view products by [Honeywell](#) manufacturer:

Other Similar products are found below :

[5ML1-E1](#) [5ML31](#) [LZG1](#) [LZL1-6C](#) [622EN114-R](#) [622EN18-6](#) [622EN224-6B](#) [622EN230](#) [622EN237-R](#) [622EN69-3](#) [622EN85-RB](#) [MA-10019](#)
[6PA109](#) [7LS51](#) [83547001](#) [83725002](#) [83830001](#) [83840701](#) [83841001](#) [83881140](#) [8AS42](#) [8LS10](#) [8LS125-4PG](#) [8LS152-4PGN20](#) [914CE16-](#)
[3A](#) [914CE3-3L1](#) [915PA10](#) [91MCE16-P2O](#) [924CE16-Y3](#) [924CE1-S6](#) [924CE1-T25A](#) [924CE1-T3](#) [924CE1-T9A](#) [924CE2-T9](#) [924CE31-Y20-](#)
[X5](#) [924CE31-Y3L1](#) [GL-10054](#) [GLAB26J2B](#) [GLDB03C-6](#) [GLDC05C](#) [GLZ324](#) [PS21R-NT11N7-YK0](#) [H3141CAKAA](#) [RDI-G-L5B](#) [DD-](#)
[10000](#) [DT-2R3-A7](#) [14CE16-3N28](#) [14CE18-N15](#) [151ML3-E1](#) [E3102BAAAA](#)