

MICRO SWITCH

A DIVISION OF BOSTON-BASED HONEYWELL REGULATORY COMPANY
BOSTON, MASSACHUSETTS

FED. MFR. CODE 91929

SWITCH — ENCLOSED

CATALOG LISTING

51ML72

THIS DRAWING COVERS A PROPRIETARY ITEM AND IS THE PROPERTY OF MICRO SWITCH A DIVISION OF HONEYWELL THIS DRAWING IS NOT TO BE COPIED OR USED WITHOUT THE APPROVAL OF MICRO SWITCH

51ML72

M

DRAWING NUMBER

12

ISSUE

8

REVISIONS

A CO10054

AA S 25 NOV 55

B CORR

KFM 8 FEB 58

C CO10847

O.M.W. 18 JULY 58

D CO11247

O.M.W. 5 MAR 58

E CO13487

M.B.F. 10 MAR 59

F CO14233

M.B.F. 30 DEC 59

G CO22643

D.W.C. 21 MAR 67

H CO 52194-D

TSK 23 SEPT 83

J CO55094-B

J.A.P. 17 DEC 84

K CO58909

TSK 23 JAN 86

L CO74287

O.M.W. 21 APR 93

REPLACES

SR 4534

RELEASE NO

31 MAY 55

CHECK

17

CHECK

27 MAY 55

CHECK

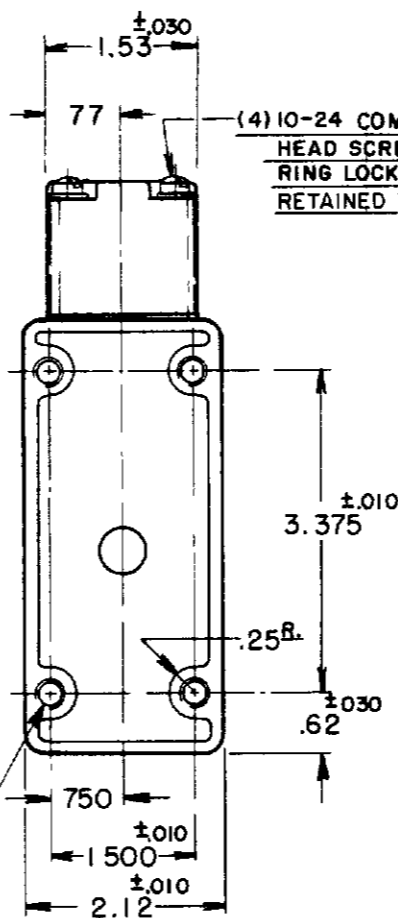
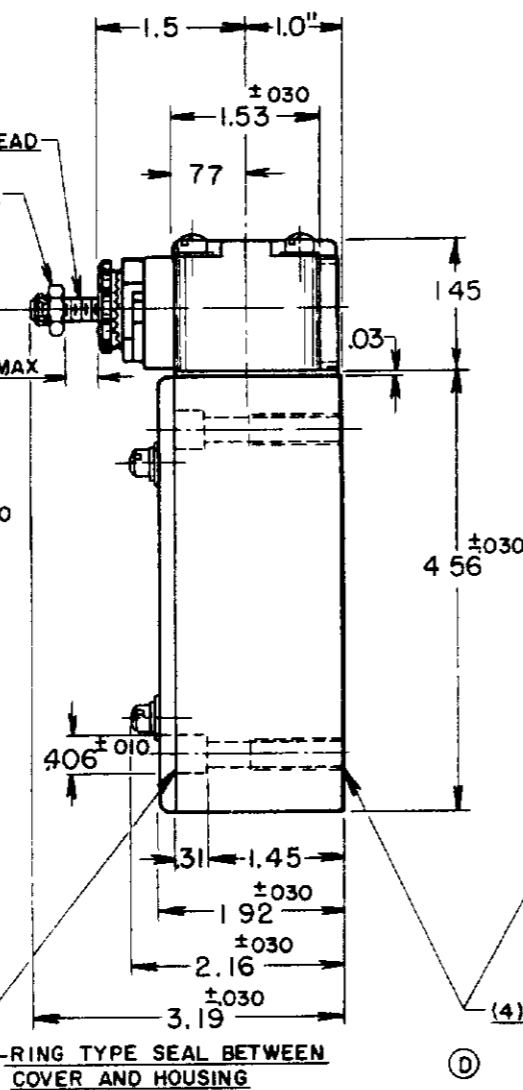
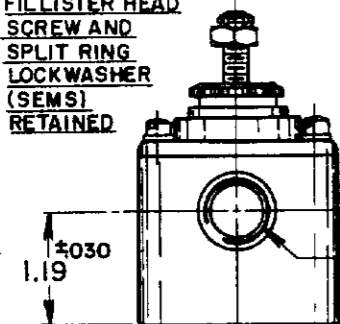
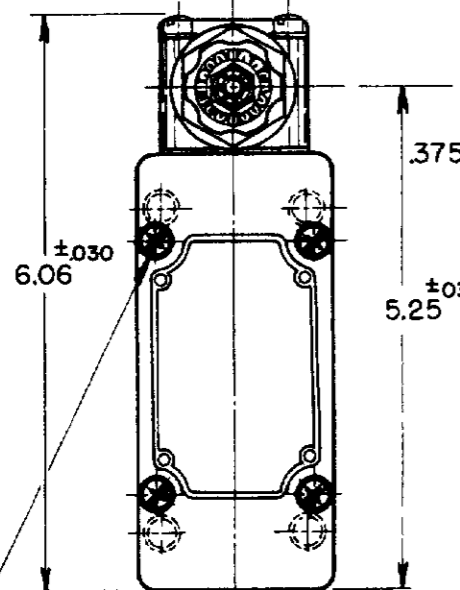
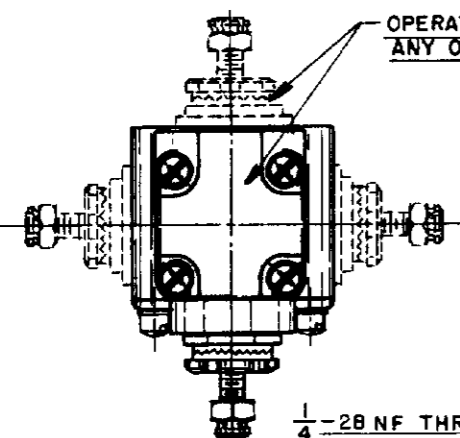
30 DEC 59

CHECK

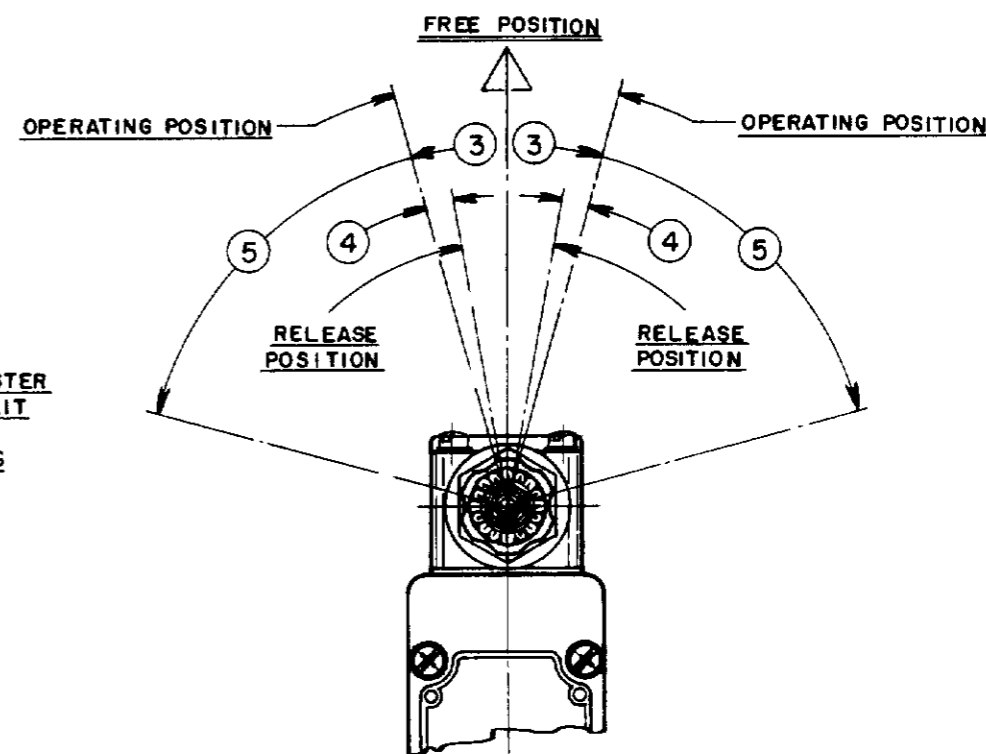
23 JAN 86

CHECK

21 APR 93



(4) HOLE 5/16-18 NC-2B THREAD .875 ±.005 DEEP. SWITCH MAY BE MOUNTED WITH 5/16 SCREWS FROM BACK OR 1/4 CAP SCREWS FROM THE FRONT



NOTES

- 1 SWITCH IS ASSEMBLED FOR ACTUATION IN EITHER DIRECTION TO CONVERT SWITCH FOR ACTUATION EITHER CLOCKWISE OR COUNTER-CLOCKWISE DIRECTION ONLY, REMOVE THE HEAD AND SLIDE THE CAM TOWARD THE REAR OF THE HEAD SUFFICIENTLY TO DISENGAGE FROM THE FLATS ON THE SHAFT. ROTATE THE CAM 90° IN THE OPPOSITE DIRECTION OF THE ACTUATION DESIRED AND RE-ENGAGE THE CAM WITH THE FLATS ON THE SHAFT
- 2
- 3 - SHAFT MAY BE ADJUSTED TO ACTUATE THE SWITCH IN THE CLOCKWISE DIRECTION ONLY, THE COUNTER-CLOCKWISE DIRECTION ONLY OR IN BOTH DIRECTIONS
- 4 - IT IS ESSENTIAL TO PREVENT ENTRANCE OF HARMFUL AGENTS THRU THE CONDUIT OPENING TO OBTAIN FULL BENEFIT OF THE SEALED CONSTRUCTION PROVIDED IN THIS UNIT
- 5 BASIC SWITCHING ELEMENT LISTED BY UNDERWRITERS' LABORATORIES, INC.

CHARACTERISTICS

OPERATING TORQUE - 5 11/32 LB. IN. MAX.
 RELEASE TORQUE - 7/16 LB. IN. MIN.
 PRETRAVEL - (A) (3) 20° MAX.
 DIFFERENTIAL TRAVEL - (A) (4) 15° MAX.
 OVERTRAVEL - (A) (5) 50° MIN.
 FULL OVERTRAVEL TORQUE - 7 1/8 LB. IN. MAX.
 SWITCH-BASIC REPLACEMENT DT-2R711-A7

ELECTRICAL DATA

CONTACT ARRANGEMENT D. P. D. T
 BREAK DISTANCE .020 MIN

10 A-125 OR 250 VAC
 0.3 A-125 VDC, 0.15 A-250 VDC

SCALE 1/2 TO 1

DO NOT SCALE PRINT

UNLESS OTHERWISE SPECIFIED DIMENSIONS ARE IN INCHES
TOLERANCES ARE:

ONE PLACE (0) ±.030
 TWO PLACE (00) ±.015
 THREE PLACE (000) ±.008
 ANGLES ±

WEIGHT

74-863

DRAWN

R. G. C

21, MAY 55

X-ON Electronics

Largest Supplier of Electrical and Electronic Components

Click to view similar products for [Limit Switches](#) category:

Click to view products by [Honeywell](#) manufacturer:

Other Similar products are found below :

[5ML1-E1](#) [5ML31](#) [LZG1](#) [LZL1-6C](#) [622EN114-R](#) [622EN18-6](#) [622EN224-6B](#) [622EN230](#) [622EN237-R](#) [622EN69-3](#) [622EN85-RB](#) [MA-10019](#)
[6PA109](#) [7LS51](#) [83547001](#) [83725002](#) [83830001](#) [83840701](#) [83841001](#) [83881140](#) [8AS42](#) [8LS10](#) [8LS125-4PG](#) [8LS152-4PGN20](#) [914CE16-](#)
[3A](#) [914CE3-3L1](#) [915PA10](#) [91MCE16-P2O](#) [924CE16-Y3](#) [924CE1-S6](#) [924CE1-T25A](#) [924CE1-T3](#) [924CE1-T9A](#) [924CE2-T9](#) [924CE31-Y20-](#)
[X5](#) [924CE31-Y3L1](#) [GL-10054](#) [GLAB26J2B](#) [GLDB03C-6](#) [GLDC05C](#) [GLZ324](#) [PS21R-NT11N7-YK0](#) [H3141CAKAA](#) [RDI-G-L5B](#) [DD-](#)
[10000](#) [DT-2R3-A7](#) [14CE16-3N28](#) [14CE18-N15](#) [151ML3-E1](#) [E3102BAAAA](#)