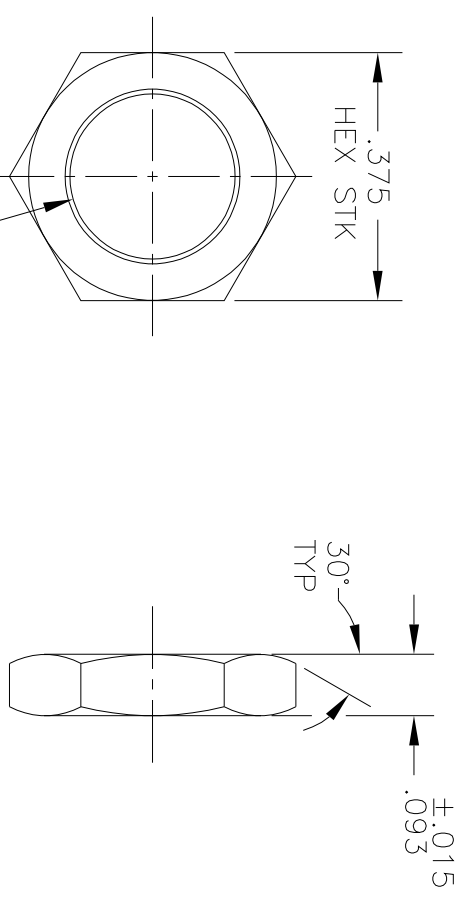


DWG. No. 606072 1 SH 1 REV D

REVISIONS

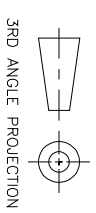
REV	DESCRIPTION	DATE	APPROVAL
D4	REDRAWN WITHOUT CHANGE	8/20/98	EG

- NOTES:
1. SURFACES: ALL SURFACES TO HAVE 125 MICROFINISH OR BETTER & FREE FROM VISUABLE CHATTER MARKS, BURRS, AND SHARP EDGES.
 2. FINISH: PASSIVATE ENTIRE LOCKNUT, MATTE FINISH FOR APPEARANCE ONLY.



THIS IS A COMPUTER GENERATED DRAWING
MANUAL REVISIONS WILL NOT BE RECORDED

UNLESS OTHERWISE SPECIFIED DIMENSIONS ARE IN INCHES		DO NOT SCALE DRAWING		DRAWN		MDT		4/13/76		ELECTRO CORPORATION		TITLE		
.XXX DECIMAL ± .010		THIS DOCUMENT IS THE PROPERTY OF ELECTRO CORPORATION AND MAY NOT BE REPRODUCED EITHER IN FULL OR IN PART WITHOUT WRITTEN APPROVAL BY ELECTRO CORPORATION.		CHKD.	DEA	5/4/76					LOCKNUT 1/4-40			
.XX DECIMAL ± .03				ENGR.	RJM	5/5/76								
FRACTIONS ± 1/32				MFG.										
ANGLES ± 5°				Q.C.										
RUNOUT .008 FIM				SPEC. CONT.										
125/RMS OR BETTER ON MACHINED PARTS.				SIZE	B	FSCM NO.	81692	DWG. NO.	606072	SHEET	1	OF	1	
BREAK SHARP CORNERS .005/.015 NO BURRS				SCALE	4:1	DRAWING INTERPRETATION PER ANSI Y14.5M-1982								



X-ON Electronics

Largest Supplier of Electrical and Electronic Components

Click to view similar products for [Sensor Fixings & Accessories](#) category:

Click to view products by [Honeywell](#) manufacturer:

Other Similar products are found below :

[F03-01 SUS304 BINIL](#) [8000-5130](#) [FH-AP1](#) [PH-1-10M](#) [PH-1-20M](#) [PH-2-30M](#) [AC201](#) [R4](#) [ADI-LC3S](#) [EC18-WELL](#) [PBT420-100R](#) [PC-15015](#) [K35-4](#) [A-1923](#) [SS-12143](#) [STA12](#) [AP4-T](#) [PH-1-50M](#) [R6](#) [D01051301](#) [43912557-020](#) [MF-1 D=3.2](#) [BGN-035](#) [E39-L7](#) [ZX-SB11](#) [D01070602](#) [606072](#) [606075](#) [Y92ES12PVC4A10ML](#) [Y92ES12PVC4S5ML](#) [SA9Z-F11](#) [Z49-SF1](#) [ZFV-XMF2](#) [E4R-R12A-CS3M010](#) [28810-2](#) [ZX-SW11E V3](#) [CCS-PL-LDR2-70](#) [E4R-R12A-CS3M020](#) [BS-1T CHITAN](#) [F03-01 CHITAN](#) [CCS-PD2-1012](#) [ZX-SFW11E V3](#) [PH-2-90M](#) [PH-2-5M](#) [XMLZL008](#) [AC244](#) [28810-1](#) [PH-1-40M](#) [SS-12225](#) [32043-500](#)