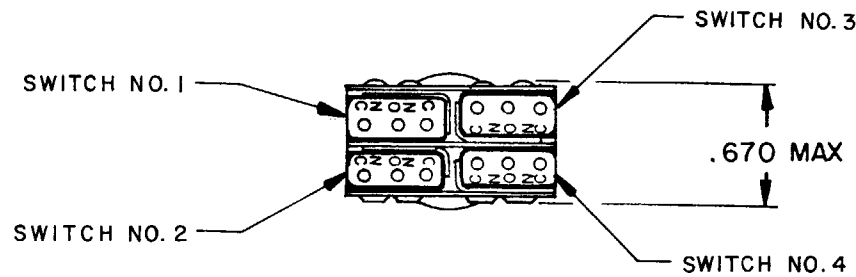
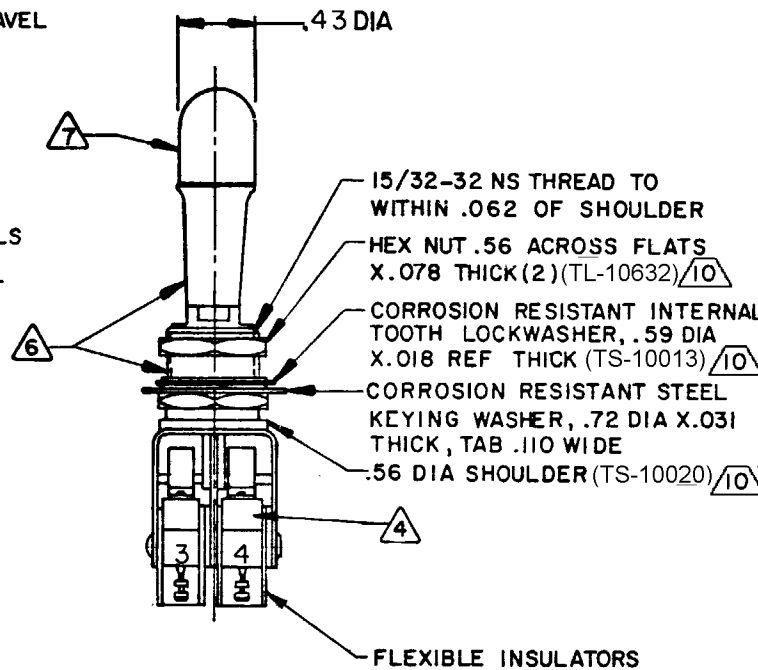
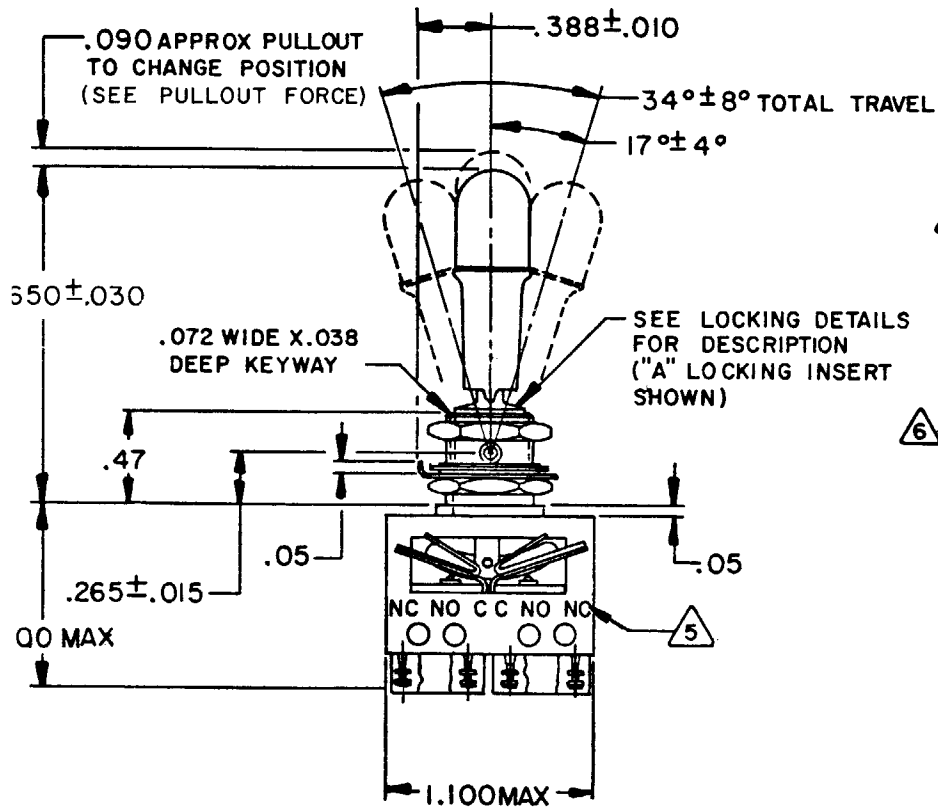


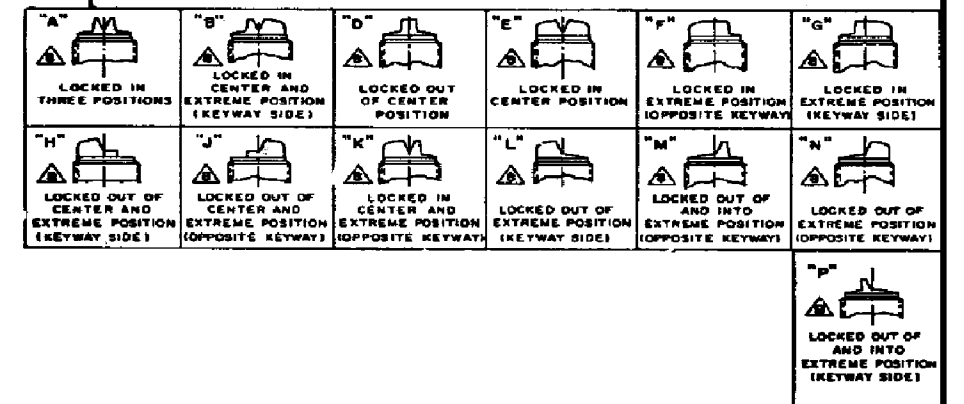
HONEYWELL  
PART NUMBER  
64 AT11 SERIES CHART 2

REV	DOCUMENT	CHANGED BY	CHECK
20	0012331	KSR 07APR05	AK



64AT11-IA 64AT11-ID 64AT11-IL 64AT11-5K 64AT11-5L 64AT11-7E 64AT11-3D	FAA-PMA FAA-PMA FAA-PMA FAA-PMA FAA-PMA FAA-PMA FAA-PMA	CATALOG LISTING	KEYWAY POSITION		CENTER POSITION		OPPOSITE KEYWAY POSITION		RECOMMENDED LOCKING COMBINATIONS
			C-NC	C-NO	C-NO	C-NC	C-NC	C-NO	
64AT11-1		1, 2	3, 4	NONE	ALL	3, 4	1, 2	A, B, D, E, F, G, H J, K, L, M, N, P	
64AT11-3		1, 2	3, 4	NONE	NONE	3, 4	1, 2	D, F, G	
64AT11-5		1, 2*	3, 4*	NONE	ALL	3, 4	1, 2	L, N, K	
64AT11-7		1, 2*	3, 4*	NONE	ALL	3, 4*	1, 2*	E, L, N	
64AT11-514		1, 2	3, 4	NONE	ALL	3, 4*	1, 2*	B, E, G, L, N, P	

\* ASTERISK DENOTES MOMENTARY POSITION



- NOTES:
- UNIT INCLUDES "SX" TYPE BASIC SWITCH (4) (MEETS REQUIREMENTS OF MIL-S-6743)
  - SWITCHES DO NOT NECESSARILY OPERATE SIMULTANEOUSLY
  - TERMINALS ARE PLATED FOR SOLDERING
  - SWITCH NUMBERS MARKED ON END OF BASIC SWITCHES
  - TERMINAL DESIGNATION STAMPED ON BOTH SIDES OF UNIT
  - DULL FINISH ON LEVER AND BUSHING
  - FLAT WHITE RESILIENT SILICONE (50 DUROMETER APPROX)
  - SUFFIX LETTER MUST BE ADDED FOR DESIRED TYPE TOGGLE LOCKING (SEE CHART FOR RECOMMENDED LOCKING COMBINATIONS)
  - FOR REPLACEMENT BUTTON SEE MICRO SWITCH CAT. LISTING 15PA90-6W
  - HARDWARE FURNISHED ASSEMBLED WITH SWITCH OR IN PACKET 15PA313-AT PER MIL-PRF-8805
  - REPLACEMENT MOUNTING HARDWARE PACKET 15PA313-AT
  - FOR MANUFACTURING DETAIL SEE THE CORRESPONDING ASSEMBLY DRAWING FOR EACH LISTING FOR FAA-PMA.

ELECTRICAL RATINGS

LOAD	SEA LEVEL		50,000 FT
	28 Vdc (AMPERES)	115 Vac, 60 Hz (AMPERES)	28 Vdc (AMPERES)
RESISTIVE	7	7	4
INDUCTIVE	4	7	2.5

CHARACTERISTICS	ELECTRICAL DATA
PULLOUT FORCE --- 3 LB MIN- 5 LB MAX	CONTACT ARRANGEMENT S P D T (4)

DESIGN UNITS: INCH  
TOLERANCES UNLESS NOTED:  
NO PLACE X ±  
ONE PLACE .X ± 0.030  
TWO PLACE .XX ± 0.015  
THREE PLACE .XXX ± 0.005  
FOUR PLACE .XXXX ±  
ANGLES ±  
THIRD ANGLE PROJECTION

DRAWN	BEN	28OCT74
CHECK	AK	07APR05
THIS DRAWING COVERS A PROPRIETARY ITEM AND IS THE PROPERTY OF HONEYWELL. THIS DRAWING IS NOT TO BE COPIED OR USED WITHOUT THE PERMISSION OF HONEYWELL.		
INTERPRET PER ASME Y14.5M-1994 OTHER HONEYWELL ENGINEERING STANDARDS MAY APPLY		
RASTER		

<b>Honeywell</b>			
TITLE <b>ASSEMBLY - TOGGLE SWITCH</b>			
SIZE	TYPE	DRAWING NAME	REV
<b>B</b>	<b>I</b>	<b>64AT11 SERIES CHART 2</b>	<b>20</b>
SCALE FULL	WEIGHT .09 LB EST	SHEET 1 OF 1	

## X-ON Electronics

Largest Supplier of Electrical and Electronic Components

*Click to view similar products for [Toggle Switches](#) category:*

*Click to view products by [Honeywell](#) manufacturer:*

Other Similar products are found below :

[8928K478](#) [8951K2998](#) [8951K3310](#) [8956K1283](#) [8956K1285](#) [8956K1286](#) [8956K1287](#) [8961K155](#) [8A1-C-222](#) [020017-13](#) [0090-0001](#) [0121-0015](#) [CS115W](#) [CS120W](#) [CS215I](#) [CS8275](#) [637H/25](#) [7101SPDV30BE](#) [7103SDV30BE](#) [7105D](#) [7108P3YAV2BE](#) [71YY50282](#) [7209SY9AQE](#) [7209SYCBE](#) [7300K36](#) [7301K38](#) [7301SS24484](#) [7303KZQE](#) [7306K36](#) [7503K21](#) [7565K6](#) [7595K6](#) [7660K12](#) [7691K14](#) [7704K3](#) [8391K108](#) [8811K17](#) [8825K5](#) [8828K13](#) [8835K3](#) [8858K44](#) [8E4011](#) [1202W](#) [A201SCWZB04](#) [A207SYCB04](#) [A208J61ZQ0004](#) [A221T1TCQ](#) [A232M1YCQ](#) [A323S1CWZQ](#) [1201W](#)