

Interactive Catalog Supplements Catalog PDFs

If you need detailed product information, or help choosing the right product for your application, see our [Interactive Catalog](#). Use the [Interactive Catalog](#) to access the most complete and up-to-date information available.

The [Interactive Catalog](#) provides an extensive collection of product specifications, application data, and technical literature that can be searched based on criteria you select.

This PDF catalog information was published in November 2000.



Sensing and Control
[Interactive
Catalog...](#)

**Click this icon to try
the Interactive Catalog.**

Sensing and Control

Honeywell Inc.

11 West Spring Street

Freeport, IL 61032

With seal boot, right-hand actuator

DPDT	Left	DTF2-2RN-LH	2.050±.040	2.5	.141	.156	.060
------	------	--------------------	------------	-----	------	------	------

ROLLER PLUNGER ACTUATED SWITCHES



Without seal boot,
right-hand actuator

FLEXIBLE ROD ACTUATED SWITCHES



With seal boot,
right-hand actuator

ORDER GUIDE

Description	Elec. Rating	Actuator Position†	Catalog Listing	O.P. mm in.	O.F. max. N lbs.	P.T. max. mm in.	O.T. min. mm in.	D.T. max. mm in.
Without seal boot.	SPDT	D	Right	64,69	11,1	2,39	3,96	0,25
			Left	2,547	2,5	.094	.156	.010
Field adjustable 360° horizontally.	Has O-ring actuator seal SPDT	D	Right	64,69	35,6	3,18	4,75	0,19
			Left	2,547	8	.125	.187	.0075

ORDER GUIDE

Description	Elec. Rating	Actuator Position†	Catalog Listing	P.T. max.
With seal boot. Operates from any direction, except direct pull. SPDT.	D	Right	BAF1-2RN18-RH	15°
		Left	BAF1-2RN18-LH	

N = Newtons
† When looking at nameplate.

Characteristics: O.F. — Operating Force; P.T. — Pretravel; O.T. — Overtravel; D.T. — Differential Travel; O.P. — Operating Position

For rapid response – off the shelf service, all **bold face** listings are normally stocked items.



With seal boot,
right-hand actuator

Has 1.5 inch (38.1 mm) diameter button.

Description	Elec. Rating	Actuator Position†	Catalog Listing	O.F. max. N lbs.
With seal boot. Field adjustable 360° horizontally and 180° vertically. SPDT.	D	Right	BAF1-2RN4-RH	8,90 2
		Left	BAF1-2RN4-LH	

MAINTAINED CONTACT (RESET) PLUNGER ACTUATED SWITCHES



With seal boots,
right-hand actuator

ORDER GUIDE

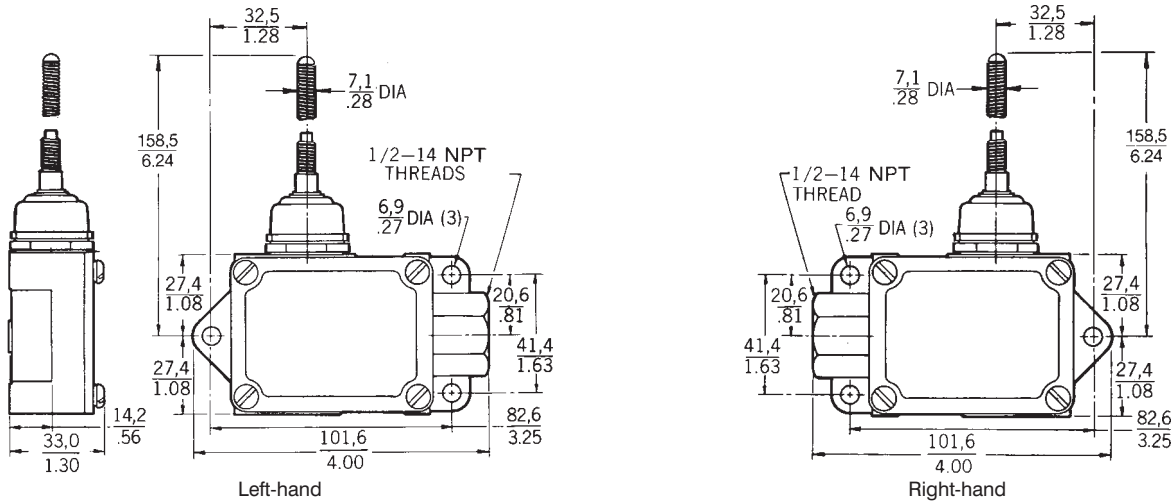
Contact transfer is maintained after either plunger is operated. (Top plunger provides more accurate and uniform characteristics.)

Description	Elec. Rating	Actuator Position†	Catalog Listing	O.F. max. N lbs.	P.T. max. mm in.	O.T. min. mm in.
With seal boot on both top and bottom (reset) plungers. SPDT.	D	Right	BAF1-3RNX1	7,79 1.75	2,39 .094	4,45 .219

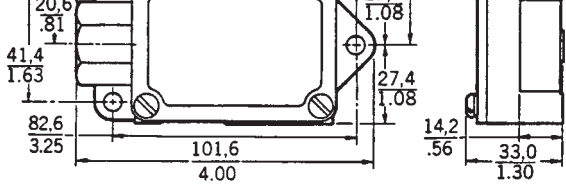
N = Newtons
† When looking at nameplate.

Characteristics: O.F. — Operating Force; P.T. — Pretravel; O.T. — Overtravel; D.T. — Differential Travel

COIL SPRING (with seal boot)

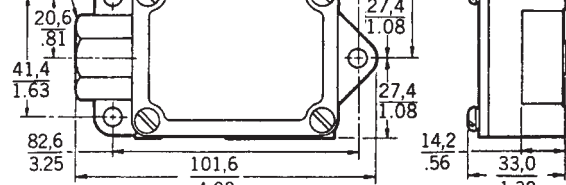


Key: $\frac{0,0}{0.00} = \text{mm}$
 $\frac{0.00}{0.00} = \text{inches}$



Right-hand *28.2 on DTF2 Types
1.11

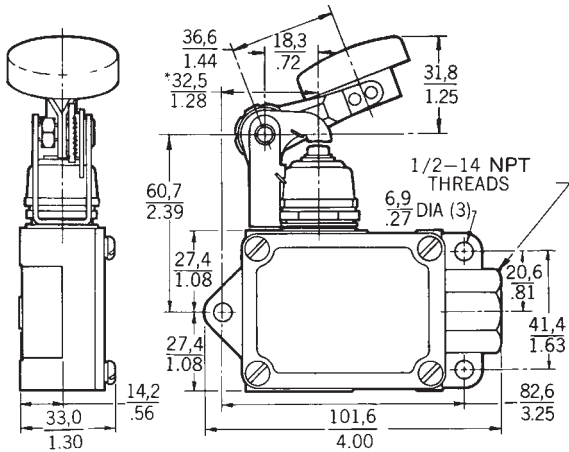
Right-hand *28.2 on DTF2 Types
1.11



Right-hand

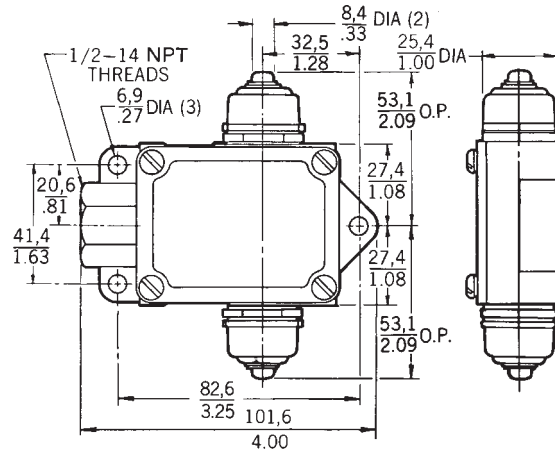
Right-hand

MANUAL (with seal boot)



Left-hand *28.2 on DTF2 Types
1.11

**PLUNGER (Reset)
(with seal boot)**



Right-hand

X-ON Electronics

Largest Supplier of Electrical and Electronic Components

Click to view similar products for [Switch Actuators](#) category:

Click to view products by [Honeywell](#) manufacturer:

Other Similar products are found below :

[LW1B-A0L](#) [LW1B-M0](#) [680-4000-00](#) [704.012.618](#) [704.411.018I](#) [704.412.0](#) [704.633.1](#) [704.730.1](#) [704.733.0](#) [84-1221.7](#) [862.8102](#) [G6083](#)
[9PA24](#) [A0107X](#) [A019307](#) [ADC-418G](#) [12MA7](#) [ASDHYY-B](#) [HW1F-3G](#) [HW1M-L2222](#) [HW4S-31L](#) [200-.704-00](#) [JS-10008](#) [JS-10083](#) [JS-10118](#) [JS-10133](#) [JS-10277](#) [JS-10389](#) [JS-150](#) [JS-552](#) [JS-555](#) [JS-68](#) [JS-6-B](#) [JS-91](#) [JS-94](#) [22-211.011](#) [9001KXSDC](#) [92-458.500](#) [SAPT654133](#)
[2PA3](#) [SW53AA2](#) [302561](#) [LW2L-A0](#) [3E-12.0](#) [468-10243-001](#) [51-030.005](#) [JM-13](#) [JS-10120](#) [JS-138-B](#) [JS-143-B](#)